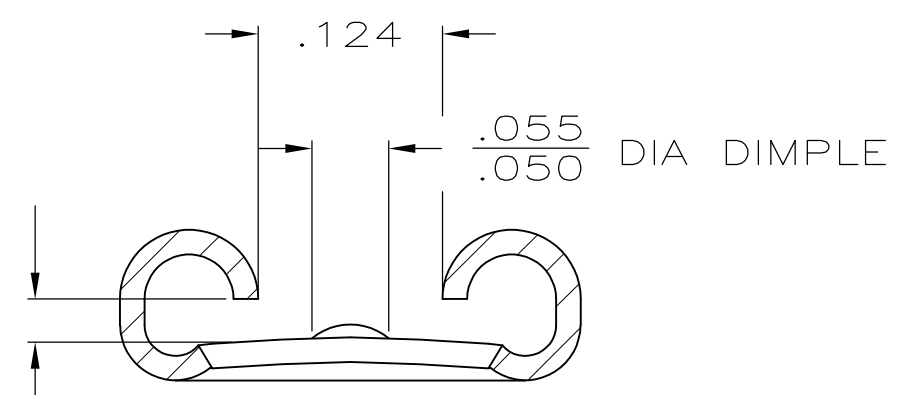
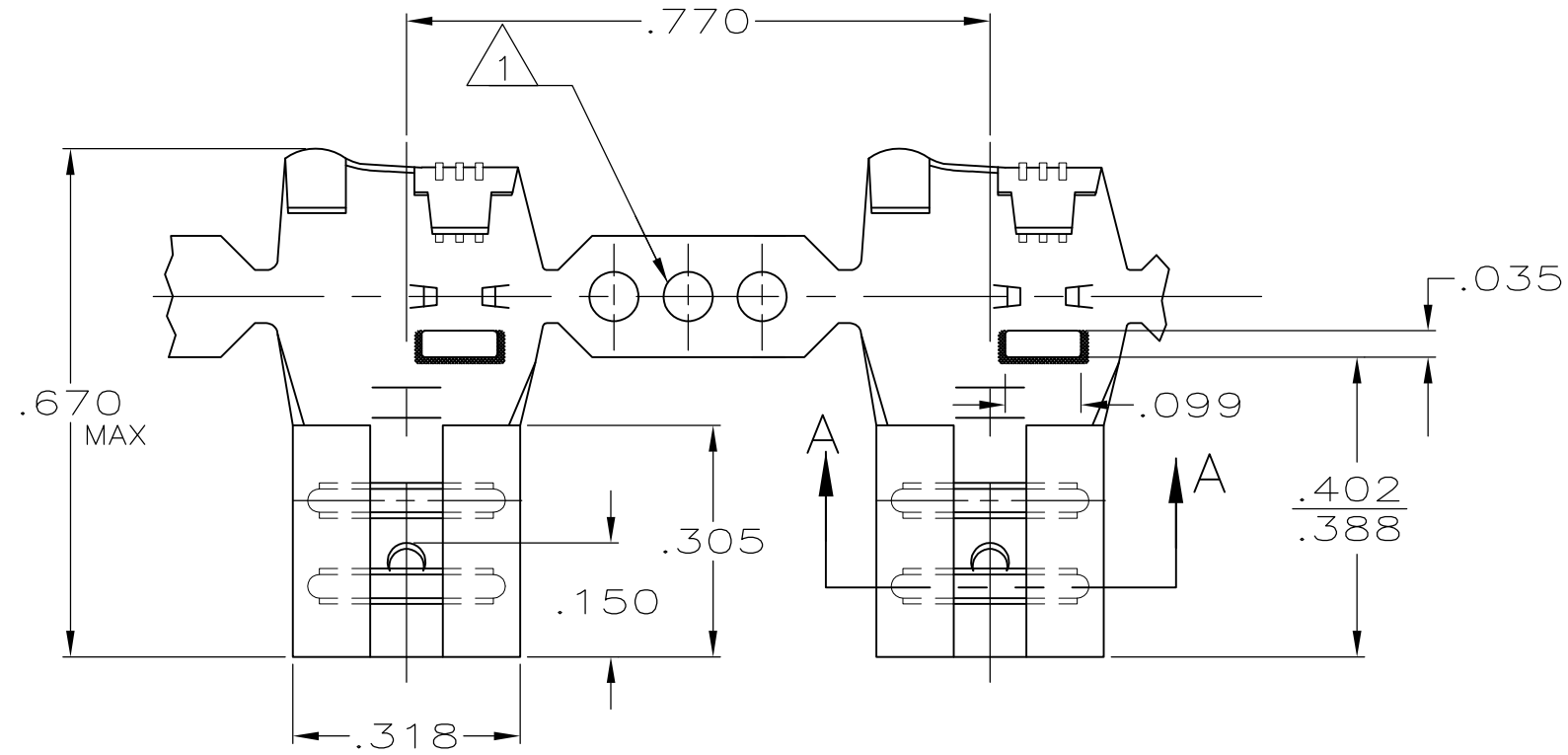


THIS DRAWING IS UNPUBLISHED. RELEASED FOR PUBLICATION
 © COPYRIGHT - By - ALL RIGHTS RESERVED.

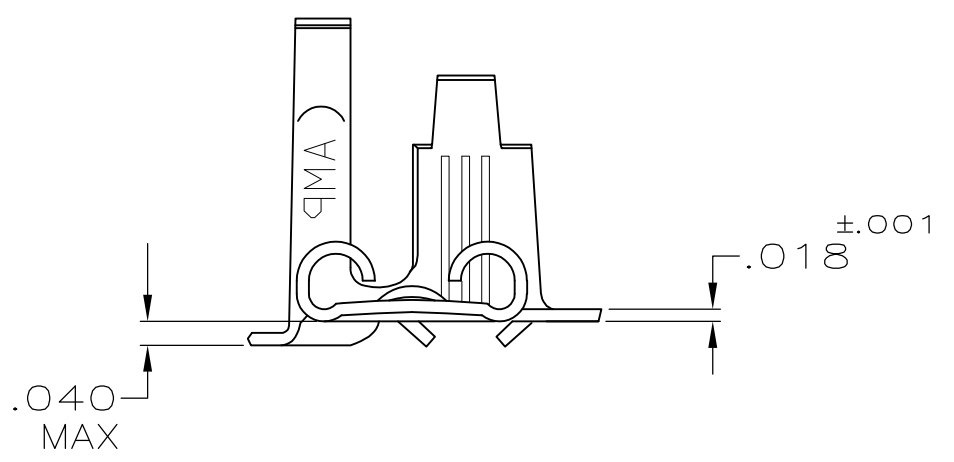
LOC	DIST	REVISIONS			
P	LTR	DESCRIPTION	DATE	DWN	APVD
AF	50	V	REVISED PER ECR-12-013445	18OCT12	KH PD

△ 1 SINGLE OR DOUBLE PILOT HOLE OPTIONAL




FITS .250 SERIES FASTON TAB

SECTION A-A
SCALE 8:1



.110-.210	18-12	.032	41801
INSULATION RANGE	WIRE SIZE	MATING TAB THK ±.001	PART NO.

THIS DRAWING IS A CONTROLLED DOCUMENT.		DWN JR RUTH 7/12/89	 TE Connectivity	
DIMENSIONS: INCHES		CHK MS FEHER 7/12/89		
TOLERANCES UNLESS OTHERWISE SPECIFIED:		APVD C MEYERS 7/12/89	NAME RECEPTACLE, FASTON, FLAG, .250 SERIES	
0 PLC ± - 1 PLC ± - 2 PLC ± - 3 PLC ± .015 4 PLC ± - ANGLES ± -		PRODUCT SPEC -	RESTRICTED TO -	
MATERIAL BRASS		FINISH -	APPLICATION SPEC -	SIZE A3
		WEIGHT -	CAGE CODE 00779	DRAWING NO C-41801
		CUSTOMER DRAWING	SCALE 4:1	SHEET 1 OF 1
			REV V	

Mouser Electronics

Authorized Distributor

Click to View Pricing, Inventory, Delivery & Lifecycle Information:

[TE Connectivity:](#)

[41801](#) [41801 \(Mouser Reel\)](#)