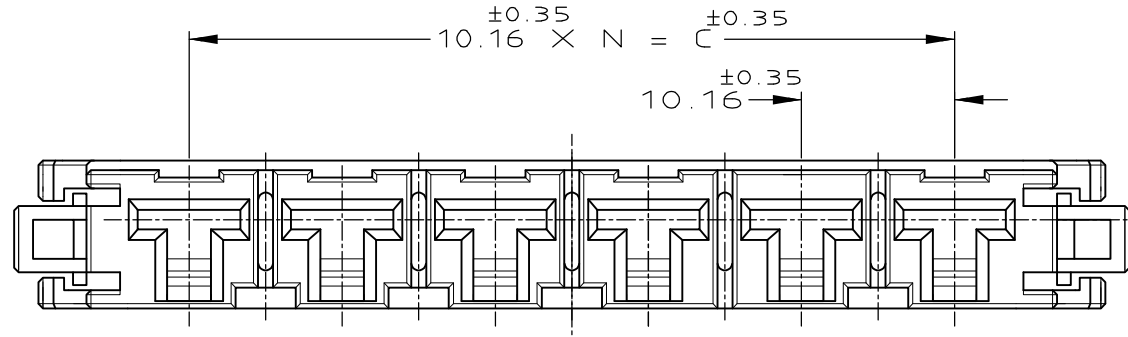
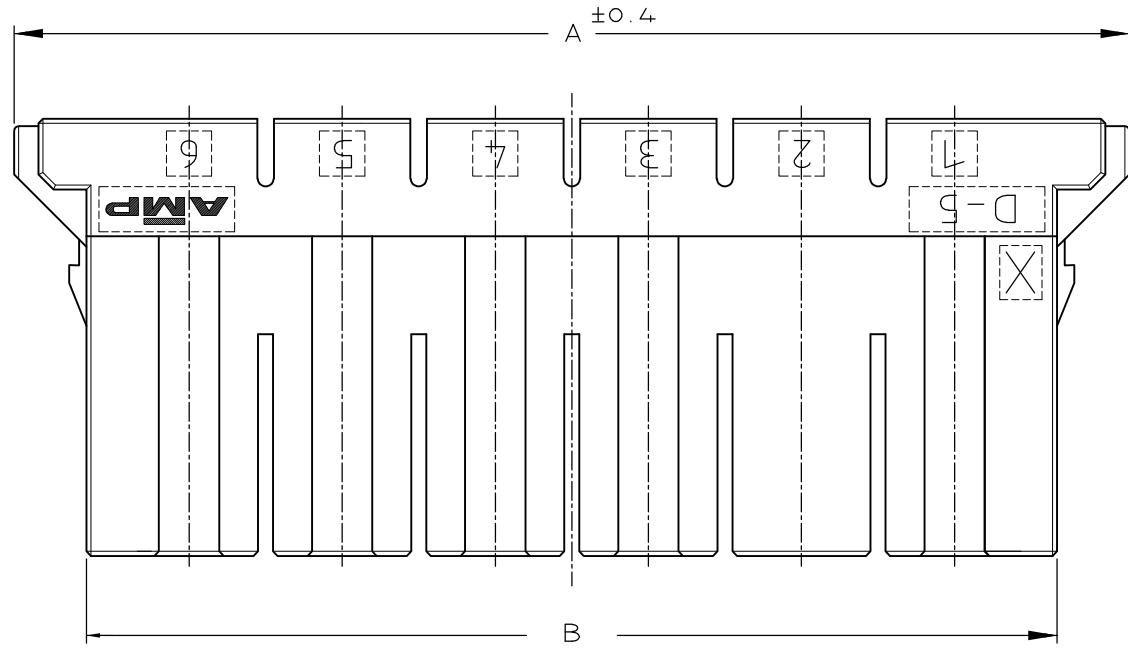
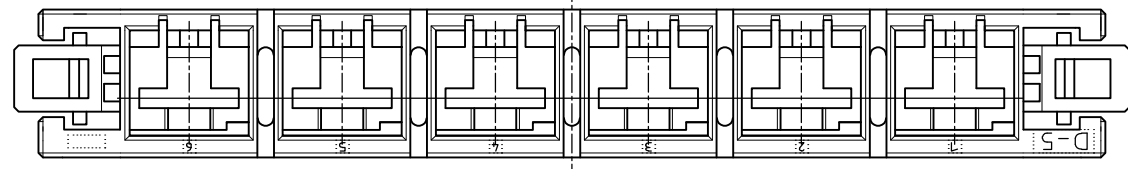
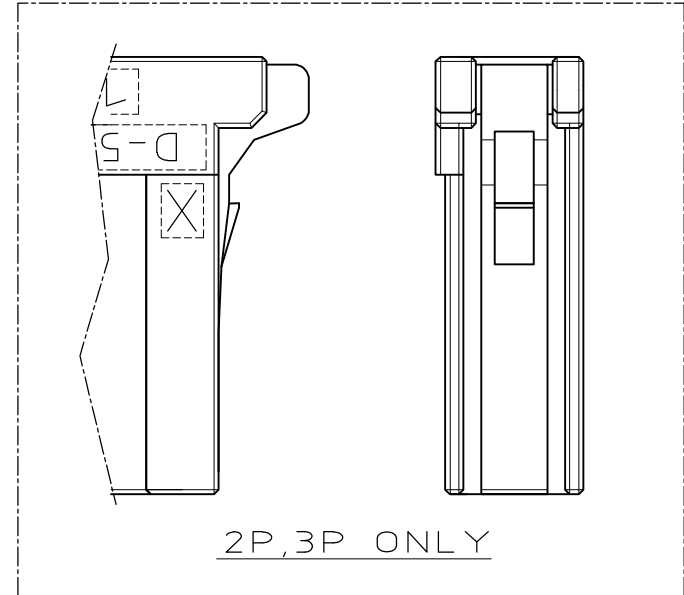
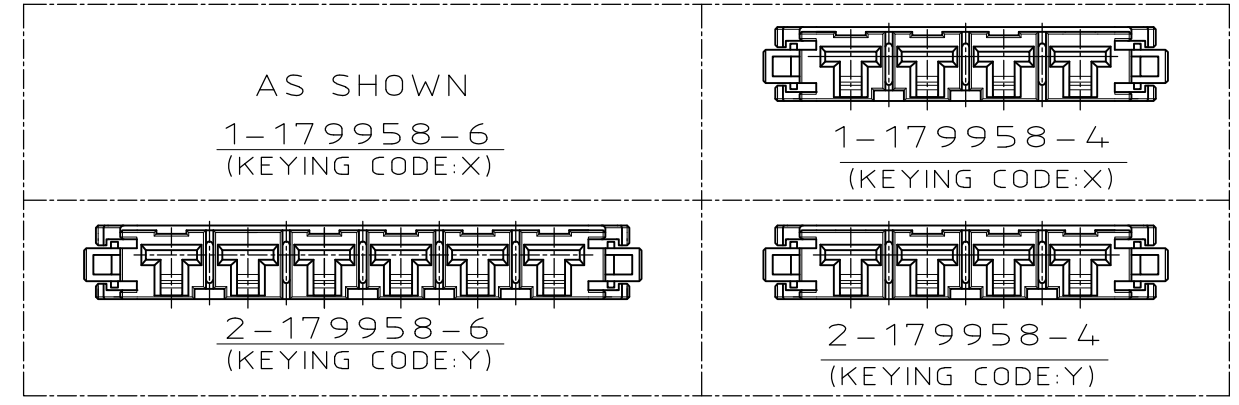


THIS DRAWING IS UNPUBLISHED. RELEASED FOR PUBLICATION  
 © COPYRIGHT - By Tyco Electronics Japan G.K. ALL RIGHTS RESERVED.

P		LTR		DESCRIPTION	DATE	DWN	APVD
	H			REVISED PER ECR-17-010033	12JUL2017	R.I	E.T



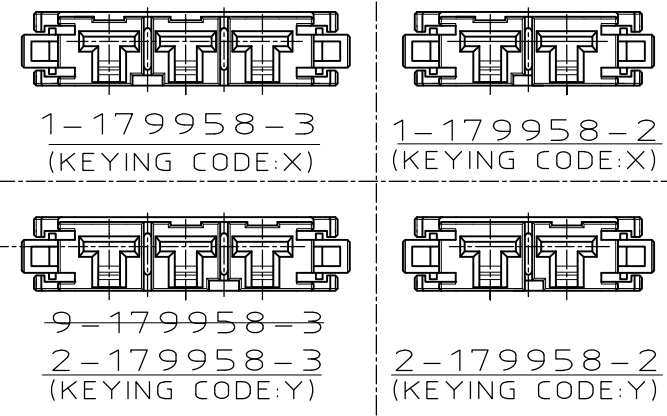
1-179958-6  
(KEYING CODE:X)



- 注記
- ① 材料 ハウジングガラス入り熱可塑性ポリエステル樹脂(94V-0),色 黒
  - ② ハウジング全面にテフロン塗装のこと
  - ③ 製品規格 : 108-5453

- NOTES
- ① MATERIAL:HOUSING:GLASS FILED THERMO PLASTIC POLYESTER(94V-0),COLOR:BLACK
  - ② TO COAT ALL SURFACE OF HOUSING WITH TEFLON
  - ③ PRODUCT SPEC :108-5453

FINISH	C	B	A	N	POS	COLOR	P/N
	50.8	64.4	74	5	6	BLACK	2-179958-6
OBSOLETE						BLACK	1-179958-6
							5-179958-4
						BLACK	2-179958-4
OBSOLETE	30.48	44.08	53.68	3	4	BLACK	1-179958-4
OBSOLETE							5-179958-3
						NATURAL	9-179958-3
						BLACK	2-179958-3
	20.32	33.92	45.92	2	3	BLACK	1-179958-3
						BLACK	2-179958-2
	10.16	23.76	35.76	1	2	BLACK	1-179958-2



THIS DRAWING IS A CONTROLLED DOCUMENT.

DIMENSIONS: mm

TOLERANCES UNLESS OTHERWISE SPECIFIED:

0 PLC	± 10	± 0.2
1 PLC	± 30	± 0.25
2 PLC	± 100	± 0.3
3 PLC	±	
4 PLC	±	
ANGLES	± 3'	
FINISH		

MATERIAL

APVD: S.MANABE, 23MAR1995

CHK: S.MANABE, 23MAR1995

DWN: Y.ISHIKAWA, 22MAR1995

PRODUCT SPEC: S.MABABE, 23MAR1995

APPLICATION SPEC

WEIGHT: 0

CUSTOMER DRAWING

**STE** TE Connectivity

SINGLE ROW REC HSG  
DYNAMIC D-5200

SIZE: A3 CAGE CODE: 00779 DRAWING NO: C-179958

RESTRICTED TO: -

SCALE: 2:1 SHEET: 1 OF 1 REV: H

# Mouser Electronics

Authorized Distributor

Click to View Pricing, Inventory, Delivery & Lifecycle Information:

[TE Connectivity:](#)

[2-179958-6](#)