

THIS DRAWING IS UNPUBLISHED.
QUESTO DISEGNO NON DEVE ESSERE DIVULGATO O RIPRODOTTO

RELEASED FOR PUBLICATION
E' CONSENTITA LA DIVULGAZIONE

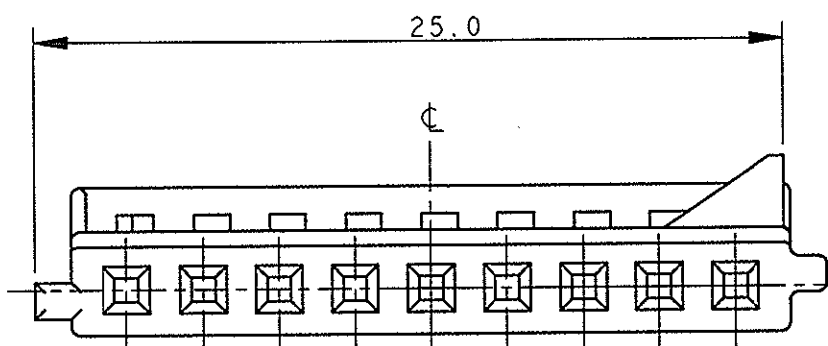
© COPYRIGHT 19 BY TYCO ELECTRONICS CORPORATION. ALL RIGHTS RESERVED.
TUTTI I DIRITTI SONO RISERVATI

LOC 1
DIST -

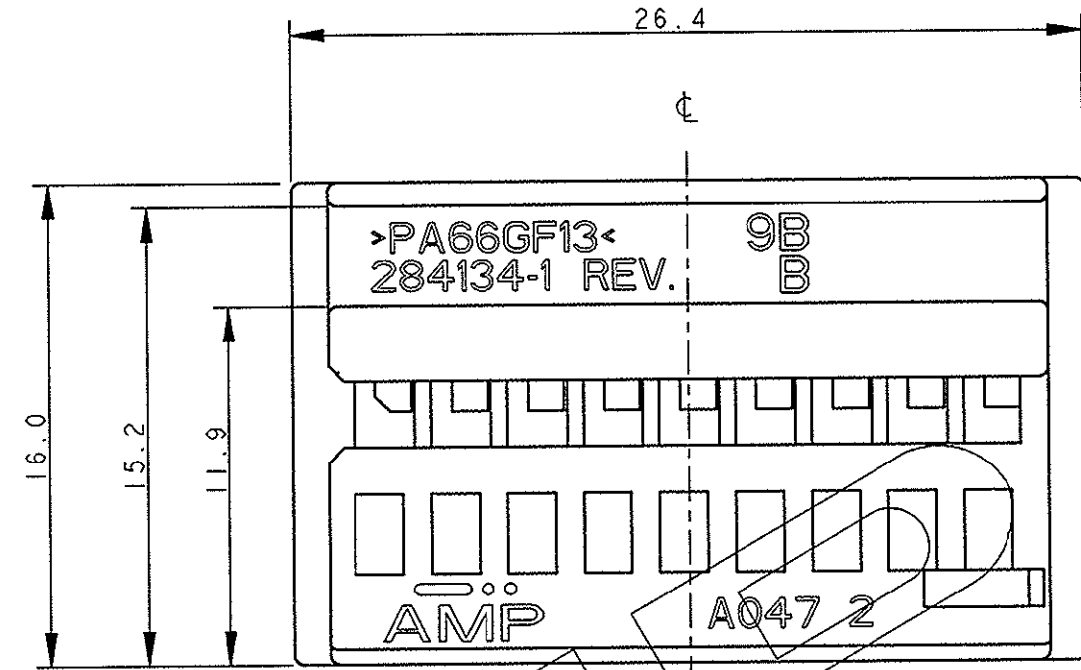
REVISIONS
REVISIONI

| P | LTR REV | DESCRIPTION DESCRIZIONE | DATE DATA | DWN DIS. | APVD APP. |
|----|------------|--|--------------|-------------|--------------|
| B | | (FIRST ISSUE) PRIMA EMISSIONE ET00-0364-99 | 18AUG98 | G.S. | A.G. |
| B1 | | RELEASED FOR PRODUCTION (ET00-0109-00) | 24MAY00 | M.S. | O.C. |
| B2 | | ADDED P/N -5 AND -6 (ET00-0199-03) | 06NOV2003 | F.A. | O.C. |
| B3 | | RELEASED FOR PROD. P/N -5/-6 ET00-0109-04 | 16JUN04 | F.A. | O.C. |

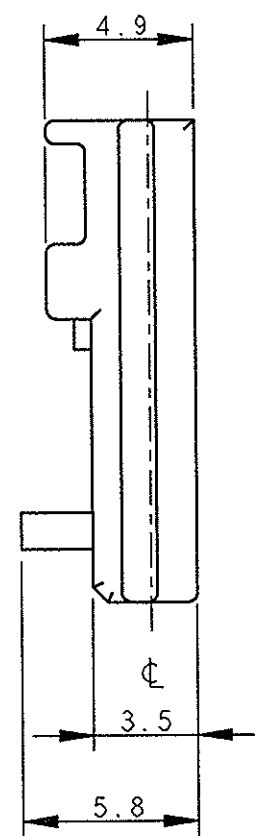
D



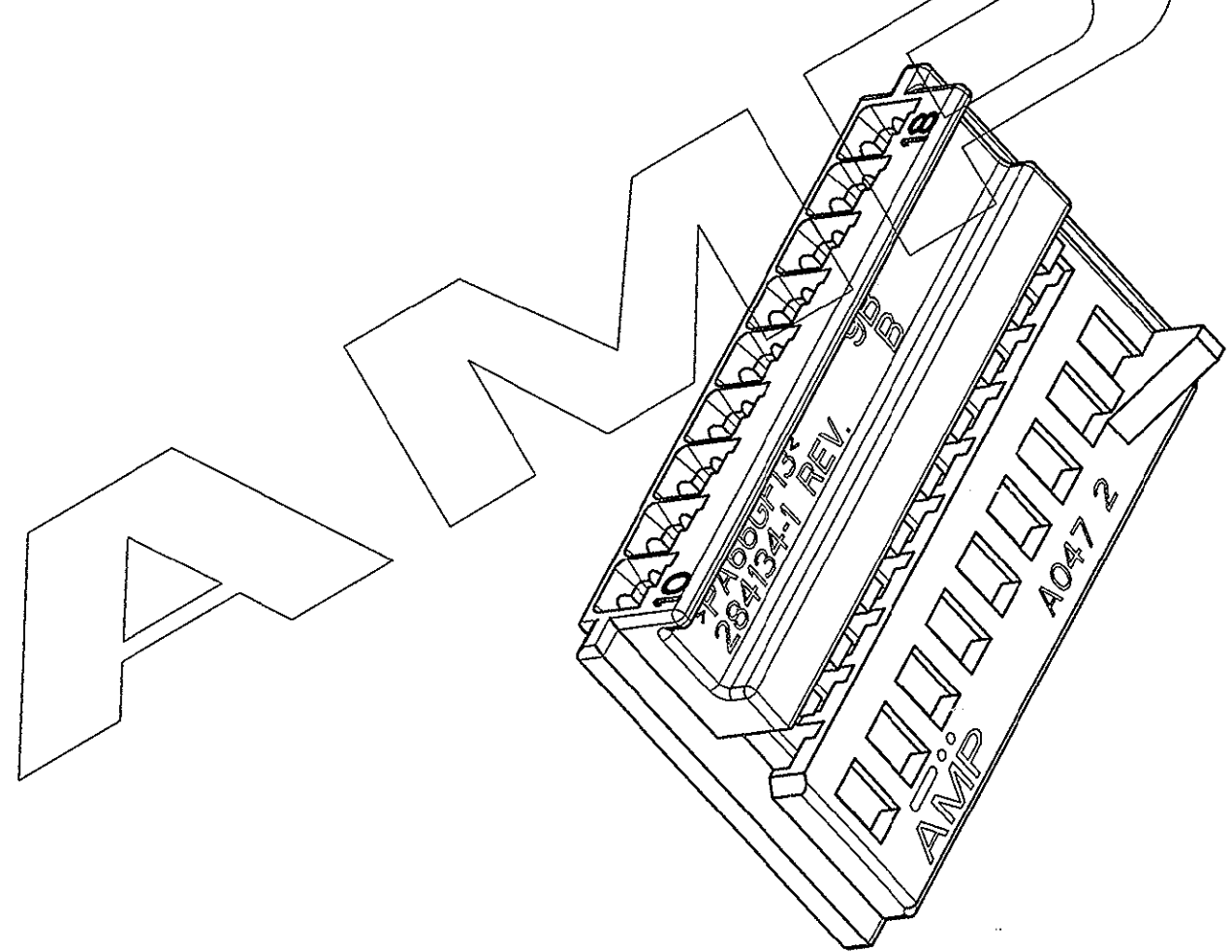
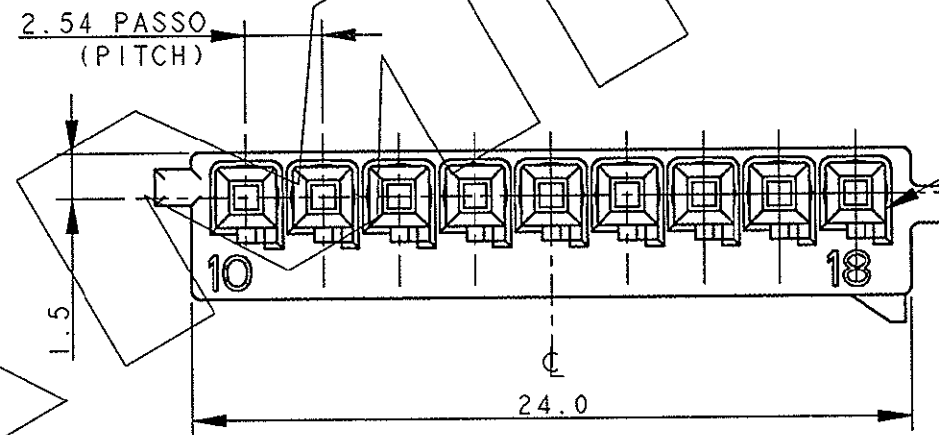
C



B



A



9 CAV. FOR MICRO QUADLOK CONTACT P/N 928999-1
(9 CAV. PER CONTATTI MICRO QUADLOK P/N 928999-1)

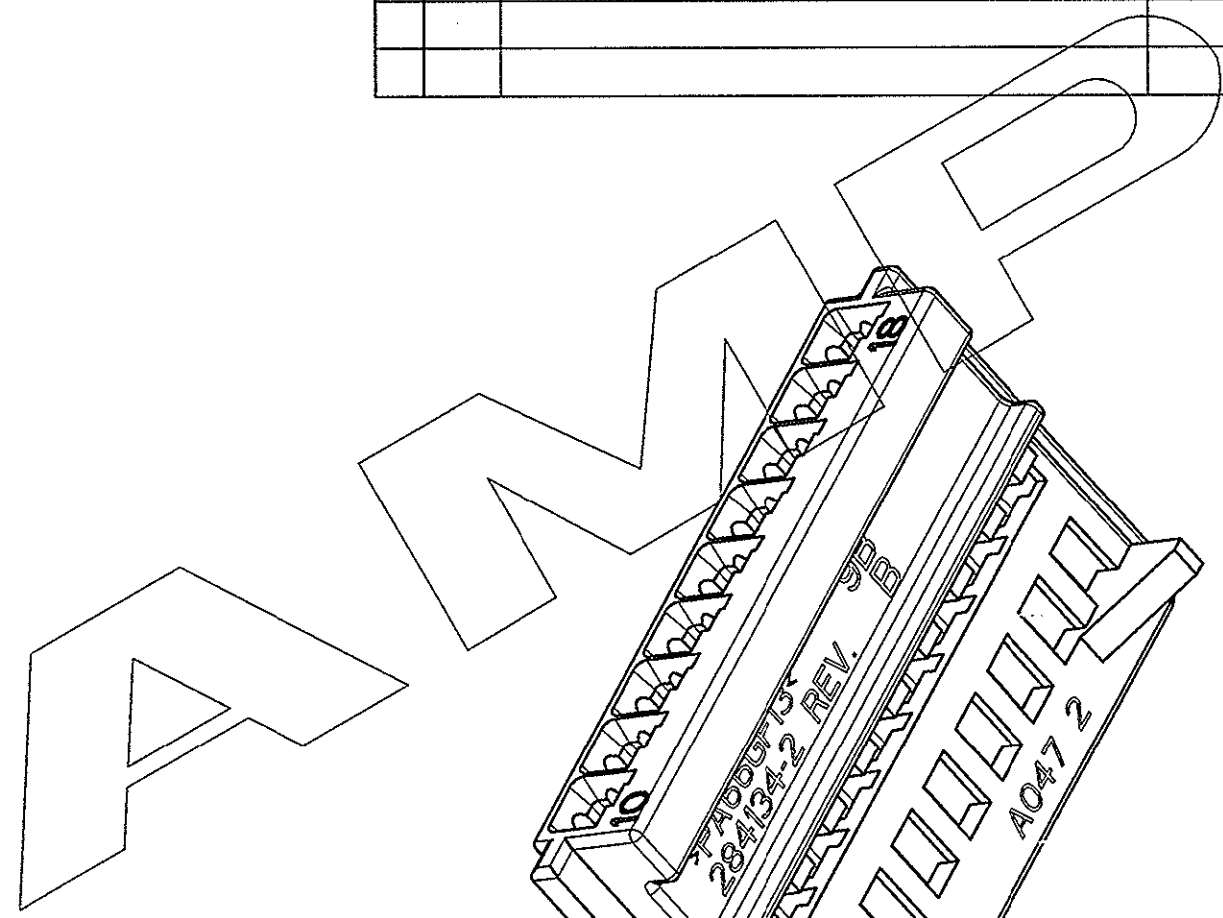
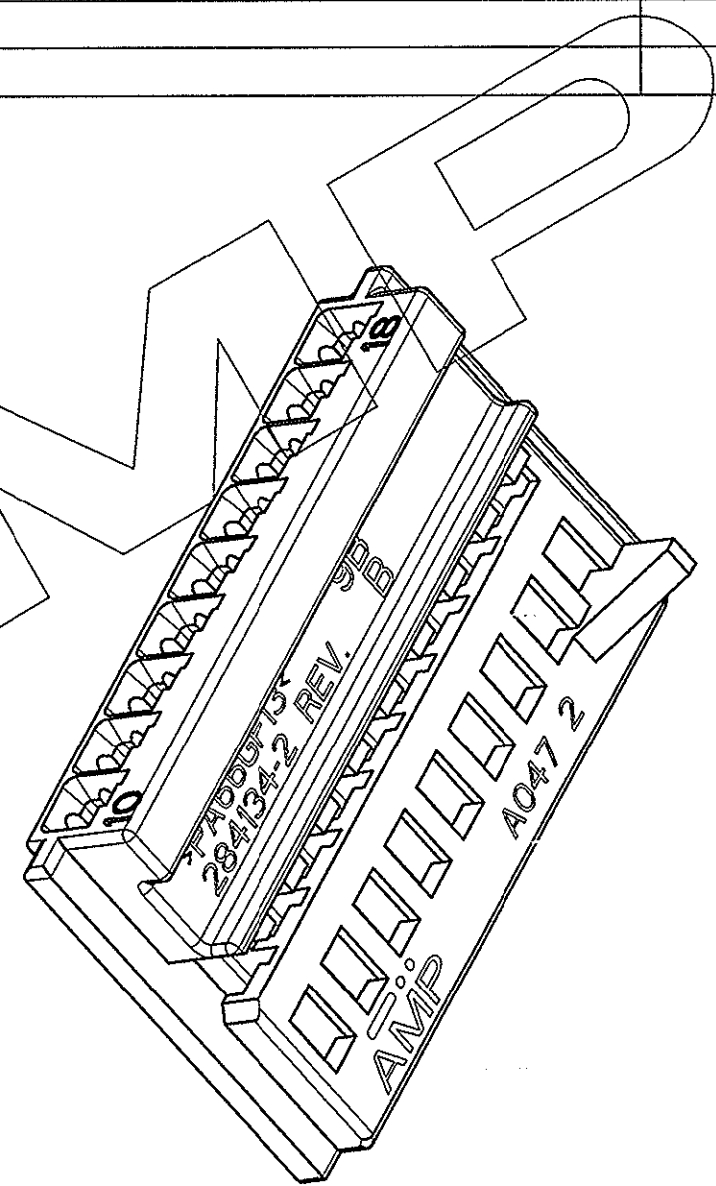
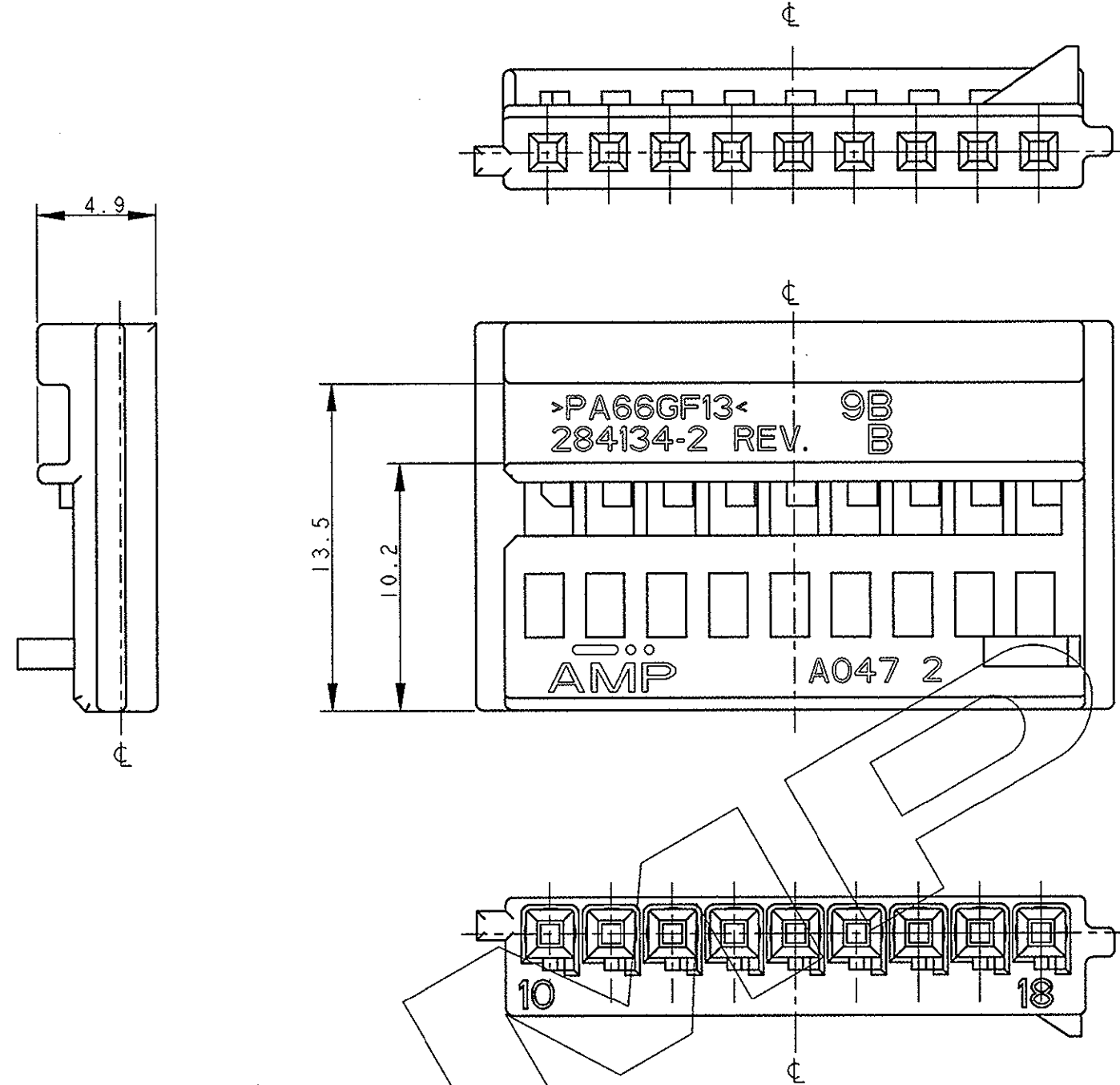
NOTES: (NOTE:)

⚠ HOUSING MATERIAL: PA 6.6 G.F COLOUR BLACK
(MATERIALE BLOCCHETTO: PA 6.6 CARICA VETRO COLORE NERO)

284134-1 COME MOSTRATO (AS SHOWN)

| | | | | | |
|---|--|--|--|--|--|
| <small>THIS DRAWING IS A CONTROLLED DOCUMENT FOR TYCO ELECTRONICS CORPORATION IT IS SUBJECT TO CHANGE AND THE CONTROLLING ENGINEERING ORGANIZATION SHOULD BE CONTACTED FOR THE LATEST REVISION.</small> <small>QUESTO DISEGNO È UN DOCUMENTO DI PROPRIETÀ E RESPONSABILITÀ DELL' AMP INCORPORATED. È SOGGETTO A VARIAZIONI. PER OTTENERE L'ULTIMA REVISIONE DEL DISEGNO CONTATTARE L'UFFICIO TECNICO RESPONSABILE.</small> | | DWN/DIS. 16JUN97 G. STELLA CHK/CONT. 16JUN97 A. GENTA APVD/APP. 16JUN97 A. BRUNI | | tyco Electronics AMP Italia S.p.A. Collegno, C.so F.lli Cervi 15 | |
| DIMENSIONS: DIMENSIONI: mm | | TOLERANCES UNLESS OTHERWISE SPECIFIED: TOLLERANZE: SE NON DIVERSAMENTE SPECIFICATO 0 PLC/DEC ±0.3 1 PLC/DEC ±0.3 2 PLC/DEC ±0.3 3 PLC/DEC ± 4 PLC/DEC ± ANGLES/ANGOLI ±1° | | NAME NONE 9 POS. PLUG HOUSING FOR MICRO QUADLOK CRIMP CONTACT | |
| MATERIAL / MATERIALE ⚠ | | FINISH FINITURA ⚠ | | PRODUCT SPEC SPEC DI PRODOTTO 108-20182 APPLICATION SPEC SPEC DI APPLICAZIONE - | |
| | | WEIGHT PESO - | | SIZE A3 CAGE CODE 00779 DRAWING NO C-284134 NUMERO | |
| | | CUSTOMER DRAWING DISEGNO PER CLIENTE SOLO PER RIFERIMENTO | | RESTRICTED TO - | |
| | | SCALE SCALA 4:1 | | SHEET FOGLIO 1 OF 5 REV B3 | |

| LOC | DIST | REVISIONS REVISIONI | | | |
|-----|---------|-----------------------------|-----------|----------|-----------|
| P | LTR REV | DESCRIPTION DESCRIZIONE | DATE DATA | DWN DIS. | APVD APP. |
| | - | VEDI FOGLIO 1 (SEE SHEET 1) | - | - | - |
| | | | | | |
| | | | | | |



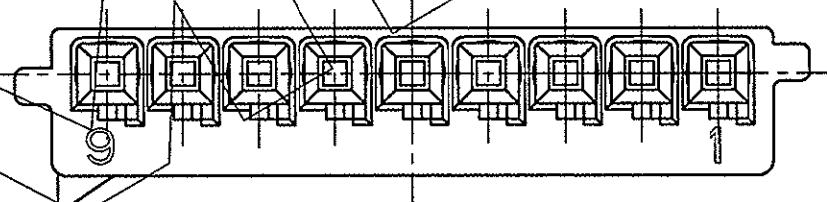
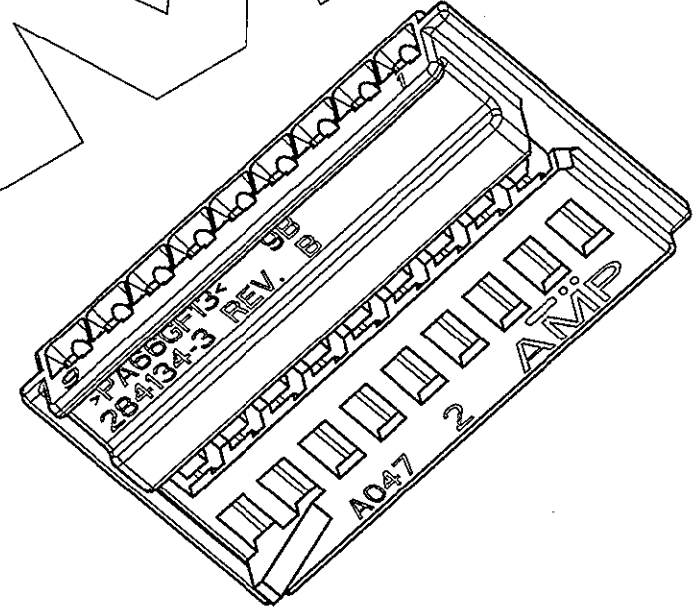
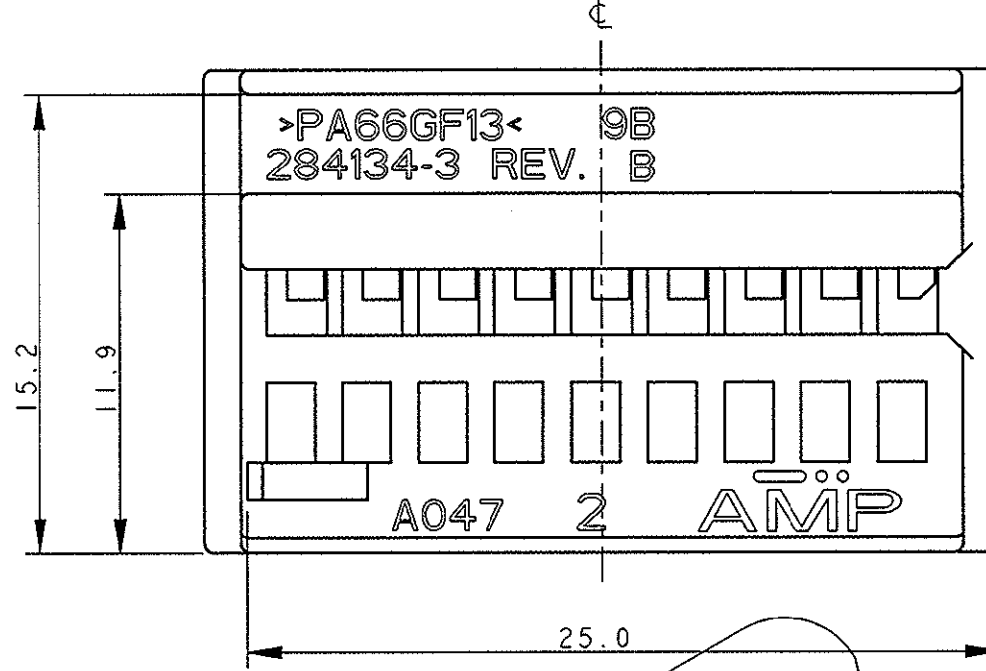
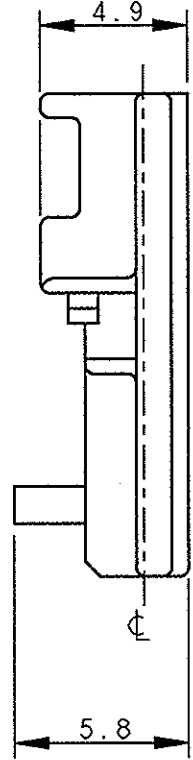
NOTES: (NOTE:)

- 1) HOUSING MATERIAL: PA 6.6 G.F COLOUR GRAY (MATERIALE BLOCCETTO: PA 6.6 CARICA VETRO COLORE GRIGIO)
- 2) FOR MISSING DIMENSION AN NOTES SEE P/N 284134-1 SHEET 1 (PER NOTE E DIMENSIONI MANCANTI VEDI P/N 284134-1 FOGLIO 1)

284134-2 COME MOSTRATO (AS SHOWN)

| | | | | | |
|--|--|---|--|---|--|
| <small>THIS DRAWING IS A CONTROLLED DOCUMENT FOR TYCO ELECTRONICS CORPORATION IT IS SUBJECT TO CHANGE AND THE CONTROLLING ENGINEERING ORGANIZATION SHOULD BE CONTACTED FOR THE LATEST REVISION.</small> <small>QUESTO DISEGNO È UN DOCUMENTO DI PROPRIETÀ E RESPONSABILITÀ DELL'AMP INCORPORATED. È SOGGETTO A VARIAZIONI. PER OTTENERE L'ULTIMA REVISIONE DEL DISEGNO CONTATTARE L'UFFICIO TECNICO RESPONSABILE.</small> | | DWN/DIS. 16JUN97 G. STELLA CHK/CONT. 16JUN97 A. GENTA APVD/APP. 16JUN97 A. BRUNI | | tyco Electronics AMP Italia S.p.A. Collegno, C.so F.lli Cervi 15 | |
| DIMENSIONS: DIMENSIONI: mm | | TOLERANCES UNLESS OTHERWISE SPECIFIED: TOLLERANZE: SE NON DIVERSAMENTE SPECIFICATO 0 PLC/DEC ±0.3 1 PLC/DEC ±0.3 2 PLC/DEC ±0.3 3 PLC/DEC ± 4 PLC/DEC ± ANGLES/ANGOLI ±1° | | NAME: 9 POS. PLUG HOUSING FOR MICRO QUADLOK CRIMP CONTACT PRODUCT SPEC SPEC DI PRODOTTO: 108-20182 APPLICATION SPEC SPEC DI APPLICAZIONE: | |
| MATERIAL MATERIALE: | | FINISH FINITURA: | | SIZE: A3 CAGE CODE: 00779 DRAWING NO: C-284134 NUMERO: | |
| CUSTOMER DRAWING | | DISEGNO PER CLIENTE SOLO PER RIFERIMENTO | | SCALE: 4:1 SHEET: 2 OF 5 REV: B3 | |

| LOC | DIST | REVISIONS | | | |
|-----|------|-----------------------------|------|-----|------|
| P | LTR | DESCRIPTION | DATE | DWN | APVD |
| - | - | VEDI FOGLIO 1 (SEE SHEET 1) | - | - | - |
| | | | | | |
| | | | | | |

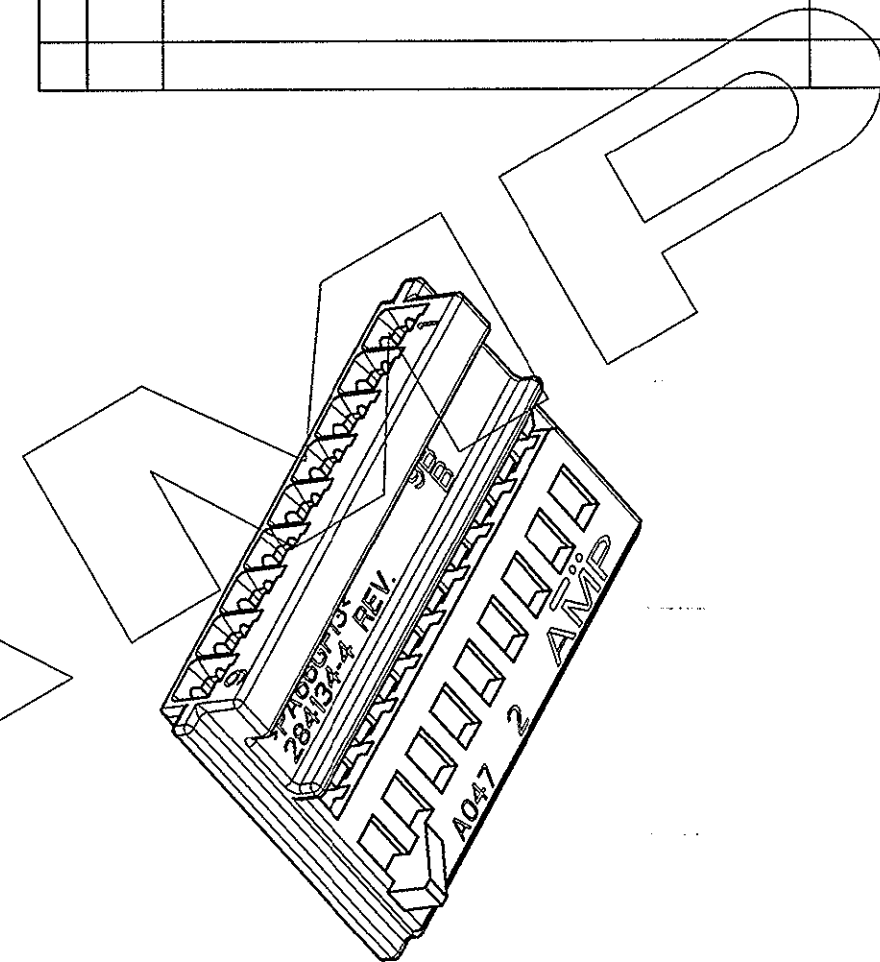
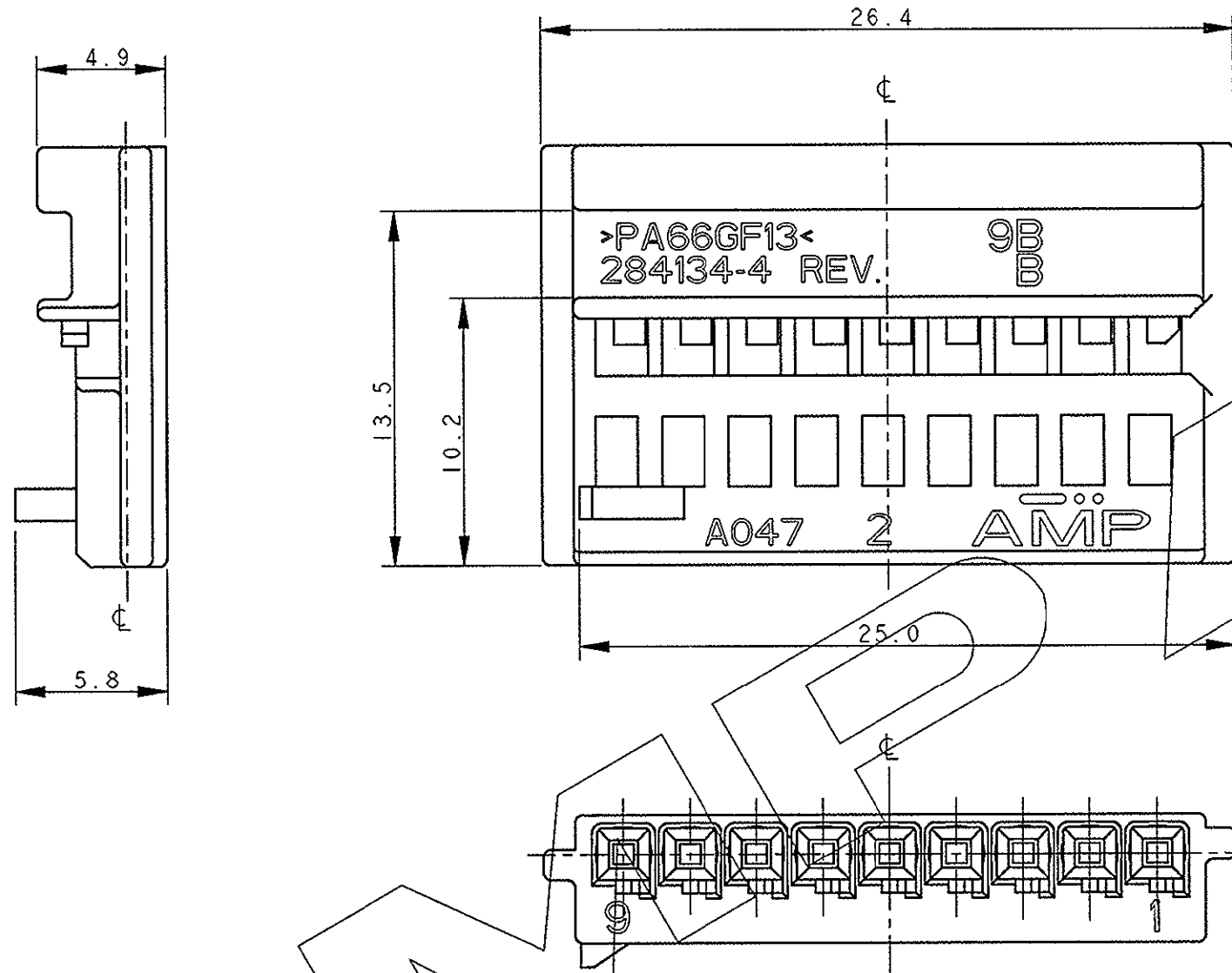


NOTES: (NOTE:)
 1) HOUSING MATERIAL: PA 6.6 GLASS FILLED BLUE COLOUR
 (MATERIALE BLOCCHETTO: PA 6.6 CARICATO VETRO COLORE BLUE)
 2) FOR MISSING DIMENSIONS AN NOTES SEE P/N 284134-1 SHEET 1
 (PER NOTE E DIMENSIONI MANCANTI VEDI P/N 284134-1 FOGLIO 1)

284134-3 COME MOSTRATO (AS SHOWN)

| | | | | |
|---|--|--------------------------|---|--------------------|
| <small>THIS DRAWING IS A CONTROLLED DOCUMENT FOR TYCO ELECTRONICS CORPORATION IT IS SUBJECT TO CHANGE AND THE CONTROLLING ENGINEERING ORGANIZATION SHOULD BE CONTACTED FOR THE LATEST REVISION.</small> | | DWN G. STELLA 16JUN97 | tyco AMP Italia S.p.A. Collegno, C.so F.lli Cervi 15 | |
| DIMENSIONS: mm | | CHK A. GENTA 16JUN97 | NAME 9 POS. PLUG HOUSING FOR MICRO QUADLOK CRIMP CONTACT | |
| TOLERANCES UNLESS OTHERWISE SPECIFIED: 0 PLC ± 0.3 1 PLC ± 0.3 2 PLC ± 0.3 3 PLC ± - 4 PLC ± - ANGLES ± 1° | | APVD A. BRUNI 16JUN97 | PRODUCT SPEC 108-20182 | |
| MATERIAL | | PRODUCT SPEC - | APPLICATION SPEC - | RESTRICTED TO - |
| FINISH | | WEIGHT - | SIZE A3 | CAGE CODE 00779 |
| CUSTOMER DRAWING | | | DRAWING NO C-284134 | SCALE 4:1 |
| | | | SHEET 3 | OF 5 |
| | | | REV B3 | |

| P | LTR | DESCRIPTION | DATE | DWN | APVD |
|---|-----|-----------------------------|------|-----|------|
| - | - | VEDI FOGLIO 1 (SEE SHEET 1) | - | - | - |
| | | | | | |
| | | | | | |



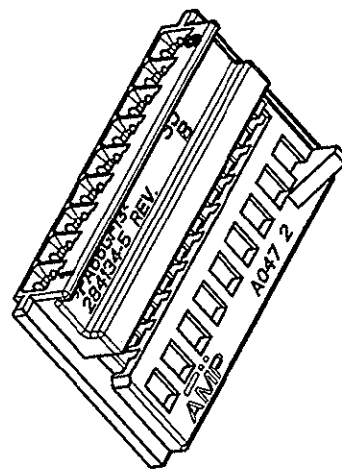
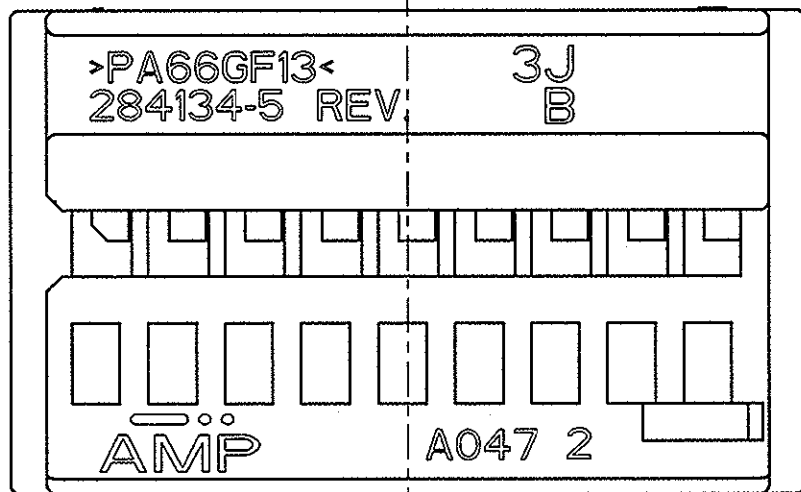
NOTES: (NOTE)

- 1) HOUSING MATERIAL: PA 6.6 GLASS FILLED BROWN COLOUR (MATERIALE BLOCCHETTO: PA 6.6 CARICATO VETRO COLORE MARRONE)
- 2) FOR MISSING DIMENSIONS AN NOTES SEE P/N 284134-1 SHEET 1 (PER NOTE E DIMENSIONI MANCANTI VEDI P/N 284134-1 FOGLIO 1)

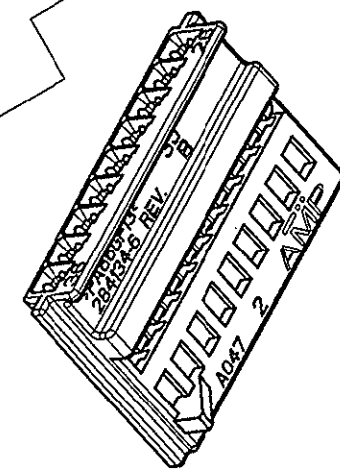
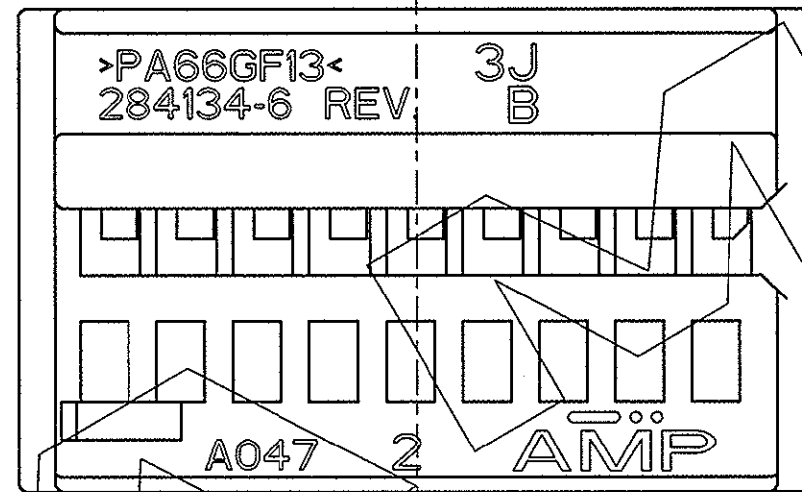
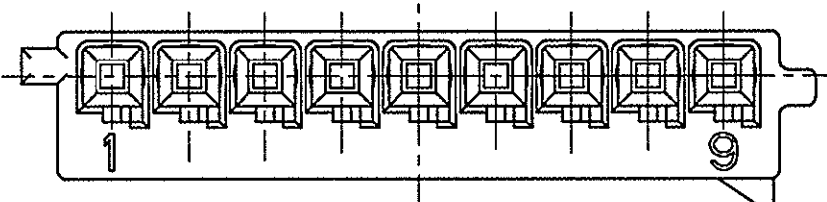
284134-4 COME MOSTRATO (AS SHOWN)

| | | | |
|---|--|--|--|
| <small>THIS DRAWING IS A CONTROLLED DOCUMENT FOR TYCO ELECTRONICS CORPORATION IT IS SUBJECT TO CHANGE AND THE CONTROLLING ENGINEERING ORGANIZATION SHOULD BE CONTACTED FOR THE LATEST REVISION.</small> | | DWN G. STELLA 16JUN97 CHK A. GENTA 16JUN97 APVD A. BRUNI 16JUN97 | tyco Electronics AMP Italia S.p.A. Collegno, C.so F.lli Cervi 15 |
| DIMENSIONS: mm | TOLERANCES UNLESS OTHERWISE SPECIFIED: 0 PLC ± 0.3 1 PLC ± 0.3 2 PLC ± 0.3 3 PLC ± - 4 PLC ± - ANGLES ± 1° | NAME 9 POS. PLUG HOUSING FOR MICRO QUADLOK CRIMP CONTACT | SIZE A3 |
| | MATERIAL | PRODUCT SPEC 108-20182 | CAGE CODE 00779 |
| | FINISH | APPLICATION SPEC - | DRAWING NO C-284134 |
| CUSTOMER DRAWING | | WEIGHT - | RESTRICTED TO - |
| | | SCALE 4:1 | SHEET 4 OF 5 |
| | | | REV B3 |

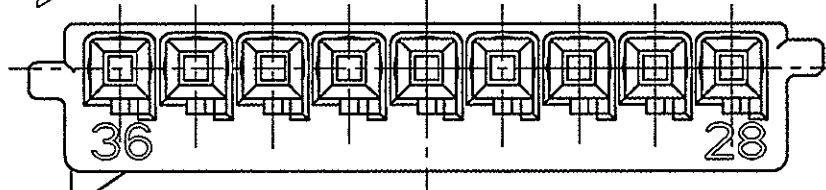
| LOC | DIST | REVISIONS | | | |
|-----|------|-----------------------------|------|-----|------|
| P | LTR | DESCRIPTION | DATE | DWN | APVD |
| A1 | - | - | - | - | - |
| | | VEDI FOGLIO 1 (SEE SHEET 1) | | | |



SCALE 2:1



SCALE 2:1



284134-6 COME MOSTRATO (AS SHOWN)

NOTES: (NOTE)

- 1) HOUSING MATERIAL: PA 6.6 G.F COLOUR GREEN (MATERIALE BLOCCHETTO: PA 6.6 CARICA VETRO COLORE VERDE)
- 2) FOR MISSING DIMENSIONS AN NOTES SEE P/N 284134-1 SHEET 1 (PER NOTE E DIMENSIONI MANCANTI VEDI P/N 284134-1 FOGLIO 1)

284134-5 COME MOSTRATO (AS SHOWN)

NOTES: (NOTE)

- 1) HOUSING MATERIAL: PA 6.6 G.F COLOUR WHITE (MATERIALE BLOCCHETTO: PA 6.6 CARICA VETRO COLORE BIANCO)
- 2) FOR MISSING DIMENSIONS AN NOTES SEE P/N 284134-3 SHEET 3 (PER NOTE E DIMENSIONI MANCANTI VEDI P/N 284134-3 FOGLIO 3)

| | | | | |
|---|--|-------------------------------|--|---------------------|
| <small>THIS DRAWING IS A CONTROLLED DOCUMENT FOR TYCO ELECTRONICS CORPORATION IT IS SUBJECT TO CHANGE AND THE CONTROLLING ENGINEERING ORGANIZATION SHOULD BE CONTACTED FOR THE LATEST REVISION.</small> | | DWN G. STELLA 16 JUN 97 | AMP Italia S.p.A. Collegno, C.so F.lli Cervi 15 | |
| DIMENSIONS: mm | | CHK A. GENTA 16 JUN 97 | NAME 9 POS. PLUG HOUSING FOR MICRO QUADLOK CRIMP CONTACT | |
| TOLERANCES UNLESS OTHERWISE SPECIFIED: 0 PLC ±0.3 1 PLC ±0.3 2 PLC ±0.3 3 PLC ± 4 PLC ± ANGLES ±1° | | APVD A. BRUNI 16 JUN 97 | PRODUCT SPEC 108-20182 | RESTRICTED TO |
| MATERIAL - FINISH - | | APPLICATION SPEC - | WEIGHT - | SIZE A3 |
| | | DRAWING NO 00779 C-284134 | | SCALE 5:1 |
| | | CUSTOMER DRAWING | | SHEET 5 OF 5 REV B3 |

Mouser Electronics

Authorized Distributor

Click to View Pricing, Inventory, Delivery & Lifecycle Information:

[TE Connectivity:](#)

[284134-1](#)