

# Horizontal Test Jack Insulated Standard

## SPECIFICATIONS

**Contact:** Copper aluminum alloy\*

**Finish:** Gold or Silver

**Body:** Nylon 6/6 per ASTM D4066

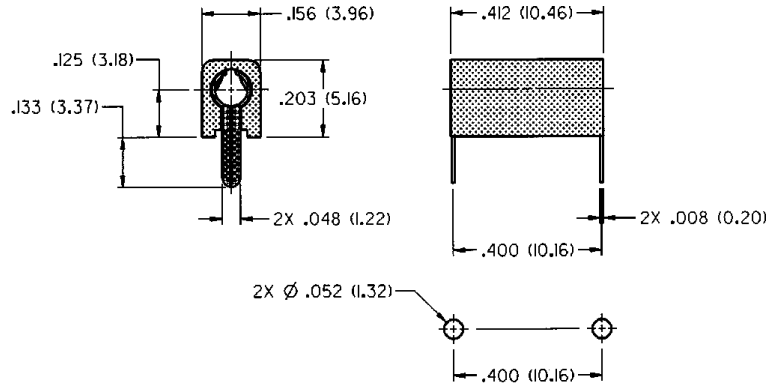
## RATINGS

**Current:** 5 amps

**Breakdown Voltage:** 2100 Vrms minimum

**Contact Resistance:** Gold: 0.005 ohms maximum  
Silver: 0.010 ohms maximum

**Adjacent Jack C:** 1 pF maximum at 1 MHz



INCHES (MILLIMETERS)  
CUSTOMER DRAWINGS AVAILABLE UPON REQUEST

### SILVER PLATING

105-0762-001 Violet

For Standard Tip Plug: .080 (2.00) Diameter

## FEATURES:

- Contact protected from flux and solder
- Probe access from both ends or top
- Nylon UL approved for self extinguishing

\* A new material development that, for this application, meets or exceeds beryllium copper.

MOUNTING HOLE LAYOUT

# Mouser Electronics

Authorized Distributor

Click to View Pricing, Inventory, Delivery & Lifecycle Information:

[Cinch Connectivity Solutions:](#)

[105-0762-001](#)