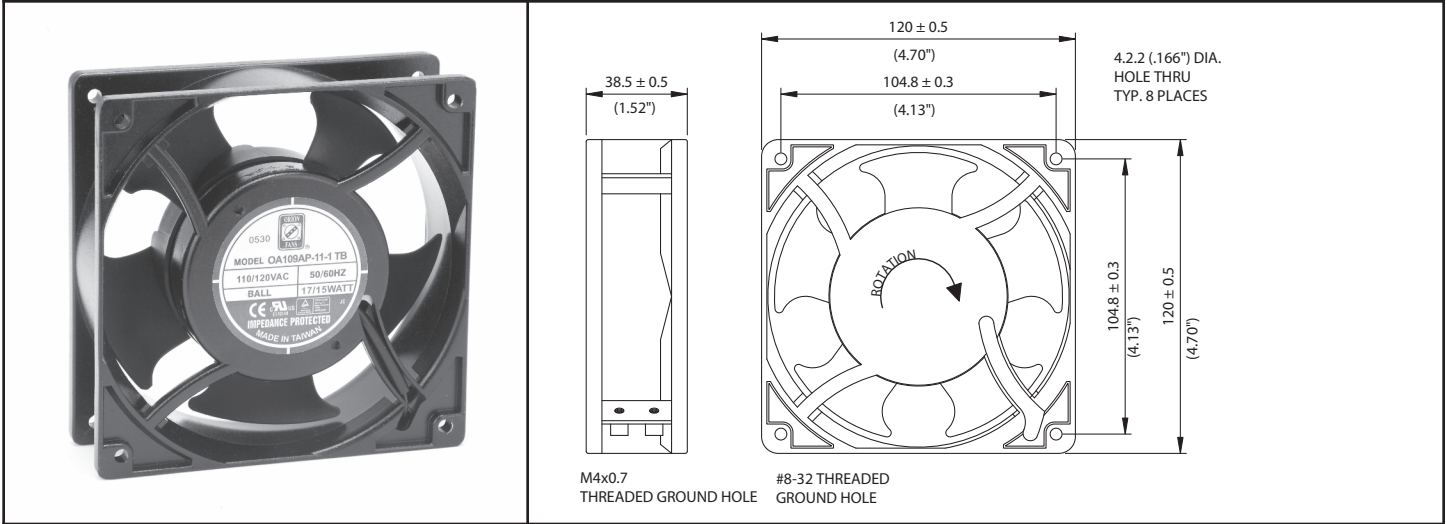


OA109 Series



AC Fan - 115V, 230V
120x38mm (4.7"x 1.5")



Frame	Diecast Aluminum	<p><u>Operating Temperature</u> Ball Bearing -20C ~ +80C Sleeve Bearing -10C ~ +50C Storage Temp -40C ~ +100C</p> <p><u>Life Expectancy</u> Ball Bearing 60,000 hours (L10 at 40C) Sleeve Bearing 30,000 hours (L10 at 40C)</p> <p>Weight: ~ 1.12 lbs.</p> <p>m0</p>	
Impeller	PBT, UL94V-0 plastic		
Connection	2x 300mm Lead wires (22AWG) or terminals		
Motor	AC shaded pole, impedance protected		
Bearing System	Dual ball or Sleeve		
Insulation Resistance	>100M ohm between lead-wire and frame (500VDC)		
Dielectric Strength	1 min at 1500 VAC, 50/60Hz		

Model Number	Speed (RPM)	Airflow (CFM)	Noise (dB)	Volts AC	Voltage Range	Watts	Max. Static Pressure ("H ₂ O)
OA109AP-11-1 *	3000	110	42	115	80~130	15	.28
OA109AP-11-2 *	2300	71	35	115	80~130	11	.24
OA109AP-11-3 *	1600	51	25	115	80~130	8	.15
OA109AP-22-1 *	3000	110	42	230	160~260	15	.28
OA109AP-22-2 *	2300	71	35	230	160~260	11	.24
OA109AP-22-3 *	1600	51	25	230	160~260	8	.15

* Indicate "TB" (Terminal Ball Bearing), "WB" (12" Wire Leads, Ball Bearing), "TS" (Terminal, Sleeve Bearing), "WS" (12" Wire Leads, Sleeve Bearing)

Mouser Electronics

Authorized Distributor

Click to View Pricing, Inventory, Delivery & Lifecycle Information:

Orion Fans:

[OA109AP-22-2TB](#) [OA109AP-22-2WB](#) [OA109AP-22-1TB](#) [OA109AP-22-3WB](#) [OA109AP-11-2WBR](#) [OA109AP-11-2WB](#) [OA109AP-11-2TB](#) [OA109AP-11-1TB](#) [OA109AP-11-1WB](#) [OA109AP-22-3TB](#) [OA109AP-22-3WBR](#) [OA109AP-22-3WSR](#) [OA109AP-22-2WSR](#) [OA109AP-22-2WBR](#) [OA109AP-11-3WSR](#) [OA109AP-11-2WSR](#) [OA109AP-11-3WB](#) [OA109AP-11-3TB](#) [OA109AP-11-3WBR](#) [OA109AP-11-1TB-18](#) [OA109AP-11-1TS](#) [OA109AP-22-2WS](#) [OA109AP-22-3TS](#) [OA109AP-22-1TS](#) [OA109AP-22-2TS](#) [OA109AP-11-2TS](#) [OA109AP-11-3TS](#) [OA109AP-11-2WS](#) [OA109AP-11-1WS](#) [OA109AP-22-3WS](#) [OA109AP-11-3WS](#) [OA109AP-11-1WSR](#)