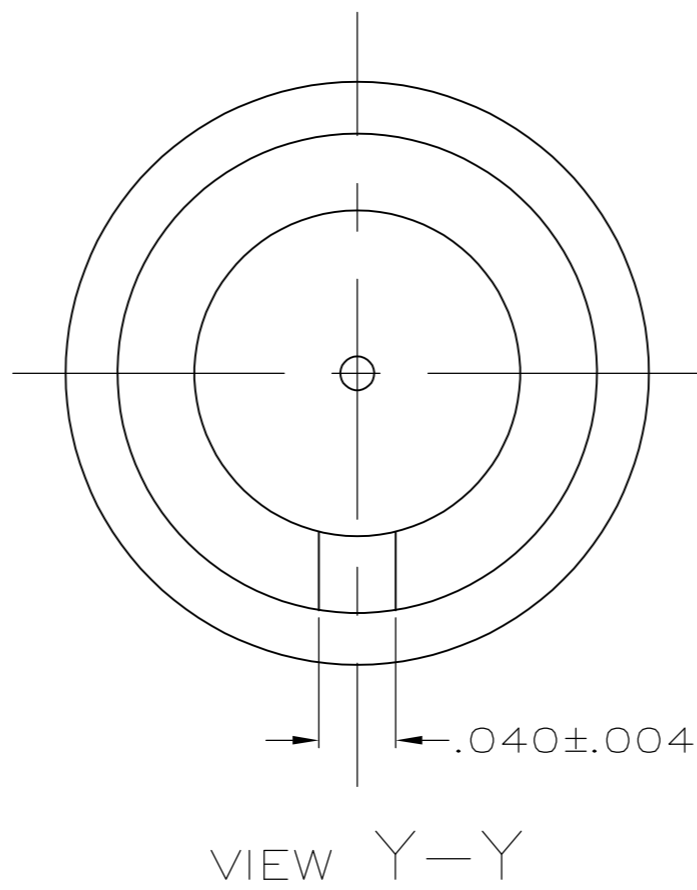
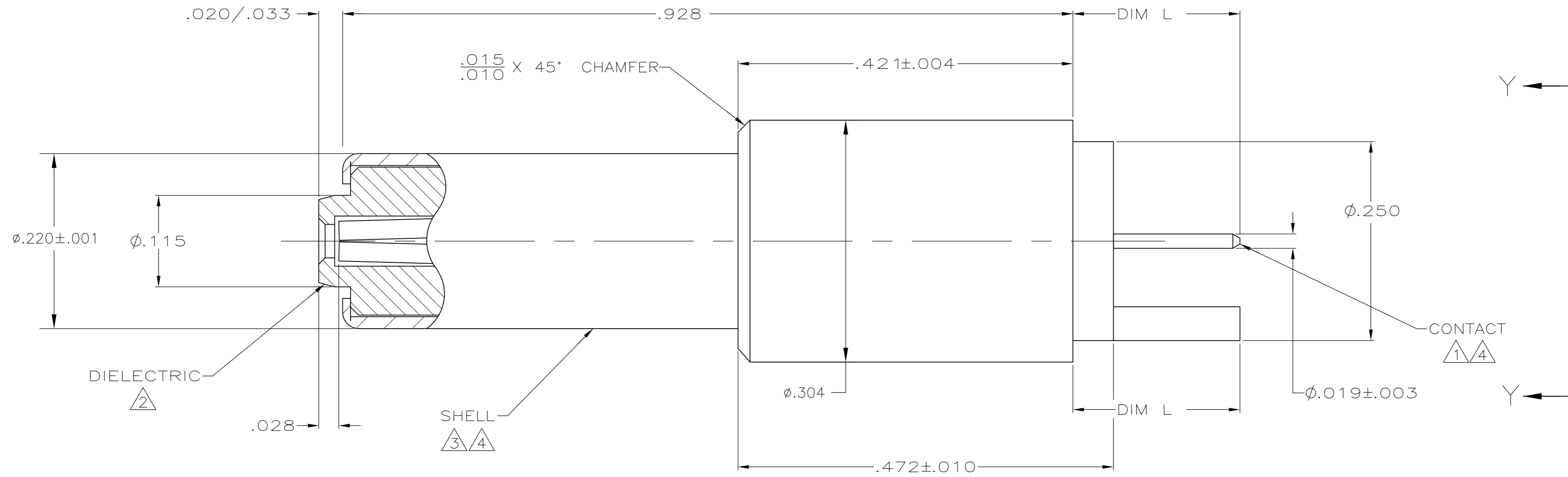


THIS DRAWING IS UNPUBLISHED. RELEASED FOR PUBLICATION  
 © COPYRIGHT BY TYCO ELECTRONICS CORPORATION. ALL RIGHTS RESERVED.

LOC		DIST		REVISIONS			
P	LTR	DESCRIPTION	DATE	DWN	APVD		
F		REV PER ECO 09-009734	4-23-09	CT	KT		



- 1 BERYLLIUM COPPER PER ASTM-B-196 OR ASTM-B-197.
- 2 PTFE PER ASTM-B-1710.
- 3 BRASS PER ASTM-B-16.
- 4 GOLD PLATED PER ASTM-B-488

.280	447335-3
.325	447335-2
.210	447335-1
DIM L	PART NUMBER

THIS DRAWING IS A CONTROLLED DOCUMENT.		DWN	M.E.PASTAL	8-20-90	Tyco Electronics Corporation Harrisburg, PA 17105-3608							
DIMENSIONS: INCHES		CHK	R.HOSLER	8-20-90								
TOLERANCES UNLESS OTHERWISE SPECIFIED:		APVD	R.HOSLER	8-20-90								
0 PLC ± - 1 PLC ± - 2 PLC ± - 3 PLC ± .005 4 PLC ± - ANGLES ± - FINISH -		PRODUCT SPEC	ASSEMBLY, COAX, SIZE 5									
MATERIAL	-	APPLICATION SPEC	-		SIZE	A2	CAGE CODE	00779	DRAWING NO	C=447335	RESTRICTED TO	-
CUSTOMER DRAWING		WEIGHT	-		SCALE	10:1		SHEET	1 of 1		REV	F

# Mouser Electronics

Authorized Distributor

Click to View Pricing, Inventory, Delivery & Lifecycle Information:

[TE Connectivity:](#)

[447335-2](#)