

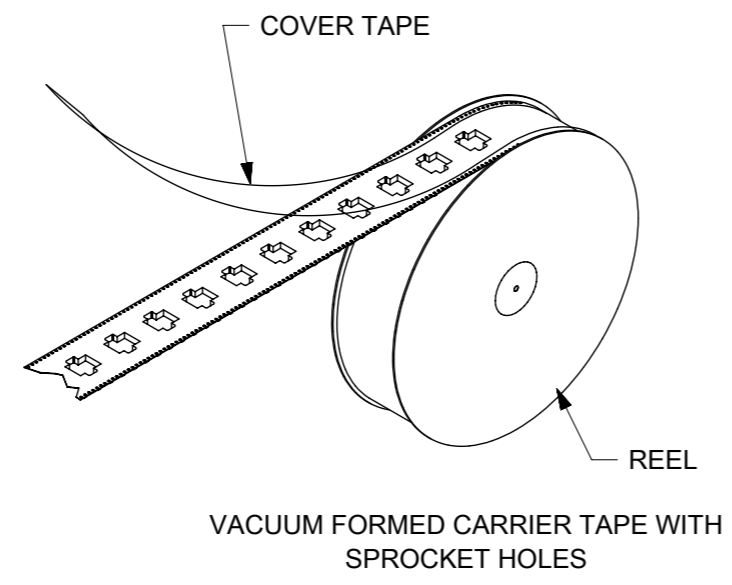
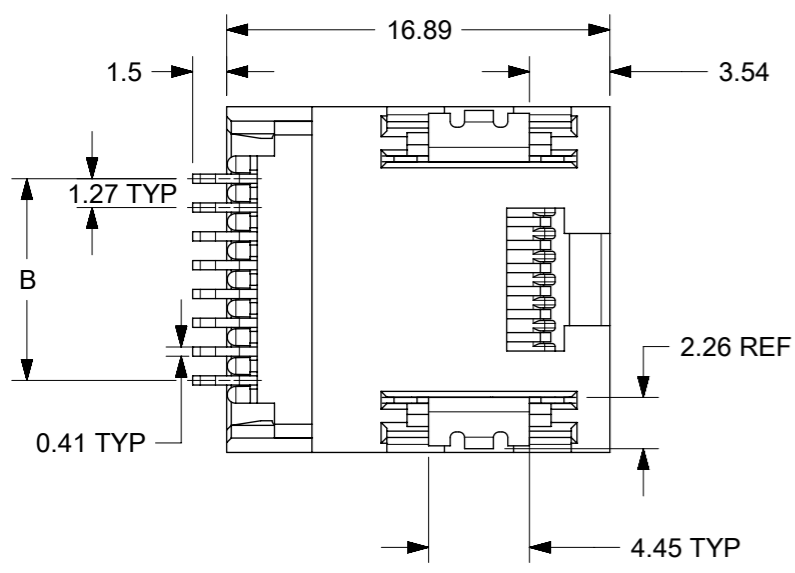
HOUSING SIZE	CIRCUIT SIZE	DIM. A	DIM. B
6	6	13.21	6.35
6	4	13.21	3.81
6	2	13.21	1.27
8	8	15.24	8.89
8	6	15.24	6.35

TERMINAL TAILS
SEE NOTE 4

FITTING NAILS
SEE NOTE 4

8 CIRCUIT ASSEMBLY

6 CIRCUIT ASSEMBLY



VACUUM FORMED CARRIER TAPE WITH SPROCKET HOLES

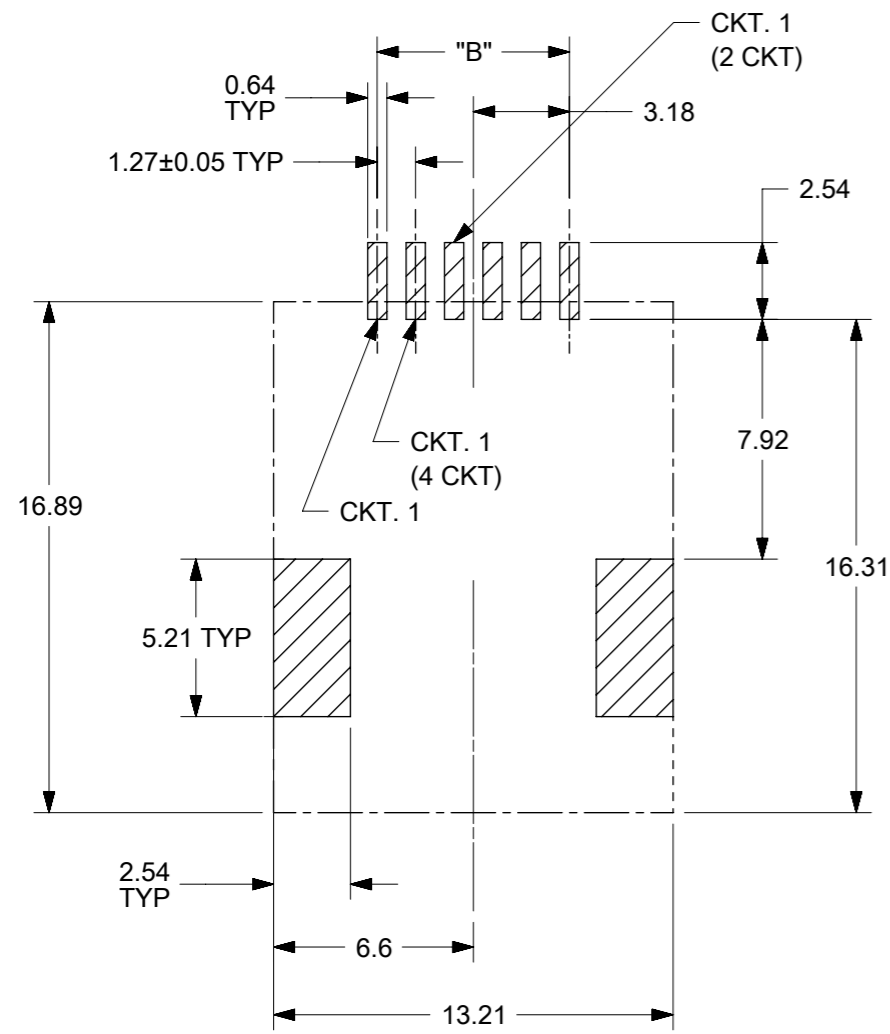
TAPE AND REEL PACKAGING

"X"=NOT TOOLED

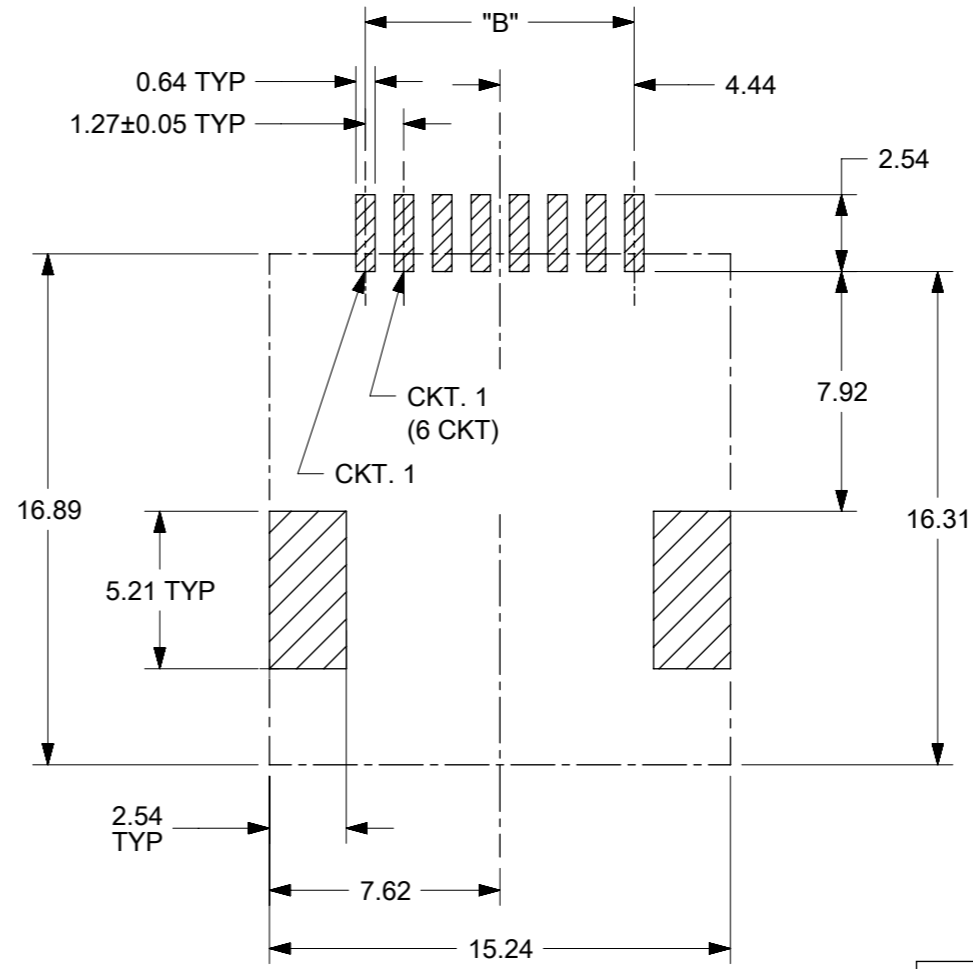
	ASSEMBLY ITEM NO.	CONNECTOR SIZE	CIRCUIT SIZE	TERMINAL PLATING	TAPE & REEL PACKAGING No.	VOIDED CIRCUITS	HOUSING COLOR
X	44144-0001	8	4	A	PK-70873-7002	NA	BLACK
X	44144-0002	8	6	A	PK-70873-7002		
	44144-0003	8	8	A	PK-70873-7002		
	44144-0004	6	4	A	PK-70873-7001		
	44144-0005	6	6	A	PK-70873-7001		
X	44144-0006	8	4	B	PK-70873-7002		
X	44144-0007	8	6	B	PK-70873-7002		
X	44144-0008	8	8	B	PK-70873-7002		
X	44144-0009	6	4	B	PK-70873-7001		
X	44144-0010	6	6	B	PK-70873-7001		
X	44144-0011	8	4	C	PK-70873-7002		
X	44144-0012	8	6	C	PK-70873-7002		
	44144-0013	8	8	C	PK-70873-7002		
	44144-0014	6	4	C	PK-70873-7001	▼	
X	44144-0015	6	6	C	PK-70873-7001	NA	
X	44144-0016	8	4	C	PK-70873-7001	2,3,6,7	
X	44144-0017	6	2	A	PK-70873-7001	NA	
X	44144-0018	6	2	B	PK-70873-7001		
X	44144-0019	6	2	C	PK-70873-7001	▼	
X	44144-0023	8	2	A	PK-70873-7002	NA	

- NOTES :
- MATERIALS:
HOUSING: NYLON, GLASS-FILLED, UL94V-0; COLOR - SEE CHART
TERMINALS: PHOSPHOR BRONZE, 0.30 mm THICK
FITTING NAILS: BRASS ALLOY, 0.25 mm THICK
 - FINISH:
TERMINALS:
(A) SELECT GOLD IN CONTACT AREA: 0.00127 mm MIN.,
*SELECT MATTE TIN IN PC TAIL AREA: 0.00254 mm MIN.,
WITH OVERALL NICKEL UNDERPLATE: 0.00127 mm MIN.
(B) SELECT GOLD IN CONTACT AREA: 0.00076 mm MIN.,
*SELECT MATTE TIN IN PC TAIL AREA: 0.00254 mm MIN.,
WITH OVERALL NICKEL UNDERPLATE: 0.00127 mm MIN.
(C) SELECT GOLD IN CONTACT AREA: 0.00038 mm MIN.,
*SELECT MATTE TIN IN PC TAIL AREA: 0.00254 mm MIN.,
WITH OVERALL NICKEL UNDERPLATE: 0.00127 mm MIN.
FITTING NAILS:
*2.54 MICROMETER MATTE TIN OVER 1.27 MICROMETER NICKEL UNDERPLATE
*THE PRIMARY SHIPPING CARTON WILL BE LABELED "ELV AND RoHS COMPLIANT" CARTONS WITHOUT THIS LABEL MAY CONTAIN PRODUCT WITH TIN-LEAD IN THE PC TAIL AND/OR FITTING NAILS.
 - PRODUCT SPECIFICATION: PS-43743-0001
 - COPLANARITY SPECIFICATION:
WITH THE MODULAR JACK SITTING ON A LEVEL SURFACE, THE MAXIMUM GAP BETWEEN THE LEVEL SURFACE AND ALL TERMINAL TAILS AND BOTH FITTING NAILS IS 0.15 mm.
 - FOR ASSEMBLIES HAVING VOIDED CIRCUITS, THE TAIL PORTION IS CUT AND REMOVED. THE MATING PORTION OF THE TERMINAL REMAINS INTACT.
 - CONVECTION SOLDERING TECHNOLOGY SHOULD BE USED WHEN GANGING MODULAR JACKS WITH INBOARD NAILS SIDE-BY-SIDE.
 - THIS PART CONFORMS TO CLASS B REQUIREMENTS OF COSMETIC SPECIFICATION PS-45499-002.

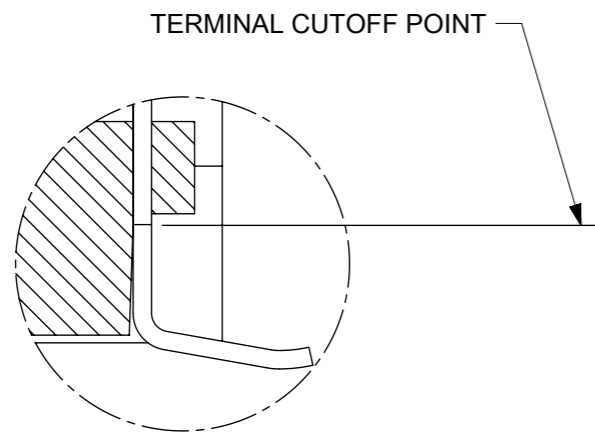
SYMBOLS	THIS DRAWING CONTAINS INFORMATION THAT IS PROPRIETARY TO MOLEX ELECTRONIC TECHNOLOGIES, LLC AND SHOULD NOT BE USED WITHOUT WRITTEN PERMISSION		CURRENT REV DESC: MIGRATED TO NX				
	DIMENSION UNITS	SCALE					
▽ = 0	mm	3:1			4, 6, 8 CIRCUIT SMT MODULAR JACK W/ FLUSH FITTING NAILS		
▽ = 0	GENERAL TOLERANCES (UNLESS SPECIFIED)				PRODUCT CUSTOMER DRAWING		
▽ = 0	ANGULAR TOL ± 0.5°				DOCUMENT NUMBER		
▽ = 0	4 PLACES ±		EC NO: 173578		DOC TYPE		
▽ = 0	3 PLACES ±		DRWN: VK10 2018/01/10		DOC PART		
▽ = 0	2 PLACES ± 0.25		CHK'D: KLANG 2018/03/23		REVISION		
▽ = 0	1 PLACE ± 0.38		APPR: KLANG 2018/03/23		SD-44144-001		
▽ = 0	0 PLACES ±		INITIAL REVISION:		PSD 001 H7		
▽ = 0	DRAFT WHERE APPLICABLE MUST REMAIN WITHIN DIMENSIONS		DRWN: AFENG02 2017/02/23		MATERIAL NUMBER		
▽ = 0	THIRD ANGLE PROJECTION		APPR: KLANG 2017/02/27		CUSTOMER		
▽ = 0	DRAWING		SERIES		SHEET NUMBER		
▽ = 0	A3-SIZE		44144		1 OF 2		



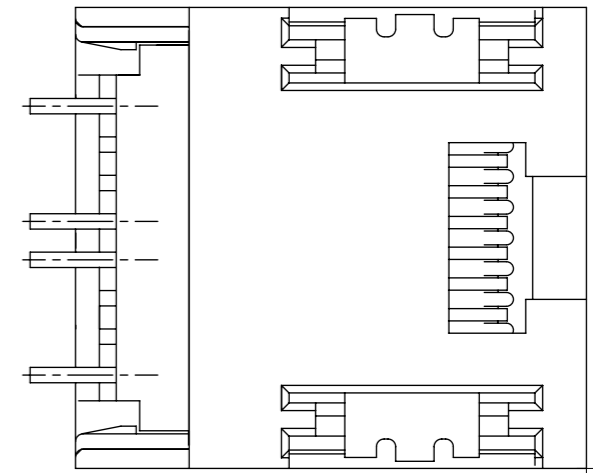
PCB LAYOUT FOR CONNECTOR SIZE 6
(COMPONENT SIDE OF BOARD)



PCB LAYOUT FOR CONNECTOR SIZE 8
(COMPONENT SIDE OF BOARD)

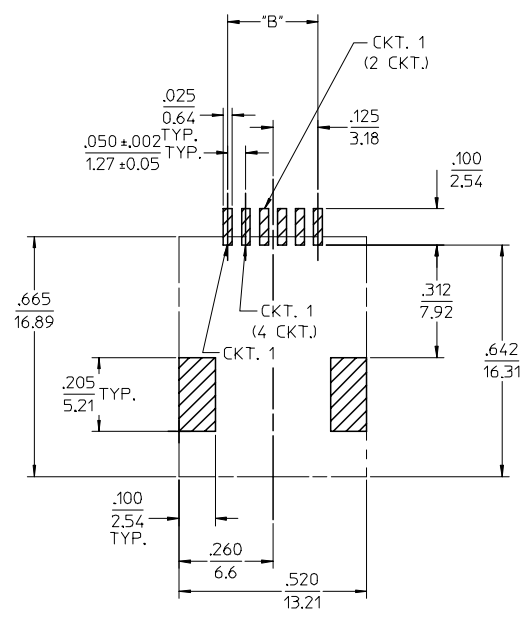


VIEW SHOWING TYPICAL TERMINAL
CUTOFF OF TAIL (SEE NOTE 5) FOR VOIDED CIRCUITS.

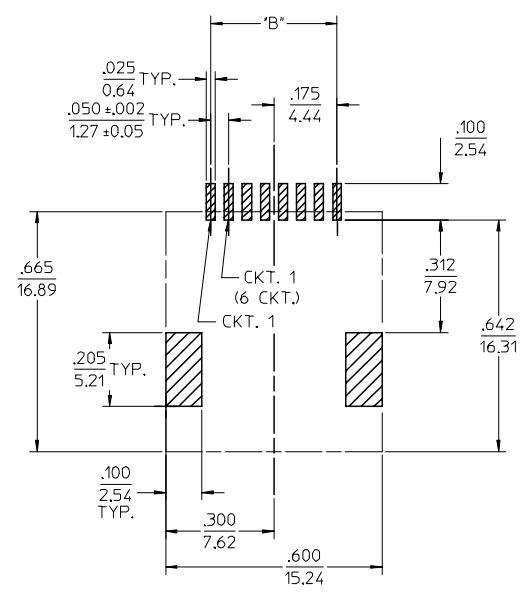


TYPICAL VIEW SHOWING VOIDED CIRCUIT
44144-0016 SHOWN

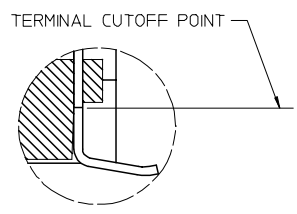
SYMBOLS	THIS DRAWING CONTAINS INFORMATION THAT IS PROPRIETARY TO MOLEX ELECTRONIC TECHNOLOGIES, LLC AND SHOULD NOT BE USED WITHOUT WRITTEN PERMISSION		CURRENT REV DESC: MIGRATED TO NX		molex
	mm	4:1			
▽ = 0	GENERAL TOLERANCES (UNLESS SPECIFIED)		EC NO: 173578		4, 6, 8 CIRCUIT SMT MODULAR JACK W/ FLUSH FITTING NAILS
▽ = 0	ANGULAR TOL ± 0.5°		DRWN: VK10 2018/01/10		
▽ = 0	4 PLACES ±		CHK'D: KLANG 2018/03/23		PRODUCT CUSTOMER DRAWING
▽ = 0	3 PLACES ±		APPR: KLANG 2018/03/23		
▽ = 0	2 PLACES ± 0.25		INITIAL REVISION:		DOCUMENT NUMBER SD-44144-001
▽ = 0	1 PLACE ± 0.38		DRWN: AFENG02 2017/02/23		
▽ = 0	0 PLACES ±		APPR: KLANG 2017/02/27		DOC TYPE PSD
■ = 0	DRAFT WHERE APPLICABLE MUST REMAIN WITHIN DIMENSIONS		THIRD ANGLE PROJECTION	DRAWING A3-SIZE	SERIES 44144
▽ = 0			MATERIAL NUMBER SEE CHART	CUSTOMER GENERAL MARKET	DOC PART 001
					REVISION H7
					SHEET NUMBER 2 OF 2



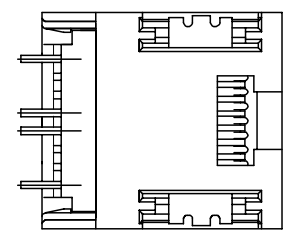
PCB LAYOUT FOR CONNECTOR SIZE 6
(COMPONENT SIDE OF BOARD)



PCB LAYOUT FOR CONNECTOR SIZE 8
(COMPONENT SIDE OF BOARD)



VIEW SHOWING TYPICAL TERMINAL
CUTOFF OF TAIL (SEE NOTE 5) FOR VOIDED CIRCUITS.



TYPICAL VIEW SHOWING VOIDED CIRCUIT
44144-0016 SHOWN

SEE SHEET ONE EC NO: UCP2004-0798 DRW:LSCHMIDT 2004/01/05 CHKD:LSCHMIDT 2004/01/05 APPR:FSMITH 2004/01/08	QUALITY SYMBOLS	GENERAL TOLERANCES (UNLESS SPECIFIED)	SCALE 4:1	DESIGN UNITS INCH	THIRD ANGLE PROJECTION	REVISE ON CAD ONLY																								
	DESCRIPTION ▽ = 0 ▽ = 0	<table border="1"> <thead> <tr> <th></th> <th>mm</th> <th>INCH</th> </tr> </thead> <tbody> <tr> <td>4 PLACES</td> <td>± .005</td> <td>± .0005</td> </tr> <tr> <td>3 PLACES</td> <td>± .010</td> <td>± .0010</td> </tr> <tr> <td>2 PLACES</td> <td>± 0.25</td> <td>± .010</td> </tr> <tr> <td>1 PLACE</td> <td>± 0.38</td> <td>± .015</td> </tr> </tbody> </table>		mm	INCH	4 PLACES	± .005	± .0005	3 PLACES	± .010	± .0010	2 PLACES	± 0.25	± .010	1 PLACE	± 0.38	± .015	<table border="1"> <thead> <tr> <th colspan="2">DIMENSION STYLE</th> </tr> <tr> <th>IN/MM</th> <th>DATE</th> </tr> </thead> <tbody> <tr> <td>DRAWN BY DSTAMBAU</td> <td>00/04/07</td> </tr> <tr> <td>CHECKED BY BWIRKUS</td> <td>00/04/07</td> </tr> <tr> <td>APPROVED BY R EDGLEY</td> <td>00/04/07</td> </tr> </tbody> </table>	DIMENSION STYLE		IN/MM	DATE	DRAWN BY DSTAMBAU	00/04/07	CHECKED BY BWIRKUS	00/04/07	APPROVED BY R EDGLEY	00/04/07	TITLE	
			mm	INCH																										
		4 PLACES	± .005	± .0005																										
3 PLACES	± .010	± .0010																												
2 PLACES	± 0.25	± .010																												
1 PLACE	± 0.38	± .015																												
DIMENSION STYLE																														
IN/MM	DATE																													
DRAWN BY DSTAMBAU	00/04/07																													
CHECKED BY BWIRKUS	00/04/07																													
APPROVED BY R EDGLEY	00/04/07																													
DRAFT WHERE APPLICABLE MUST REMAIN WITHIN DIMENSIONS	THIS DRAWING CONTAINS INFORMATION THAT IS PROPRIETARY TO MOLEX INCORPORATED AND SHOULD NOT BE USED WITHOUT WRITTEN PERMISSION	4, 6, 8 CIRCUIT SMT MODULAR JACK W/ FLUSH FITTING NAILS MOLEX INCORPORATED	MATERIAL NO. SEE CHART	DOCUMENT NO. SD-44144-001	SHEET NO. 2 OF 2																									