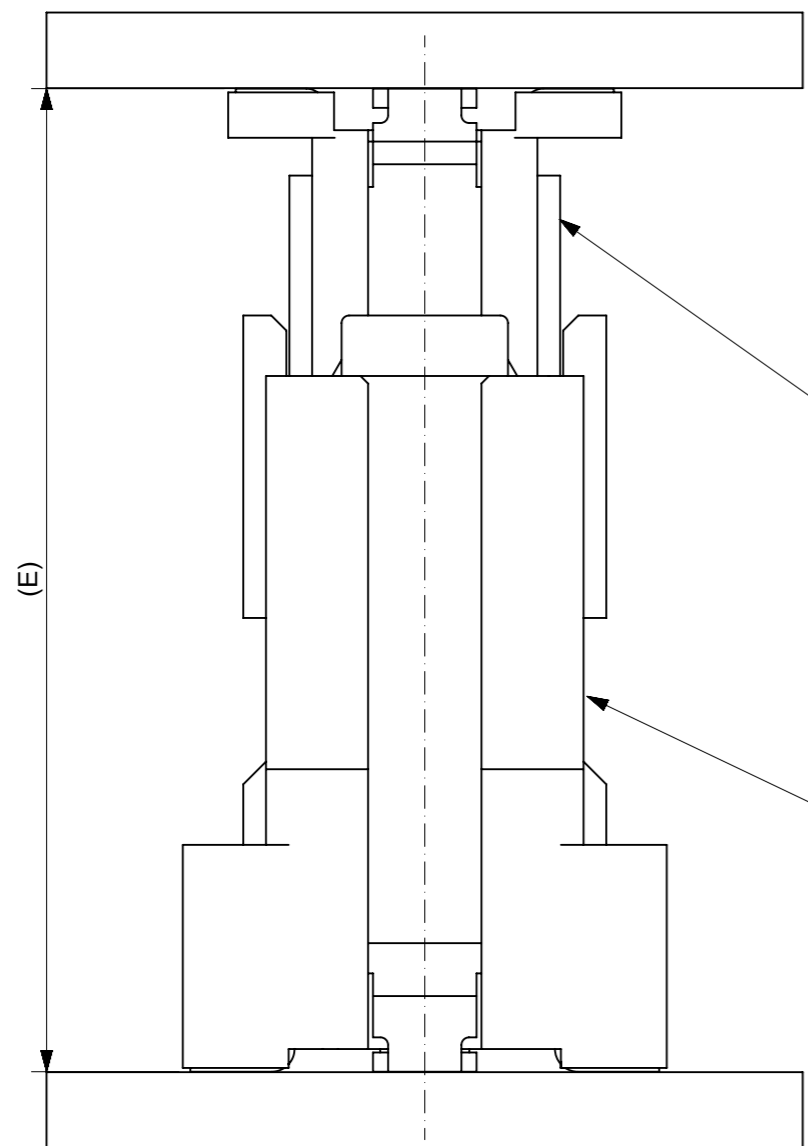


注) NOTES

- 材質
MATERIAL
ハウジング : ガラス入りLCP、黒色、UL94V-0
HOUSING: LIQUID CRYSTAL POLYMER (LCP), GLASS FILLED, BLACK, UL94V-0
ターミナル : 銅合金 (t=0.2)
TERMINAL: COPPER ALLOY
吸着カバー : ステンレス (t=0.2)
VACUUM COVER: STAINLESS STEEL
補強金具 : 銅合金 (t=0.25)
FITTING NAIL: COPPER ALLOY
- メッキ仕様
PLATING
ターミナル : 接点部 : 金メッキ 0.25 マイクロメートル以上。
TERMINAL CONTACT AREA : GOLD 0.25 MICROMETER MINIMUM.
半田付け部 : 錫メッキ 1.0 マイクロメートル以上。
SOLDER TAIL AREA : TIN 1.0 MICROMETER MINIMUM.
下地メッキ : ニッケルメッキ 1.5 マイクロメートル以上。
UNDER-PLATING : NICKEL 1.5 MICROMETER MINIMUM.
補強金具 : 錫メッキ 1.0 マイクロメートル以上。
FITTING NAIL TIN 1.0 MICROMETER MINIMUM.
下地メッキ : ニッケルメッキ 1.0 マイクロメートル以上。
UNDER-PLATING: NICKEL 1.0 MICROMETER MINIMUM.
- テールのバラツキ寸法
TAIL COPLANARITY
テール及び金具の平坦度は、0.1以下とする。
TAIL AND FITTING NAIL COPLANARITY TO BE 0.1 MAXIMUM.
- エンボス対応済みの極数については、SD-55091-007を参照下さい。
FOR THE EMBOSSED PACKAGE PRODUCTS, SEE SD-55091-007.
- 本製品は55091-***2の鉛フリー品である。
THIS PRODUCT IS LEAD FREE OF 55091-***2.

無し WITHOUT	79.17	78.07	75.565	83.07	-	-	240
	66.47	65.37	62.865	70.37	55091-2074	55091-2075	200
	60.12	58.22	56.515	64.02	-	-	180
	53.77	52.67	50.165	57.67	55091-1674	-	160
	47.42	46.32	43.815	51.32	55091-1474	-	140
	41.07	39.97	37.465	44.97	55091-1274	-	120
	34.72	33.62	31.115	38.62	55091-1074	-	100
	31.35	30.45	27.94	35.45	55091-0974	-	90
有り WITH	28.37	27.27	24.765	32.27	55091-0874	-	80
	25.2	24.1	21.59	29.1	55091-0774	-	70
	22.02	20.92	18.415	25.92	55091-0674	-	60
	18.85	17.75	15.24	22.75	55091-0574	-	50
	15.67	14.57	12.065	19.57	55091-0474	-	40
	12.5	11.4	8.89	16.4	55091-0374	-	30
ハウジングロック HSG LOCK	9.32	8.22	5.715	13.22	55091-0274	-	20
					エンボス梱包 EMBOSSED PACKAGE	スティック梱包 STICK PACKAGE	極数 CKT
				オーダー番号 ORDER NO.			

GENERAL TOLERANCES (UNLESS SPECIFIED)		THIS DRAWING CONTAINS INFORMATION THAT IS PROPRIETARY TO MOLEX ELECTRONIC TECHNOLOGIES, LLC AND SHOULD NOT BE USED WITHOUT WRITTEN PERMISSION	
10 UNDER	± 0.2	DIMENSION UNITS	SCALE
10 OVER 30 UNDER	± 0.25	mm	-
30 OVER	± 0.3	CURRENT REV DESC:	
ANGULAR	± 3 °	EC NO: 602629	
DRAFT WHERE APPLICABLE MUST REMAIN WITHIN DIMENSIONS		DRWN: RMIYAMOTO 2018/08/16	
		CHK'D: KSASAKI 2018/08/17	
		APPR: TKUSUHARA01 2018/08/17	
		INITIAL REVISION:	
		DRWN: HKAWABATA 2004/03/31	
		APPR: MSASAO 2004/04/01	
		THIRD ANGLE PROJECTION	DRAWING
		⊕	A3-SIZE
		SERIES	MATERIAL NUMBER
		55091	SEE CHART
		CUSTOMER	SHEET NUMBER
		GENERAL MARKET	1 OF 2



55091 series
53625 series
53647 series
53649 series
53627 series
Plug

52885 series
52901 series
Receptacle

嵌合高さ一覧 Stacking Height variation			
○	6	52885 series	55091 series
	7		53625 series
	8		53647 series
	9		53649 series
	10		53627 series
○	12	52901 series	55091 series
	13		53625 series
	14		53647 series
	15		53649 series
	16		53627 series
本図製品該当高さ Height Application	嵌合高さ E Stacking Height	リセプタクル Receptacle	プラグ Plug

GENERAL TOLERANCES (UNLESS SPECIFIED)		THIS DRAWING CONTAINS INFORMATION THAT IS PROPRIETARY TO MOLEX ELECTRONIC TECHNOLOGIES, LLC AND SHOULD NOT BE USED WITHOUT WRITTEN PERMISSION	
10 UNDER	± 0.2	DIMENSION UNITS	SCALE
10 OVER 30 UNDER	± 0.25	mm	-
30 OVER	± 0.3	CURRENT REV DESC:	
ANGULAR	± 3 °	EC NO: 602629	
DRAFT WHERE APPLICABLE MUST REMAIN WITHIN DIMENSIONS		DRWN: RMIYAMOTO 2018/08/16	
		CHK'D: KSASAKI 2018/08/17	
DRAFT WHERE APPLICABLE MUST REMAIN WITHIN DIMENSIONS		APPR: TKUSUHARA01 2018/08/17	
		INITIAL REVISION:	
DRAFT WHERE APPLICABLE MUST REMAIN WITHIN DIMENSIONS		DRWN: HKAWABATA 2004/03/31	
		APPR: MSASAO 2004/04/01	
THIRD ANGLE PROJECTION		DRAWING	SERIES
		A3-SIZE	55091
MATERIAL NUMBER		CUSTOMER	SHEET NUMBER
SEE CHART		GENERAL MARKET	2 OF 2

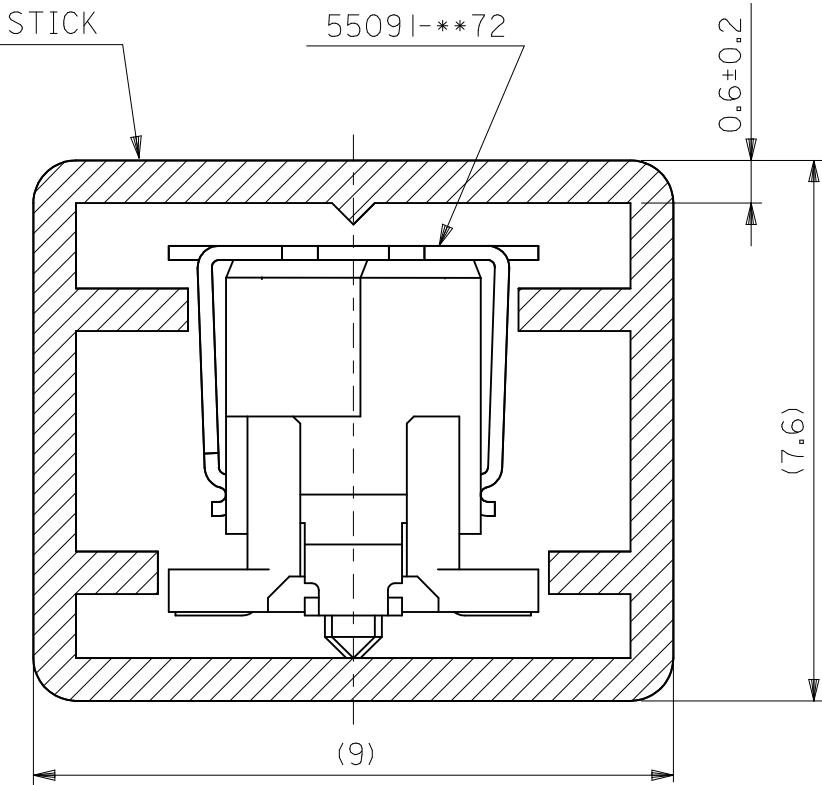
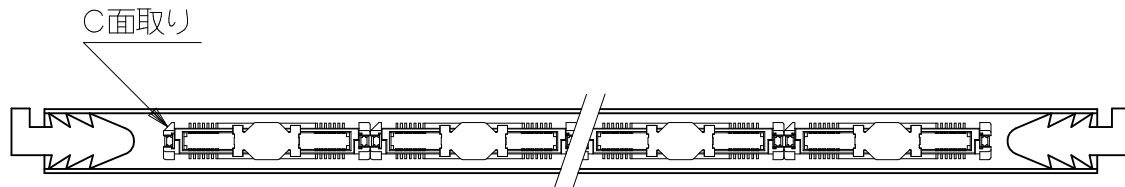
molex

0.635 PITCH B-TO-B
PLUG HS'G COVER ASS'Y -LEAD FREE-

PRODUCT CUSTOMER DRAWING

DOCUMENT NUMBER	DOC TYPE	DOC PART	REVISION
SD-55091-006	PSD	001	K

7 6 5 4 3 2 1



△ スティック内での製品の向き。

注) NOTES.

1. スティック両端はキャップ止め。
BOTH ENDS WITH CAPS.
2. 全長 : 600±2
TOTAL LENGTH : 600±2
3. 量産対応済の極数については SD-55091-006
を参照ください。
FOR AVAIRABLE ITEMS,SEE SD-55091-006.
4. 本製品は 55091-***5 の鉛フリー品である。
THIS PRODUCT IS LEAD FREE OF 55091-***5.

8	55091-2075	200
梱包数 QUANTITY	製品番号 MATERIAL NUMBER	極数 NO. OF CKT.

REVISED EC NO: J2017-0317 DRWN:GES CHKD: APPR:MSASAO 2017/02/22 2017/03/15	GENERAL TOLERANCES (UNLESS SPECIFIED)		DIMENSION STYLE	
	0.25 UNDER		MM ONLY	
	0.25 OVER 0.5 UNDER		DRAWN BY DATE	
	0.5 OVER 0 UNDER		H. KAWABATA 04/04/02	
	0 OVER 10 UNDER		CHECKED BY DATE	
	10 OVER 30 UNDER		K. TOJO 04/04/02	
30 OVER		APPROVED BY DATE		
ANGULAR ±3 °		M. SASAO 04/04/02		
DRAFT WHERE APPLICABLE MUST REMAIN WITHIN DIMENSIONS		MATERIAL NO.		
A		SEE TABLE		

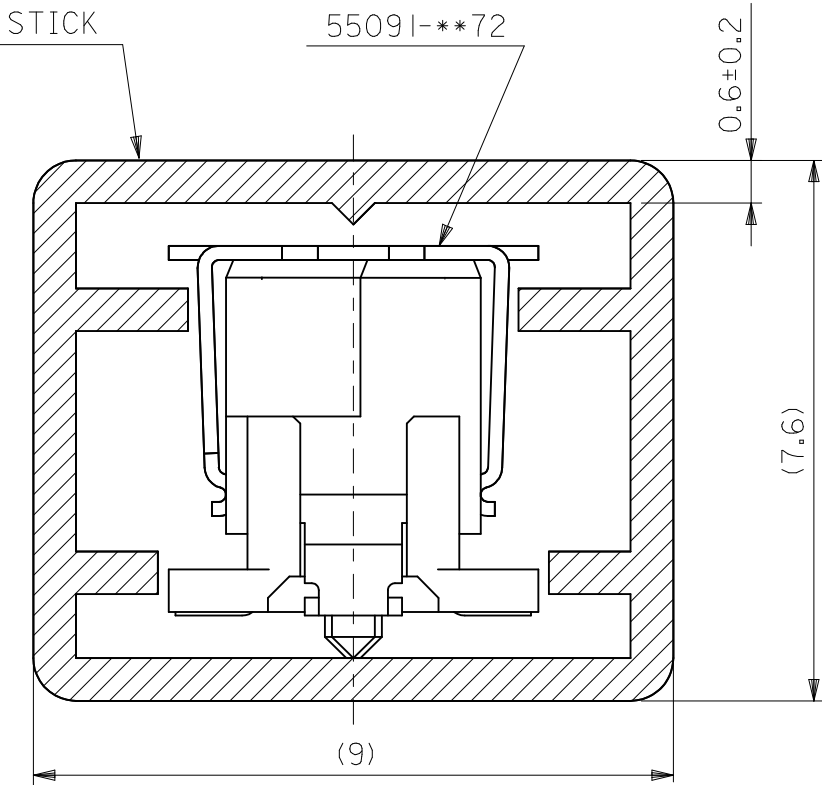
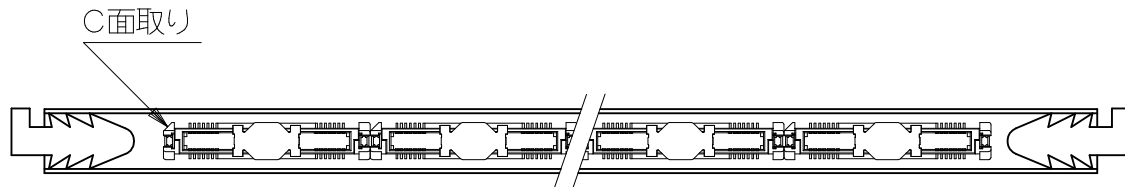
SCALE 4:1	DESIGN UNITS METRIC	THIRD ANGLE PROJECTION
TITLE 50991-**72 STICK PACKAGING -LEAD FREE-		
DOCUMENT NO. SD-55091-008		SHEET NO. 1 OF 1



THIS DRAWING CONTAINS INFORMATION THAT IS PROPRIETARY TO MOLEX ELECTRONIC TECHNOLOGIES, LLC AND SHOULD NOT BE USED WITHOUT WRITTEN PERMISSION

6 5 4 3 2 1

7 6 5 4 3 2 1



△ スティック内での製品の向き。

注) NOTES.

1. スティック両端はキャップ止め。
BOTH ENDS WITH CAPS.
2. 全長 : 600±2
TOTAL LENGTH : 600±2
3. 量産対応済の極数については SD-55091-006
を参照ください。
FOR AVAIRABLE ITEMS,SEE SD-55091-006.
4. 本製品は 55091-***5 の鉛フリー品である。
THIS PRODUCT IS LEAD FREE OF 55091-***5.

MODEL NO. 55091-**75

8	55091-2075	200
梱包数 QUANTITY	製品番号 MATERIAL NUMBER	極数 NO. OF CKT.

REVISED EC NO: J2017-0317 DRWN:GES CHKD: APPR:MSASAO 2017/02/22 2017/03/15	GENERAL TOLERANCES (UNLESS SPECIFIED)		DIMENSION STYLE MM ONLY	
	0.25 UNDER	±	DRAWN BY	DATE
	0.25 OVER 0.5 UNDER	±	H. KAWABATA	04/04/02
	0.5 OVER 0 UNDER	±	CHECKED BY	DATE
	0 OVER 10 UNDER	±0.2	K. TOJO	04/04/02
	10 OVER 30 UNDER	±0.25	APPROVED BY	DATE
30 OVER	±0.3	M. SASAO	04/04/02	
ANGULAR	±3 °	MATERIAL NO.	DOCUMENT NO.	
DRAFT WHERE APPLICABLE MUST REMAIN WITHIN DIMENSIONS		SIZE A4	THIS DRAWING CONTAINS INFORMATION THAT IS PROPRIETARY TO MOLEX ELECTRONIC TECHNOLOGIES, LLC AND SHOULD NOT BE USED WITHOUT WRITTEN PERMISSION	

SCALE 4:1		DESIGN UNITS METRIC	THIRD ANGLE PROJECTION
TITLE 50991-**72 STICK PACKAGING -LEAD FREE-			
molex		DOCUMENT NO. SD-55091-008	SHEET NO. 1 OF 1