

THIS DRAWING IS UNPUBLISHED.

RELEASED FOR PUBLICATION

1998

© COPYRIGHT 1998

ALL RIGHTS RESERVED.

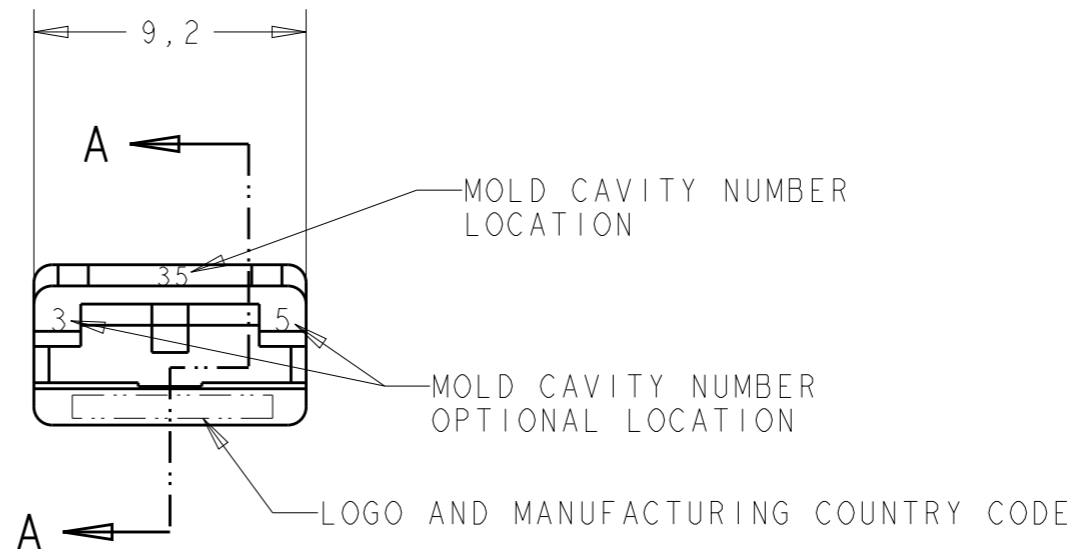
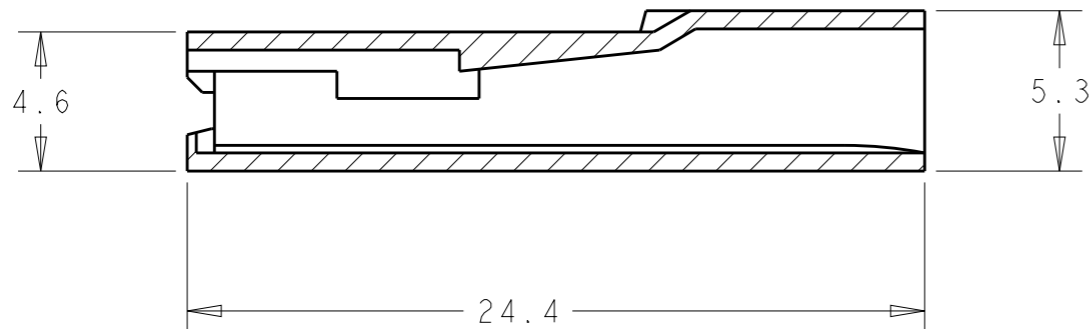
LOC  
AP

DIST  
-

REVISIONS

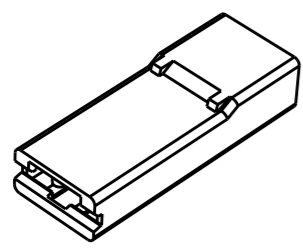
P	LTR	DESCRIPTION	DATE	DWN	APVD
	V10	REV. BY ECO 17-010816	26JUL2017	HC	WLS

SECTION A-A  
SCALE 4:1



- ① - PA 6.6 ACCORDING TO SPEC. IEC 60335-1 GWT 750°C WITHOUT FLAME.
- ② - PA 6.6 94 V-2 THERMO STABILIZED.
- ③ - PACKAGING QUANTITY: 15000 PIECES IN A BOX.
- ④ - PAKAGING: 25 PLASTIC BAGS WITH 300 PIECES EACH IN A BOX. TOTAL 7500 PIECES/BOX
- ⑤ - SUPERSEDED BY 2-2133346-0.

	NEGRO/BLACK	POLYAMIDE 6/6 V-2	8-735075-2	④		
OBSOLETE	⑤	NEGRO/BLACK	POLYAMIDE 6/6 V-2	②	8-735075-1	⑤
	NATURAL/CLEAR	POLYAMIDE 6/6 V-0	8-735075-0	①		
	NATURAL/CLEAR	POLYAMIDE 6/6 V-0	6-735075-0			
	NATURAL/CLEAR	POLYAMIDE 6/6 V-0	2-735075-6	③		
	NEGRO/BLACK	PA 6.6 V-2	1-735075-5			
	AMARELO/YELLOW		1-735075-4			
	AZUL/BLUE		1-735075-3			
	VERMELHO/RED		1-735075-1			
	NATURAL/CLEAR		1-735075-0			
	NEGRO/BLACK		735075-5			
OBSOLETE	VERDE/GREEN	POLIPROPILENO/POLYPROPYLENE	735075-2	③		
OBSOLETE	VERMELHO/RED		735075-1	③		
	NATURAL/CLEAR		735075-0			
	COR/COLOR	MATERIAL	PART NUMBER			



THIS DRAWING IS A CONTROLLED DOCUMENT.		DWN H. CANTERI 06DEC2012	TE Connectivity	
DIMENSIONS: mm		CHK W.L. STEFANI 07DEC2012		
TOLERANCES UNLESS OTHERWISE SPECIFIED:		APVD -	NAME POST INSULATION FASTON 6,35 mm. HSG.	
0 PLC ± 1 PL ± 2 FC ± 3 FC ± 4 PL ± ANGLES ± FINISH ±		PRODUCT SPEC 108-22033	SIZE A3	
MATERIAL SEE TABLE		APPLICATION SPEC -	CAGE CODE 00779	DRAWING NO G-735075
		WEIGHT -	RESTRICTED TO -	
		Customer Drawing	SCALE -	SHEET 1 OF 1
			REV V10	

# Mouser Electronics

Authorized Distributor

Click to View Pricing, Inventory, Delivery & Lifecycle Information:

[TE Connectivity:](#)

[1-735075-5](#)