

THIS DRAWING IS UNPUBLISHED.

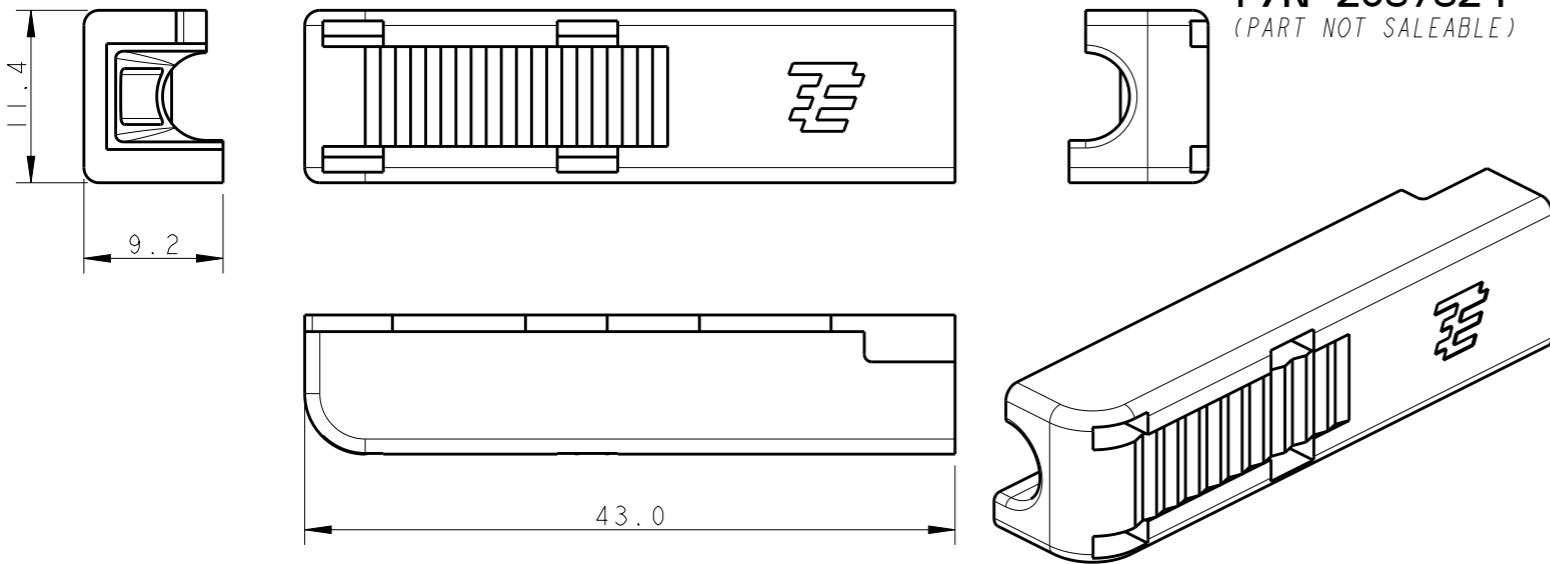
RELEASED FOR PUBLICATION

2010

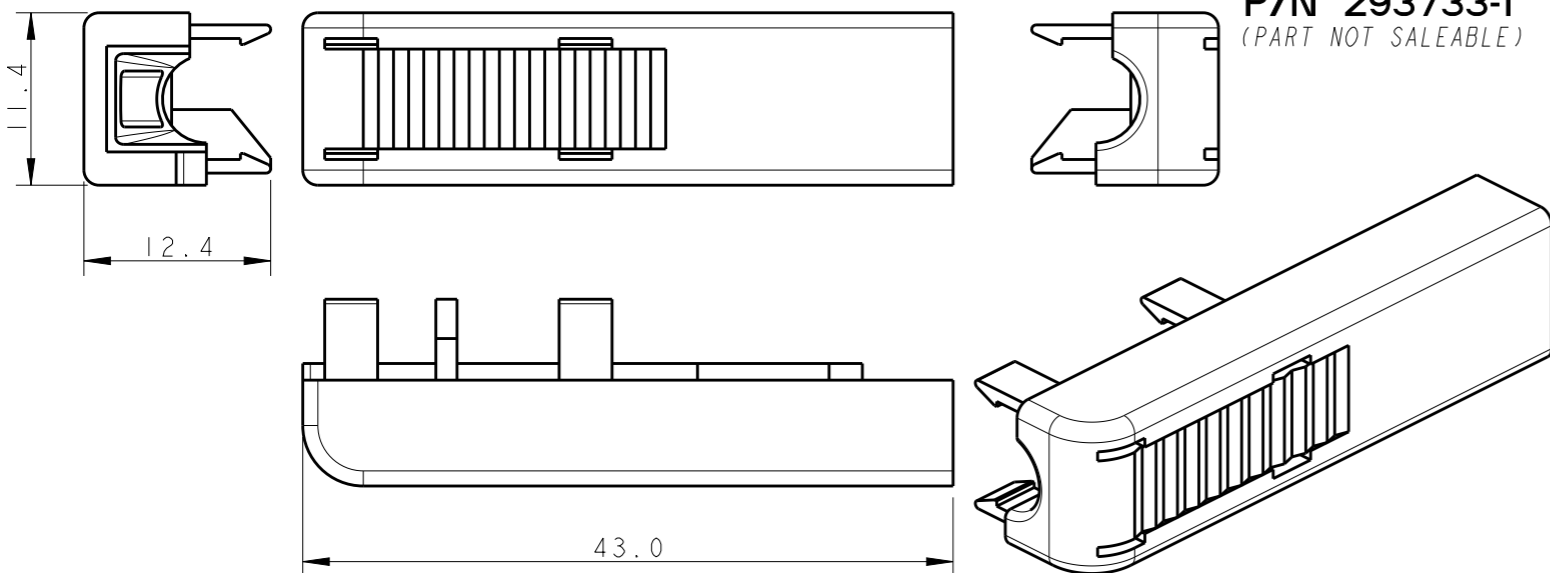
© COPYRIGHT 2010 BY TYCO ELECTRONICS CORPORATION. ALL INTERNATIONAL RIGHTS RESERVED.

LOC	DIST	REVISIONS			
P	LTR	DESCRIPTION	DATE	DWN	APVD
		A	RELEASED FOR PRODUCTION	09NOV2011	D.C. G.T.
		A1	REVISED PER ECR-14-006523	12MAY2014	RS DD
		A2	REVISED PER ECR-14-012227	18AUG2014	RS DD

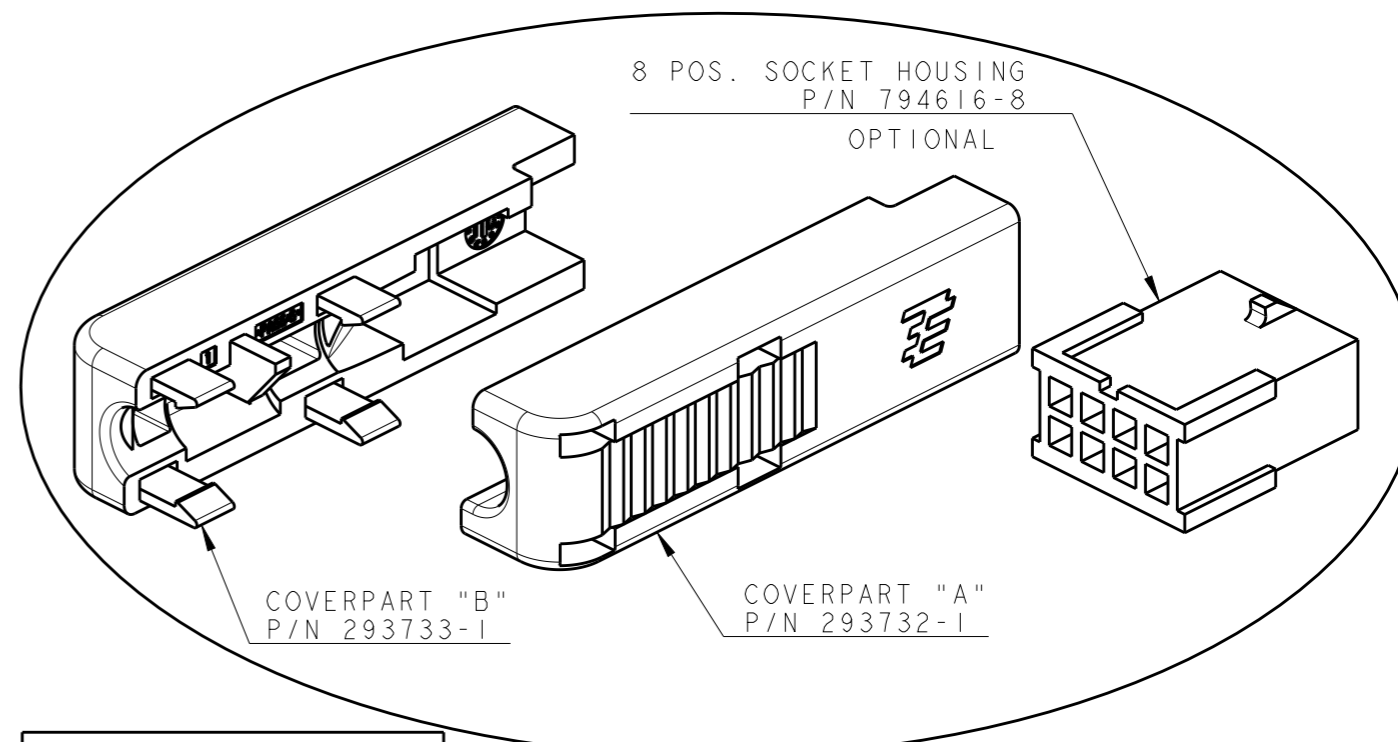
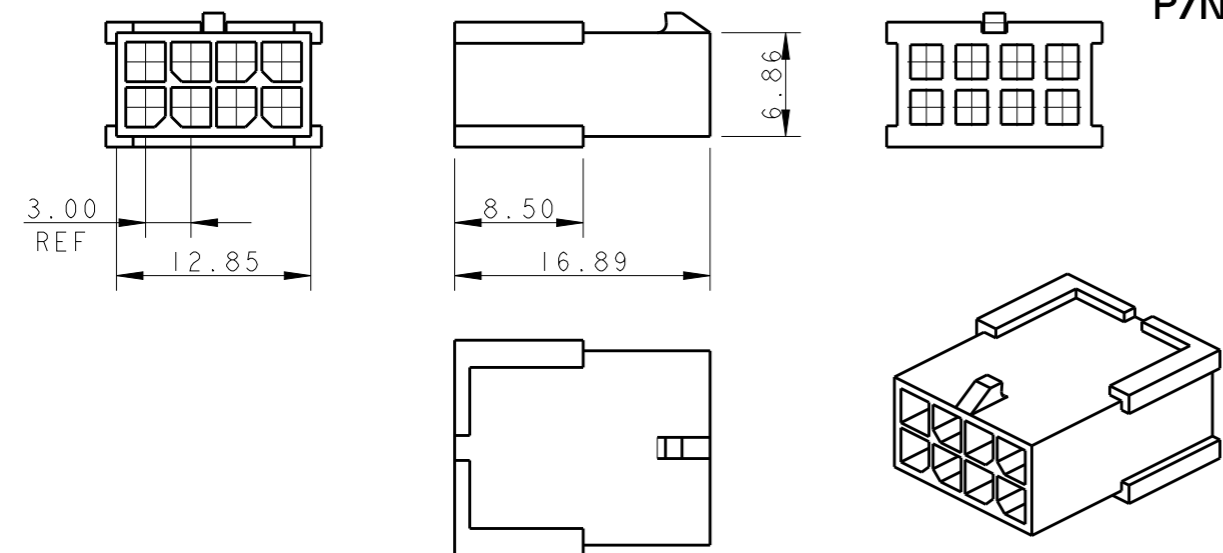
COVERPART "A"
P/N 293732-1
(PART NOT SALEABLE)



COVERPART "B"
P/N 293733-1
(PART NOT SALEABLE)



8 POS. SOCKET HOUSING
P/N 794616-8



THE PRESENTED PRODUCT / DESIGN WILL BE RELEASED FOR THE MANUFACTURING OF THE NECESSARY PRODUCTION TOOLS HEREBY. FURTHER CHANGES HAS TO BE PAID BY CUSTOMER.
DATE, SIGN OF THE CUSTOMER

8 POS. COVERPART
P/N 293737

- PACKAGING: CARTON BOX CONTAINING:
 - N°500 PIECES OF COVERPART "A" P/N 293732-1
 - N°500 PIECES OF COVERPART "B" P/N 293733-1
 - N°500 SOCKET HOUSINGS P/N 794616-8
- ADMITTED CABLES MUST HAVE EXTERNAL DIAMETER OF 5,6±0,2mm AND MUST BE OF THE FOLLOWING TYPE:
 - LiYY 8x0.25mm² (MAX. N°8 CONTACTS P/N 794608-1 MUST BE CRIMPED ON THIS CABLE).
 - HELUKABEL DATAFLAMM 10x0,14mm² / 52307 350V HALOGEN FREE (MAX. N°8 CONTACTS P/N 794609-1 MUST BE CRIMPED ON THIS CABLE).

3 NOT RELEASED FOR PRODUCTION

-	293733-1	293732-1	293737-2	3
794616-8	293733-1	293732-1	293737-1	
PLUG HOUSING	COVERPART "B"	COVERPART "A"	PART NUMBER	

<small>THIS DRAWING IS A CONTROLLED DOCUMENT FOR TYCO ELECTRONICS CORPORATION IT IS SUBJECT TO CHANGE AND THE CONTROLLING ENGINEERING ORGANIZATION SHOULD BE CONTACTED FOR THE LATEST REVISION.</small>		DWN 23JUN2010 D. CHIARELLI CHK 23JUN2010 D. CHIARELLI APVD 23JUN2010 G. TURCO		Tyco Electronics AMP Italia S.r.l. C.so F.lli Cervi, 15 - Collegno (TO)	
DIMENSIONS: mm		TOLERANCES UNLESS OTHERWISE SPECIFIED: 0 PLC ±0.5 1 PLC ±0.3 2 PLC ±0.2 3 PLC ± 4 PLC ± ANGLES ±°		NAME 8 POS. COVERPART FOR 8 POS. MICRO MATE-N-LOK SOCKET HOUSING P/N 794616-8	
MATERIAL NYLON, UL94-V0 BLACK		FINISH -		PRODUCT SPEC 108-20314 APPLICATION SPEC 114-20157 WEIGHT -	
		Customer Drawing		SCALE 2:1 SHEET 1 OF 1 REV A2	