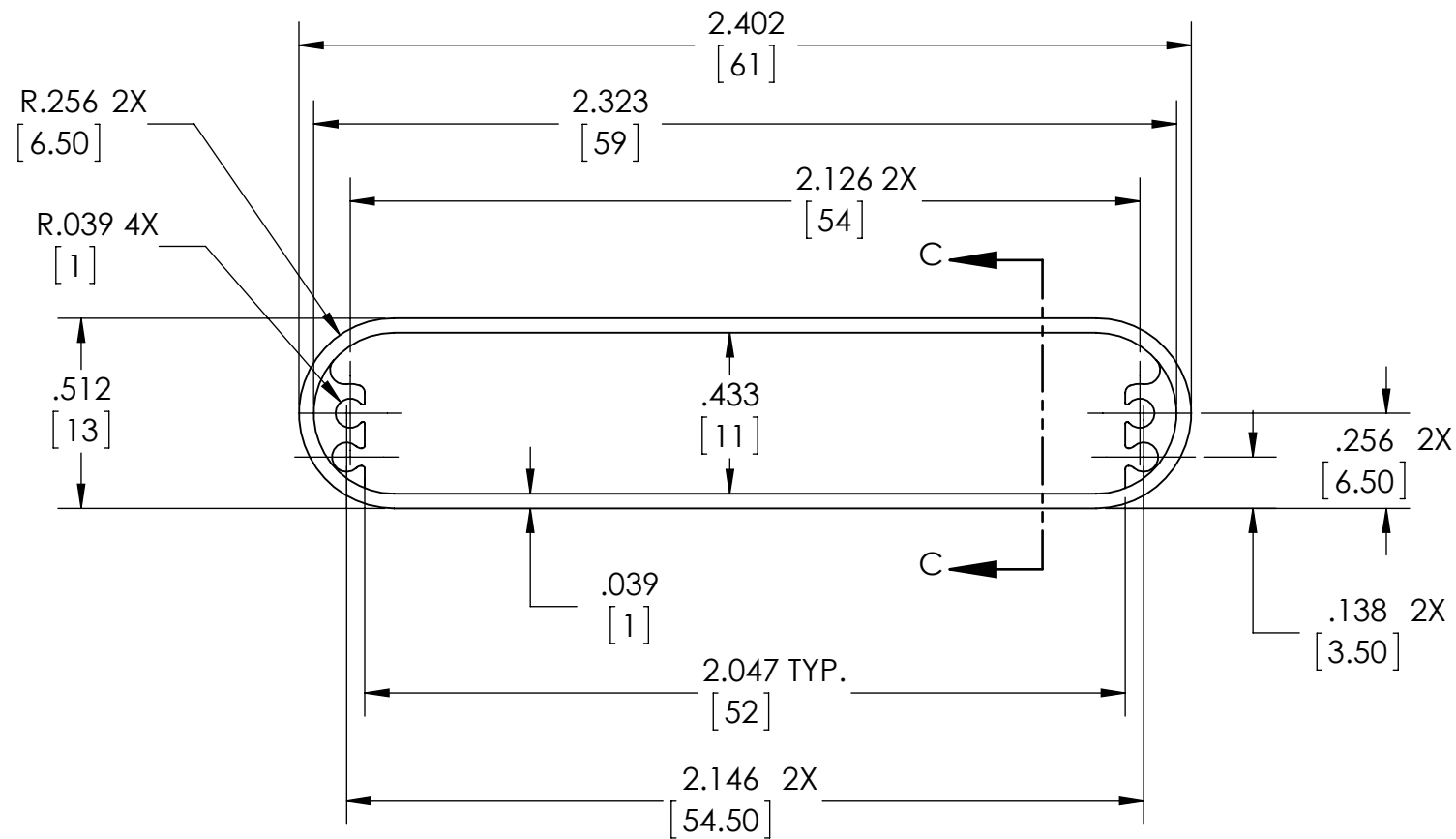
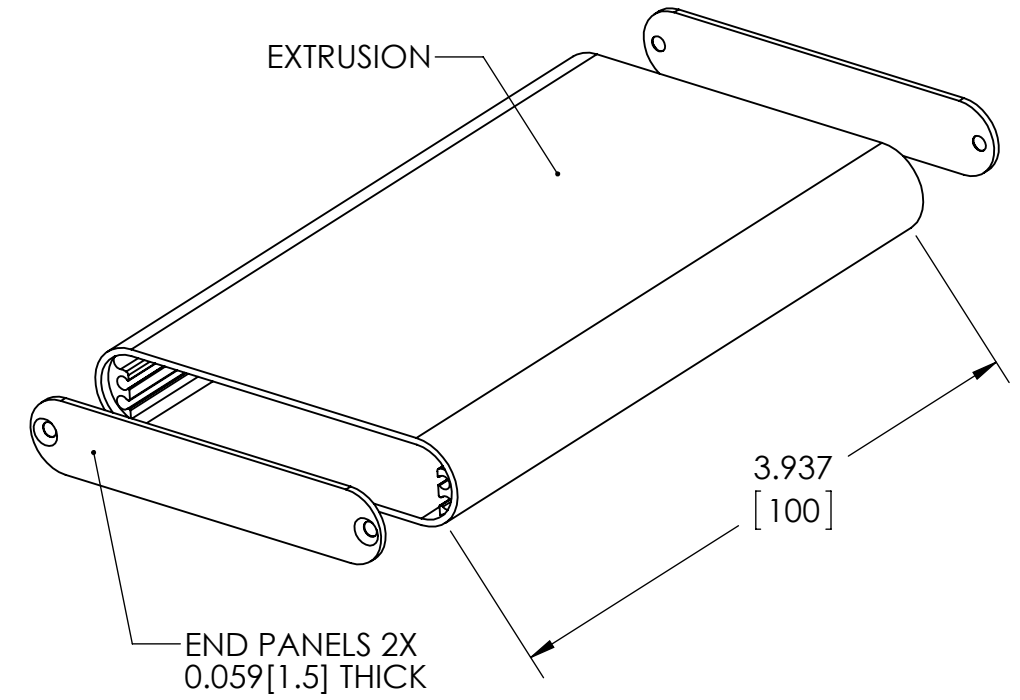
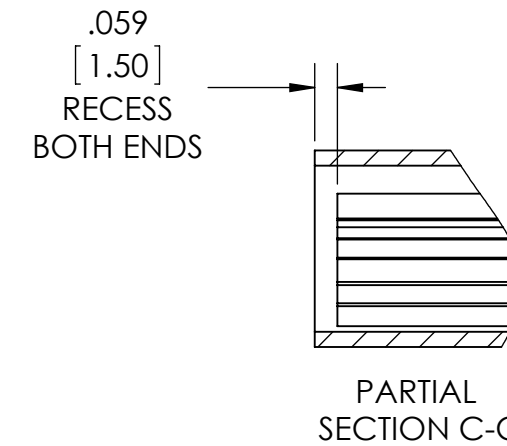


END PANEL



EXTRUSION PROFILE



NOTES:

- 1- MATERIAL: EXTRUSION/END PANELS - ALUMINUM
- 2- FINISH: BLACK
- 3- DIMENSIONS ARE INCH[MM]
- 4- TOLERANCE ON PROFILE/END PANELS = +/- .020[.50]
TOLERANCE ON CUT LENGTH = +/- .062[1.57]
- 5- SUPPLIED WITH TWO END PANELS AND FOUR M2 X 8mm
STAINLESS STEEL - BLACK ZINC PLATE - FLATHEAD
PHILLIPS SCREWS FOR MOUNTING THE PANELS

Mouser Electronics

Authorized Distributor

Click to View Pricing, Inventory, Delivery & Lifecycle Information:

[Bud Industries:](#)

[EXT-9163](#)