

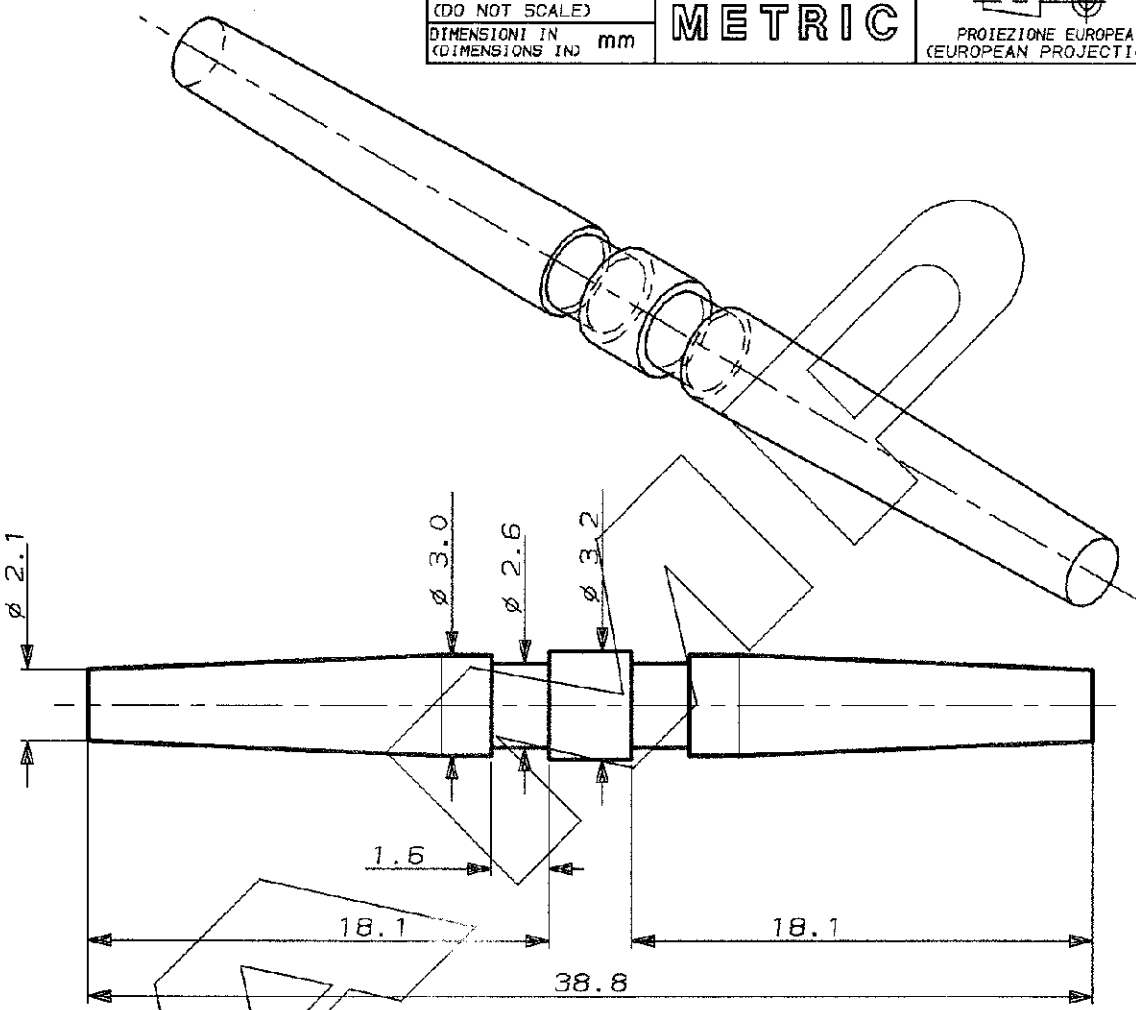
1 2 3 4

SCALA NON IMPEGNATIVA
(DO NOT SCALE)
DIMENSIONI IN mm
(DIMENSIONS IN mm)

METRIC

PROIEZIONE EUROPEA
(EUROPEAN PROJECTION)

A
B
C
D
E
F



1) - CHIAVETTA DI POLAR. ADATTA PER CAVITA' MULTIMATE
SIZE 16/12 SU CONNETTORI C.P.C. CHE MONTANO CONTATTI FEMMINA.
(KEYING SUITABLE FOR MULTIMATE CAVITY SIZE 16/12
ON C.P.C. MOUNTING PIN CONTACT)

183047-1 AS SHOWN

DISEGNO RISERVATO PER CLIENTE ENEL

GRAY	NYLON	183047-1
FINITURA / COLORE (FINISH / COLOUR)	MATERIALE (MATERIAL)	NUMERO (PART NUMBER)

RESTRICTED CUSTOMER DRAWING FOR REFERENCE ONLY
DISEGNO PER CLIENTE SOLO PER RIFERIMENTO

THIS DRAWING IS UNPUBLISHED	RELEASE FOR PUBLICATION	19
© COPYRIGHT 1985 BY AMP INCORPORATED, HARRISBURG, PA. ALL INTERNATIONAL RIGHTS RESERVED. AMP PRODUCTS MAY BE COVERED BY U.S. AND FOREIGN PATENT AND/OR PATENT PENDING.		
TOLLERANZE SE NON SPECIFICATE SPECIFICATO	DIAM. ISOLANTE (INS. DIA. RANGE)	RANGO FILO (WIRE RANGE)
± 0.3	-	-
ANGOLI (ANGLES)	AMP ITALIA S.p.A. Corso F.lli Cervi, 15 COLLENO (TORINO)	
± 2°		

DIS. C. CORDOLA COR. 02-09-92	DESCRIZIONE (DESCRIPTION)	KEYING PLUG PIN FOR CONTACT SIZE 16/12
CONTR. R. CANTORE COR. 02-09-92	LOC. SIZE	NUMERO (CHK NO)
APP. (APP.)	I A4 C-183047 A	REV. 1
REVISIONI (REVISION RECORD)	FOGLIO (SHEET)	DI (COP)
	1	1

DISTRIBUZIONE
(PRINT DIST.)

1 2 3 4

Mouser Electronics

Authorized Distributor

Click to View Pricing, Inventory, Delivery & Lifecycle Information:

[TE Connectivity:](#)

[183047-1](#)