

SAFETY ORGANIZATION(S).

THIS FILTER HAS BEEN FORMALLY RECOGNIZED, CERTIFIED OR APPROVED BY THE LISTED AGENCY. THEREFORE, ALL TEST/REQUIREMENTS SPECIFIED IN THE LATEST REVISION OF THE FOLLOWING AGENCY STANDARDS HAVE BEEN MET.

UL RECOGNIZED
 CSA CERTIFIED
 VDE APPROVED

UL 544
 CSA 22-2, NO. 0, 0.4, 8
 VDE 0565-3, 0625

OPERATING SPECIFICATIONS.

LINE VOLTAGE/CURRENT,
 10 AMP., 120/250 VAC
 10 AMP./40°C, 250 VAC

LINE FREQUENCY,
 50-60Hz
 30°C
 MAX. CASE RISE @ RATED CURRENT,
 2mA at 120V 60 Hz
 MAX. LEAKAGE CURRENT, EACH
 LINE TO GROUND
 5µA at 250V 50 Hz
 OPERATING AMBIENT TEMP. RANGE,
 -10°C TO +40°C @ RATED CURRENT, I_r

IN AN AMBIENT, T_a, HIGHER THAN 40°C, THE MAXIMUM OPERATING CURRENT, I_o, IS AS FOLLOWS,

$$I_o = I_r \sqrt{\frac{85 - T_a}{45}}$$

RELIABILITY SPECIFICATIONS.

STORAGE TEMPERATURE,
 -40°C TO +85°C
 HUMIDITY,
 21 DAYS @ 40°C 95% RH
 CURRENT OVERLOAD TEST,
 6 TIMES RATED CURRENT FOR 8 SECONDS

TEST SPECIFICATIONS.

INDUCTANCE,
 .35 mH NOMINAL
 CAPACITANCE, (MEASURED @ 1 KHz, 0.25 VAC MAX., 25°C ±1°C)
 ZERO
 LINE TO GROUND,
 .009µF ±20%
 DISCHARGE RESISTOR,
 1.5 MΩ
 LINE/GROUND AND LINE/LINE
 INSULATION RESISTANCE
 (W/O DISCHARGE RESISTOR)
 6000 MΩ (MIN) AT 100 VDC
 20°C AND 50% RH

RECOMMENDED RECEIVING INSPECTION HIPOT.

LINES TO GROUND,
 1500 VAC FOR 1 MINUTE
 LINE TO LINE,
 1450 VDC FOR 1 MINUTE

FILTER APPROVAL,
 THE BEST WAY TO SELECT AND QUALIFY A FILTER IS FOR YOUR ENGINEERING TO TEST THE UNIT IN YOUR EQUIPMENT.

TOLERANCE EXCEPT AS NOTED

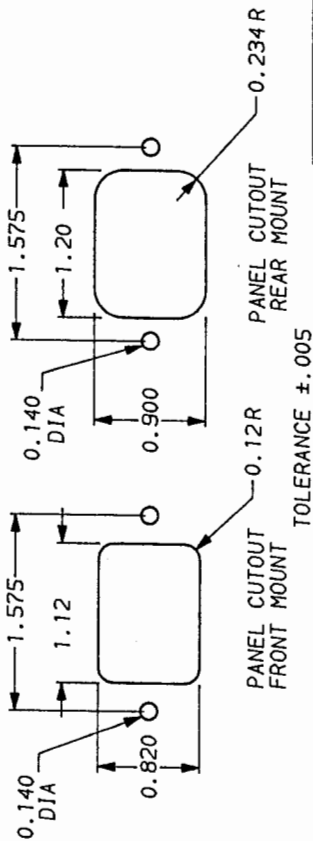
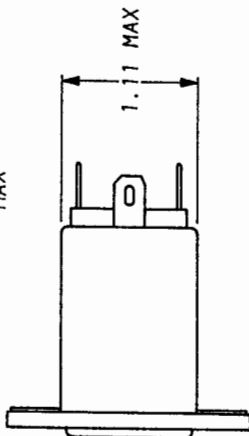
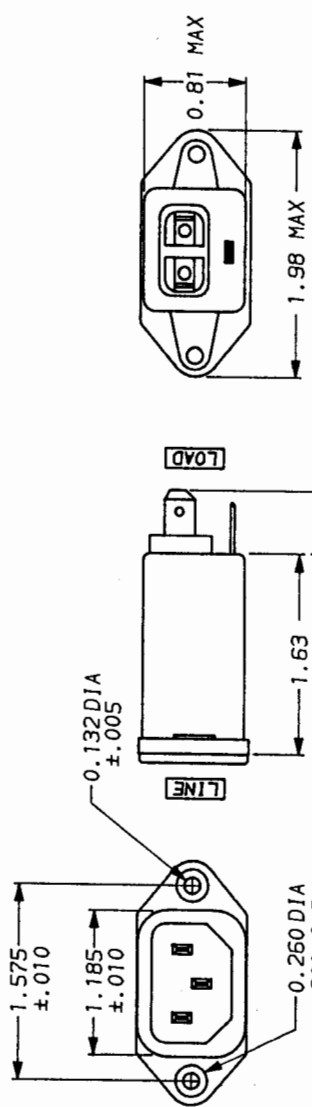
DECIMAL: .XXX .XX .X ANGLES
 ENGLISH: ±.025 ±.1
 METRIC: ±

MATERIAL:

AS SUPPLIED

FINISH:

AS SUPPLIED



FREQUENCY MHz	50µ - 50µ (MINIMUM) INSERTION LOSS									
	.10	.15	.50	1	1.5	5	10	30		
COMMON	1	5	9	12	12	12	12	12		
DIFF.	-	-	-	1	5	15	22	27		

This document is proprietary to CORCOM INC. and is not to be reproduced nor used for manufacturing purposes except on CORCOM's order or prior written consent.



POWER LINE FILTER

SCALE	DATE	DRG. NO.	REV.
NTS	9-19-91		10EAH1.01
DRW. BY	ORIGINATOR		
CFW	CFW		

*RESISTOR ADDED TO PRODUCT BUILT AFTER 3-30-92 (9212).

Mouser Electronics

Authorized Distributor

Click to View Pricing, Inventory, Delivery & Lifecycle Information:

[TE Connectivity:](#)

[10EAH1](#)