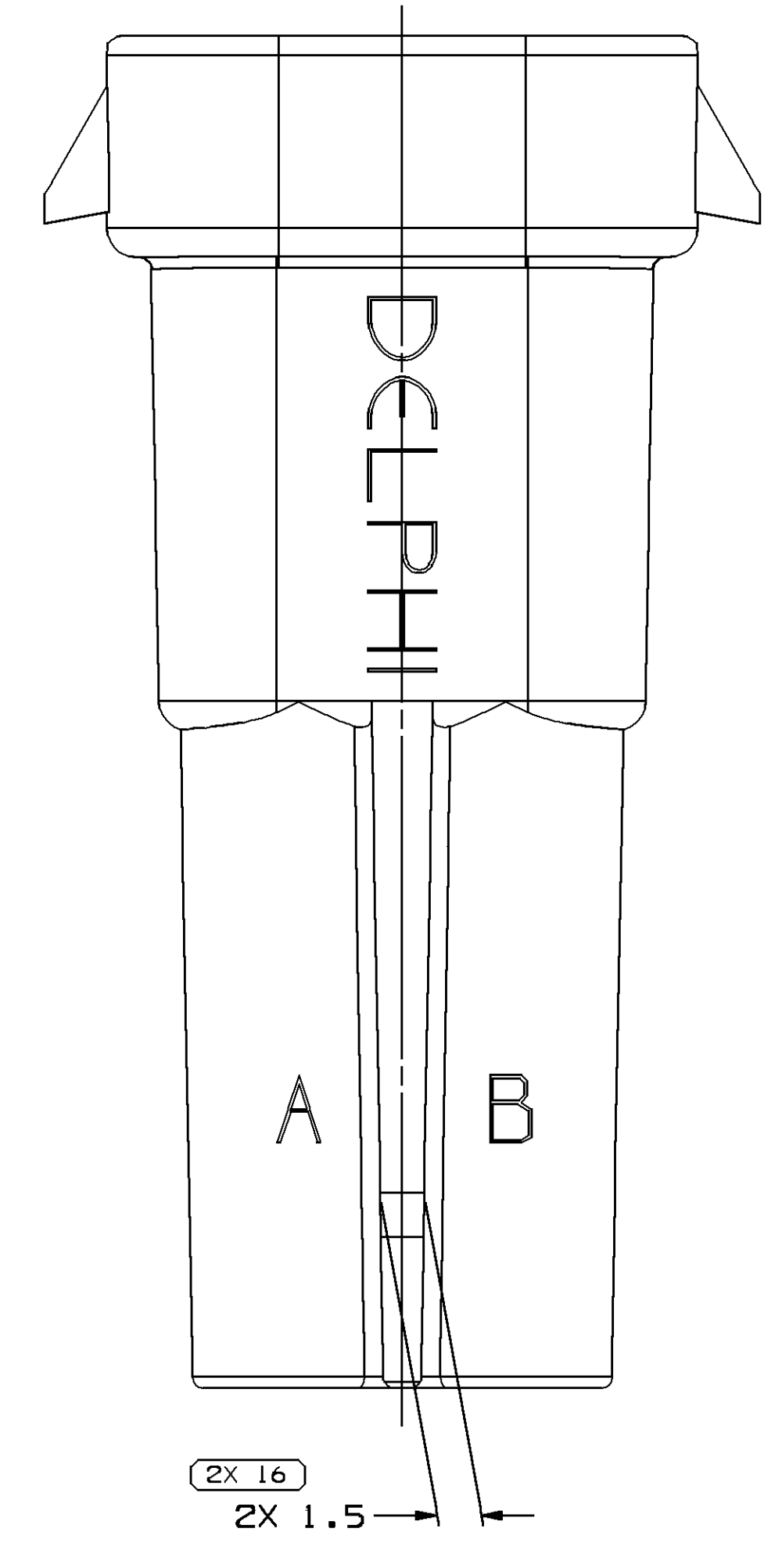
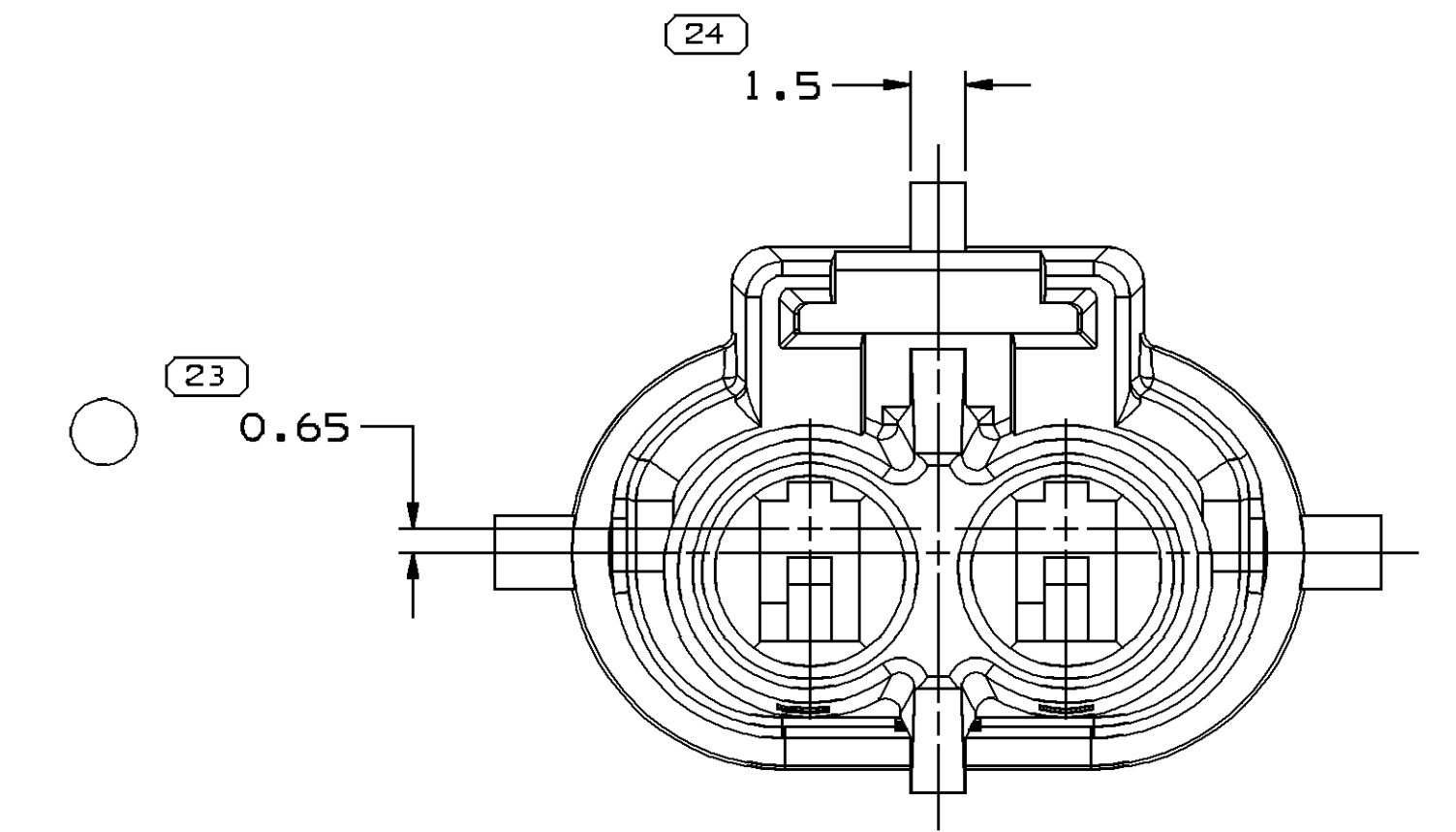
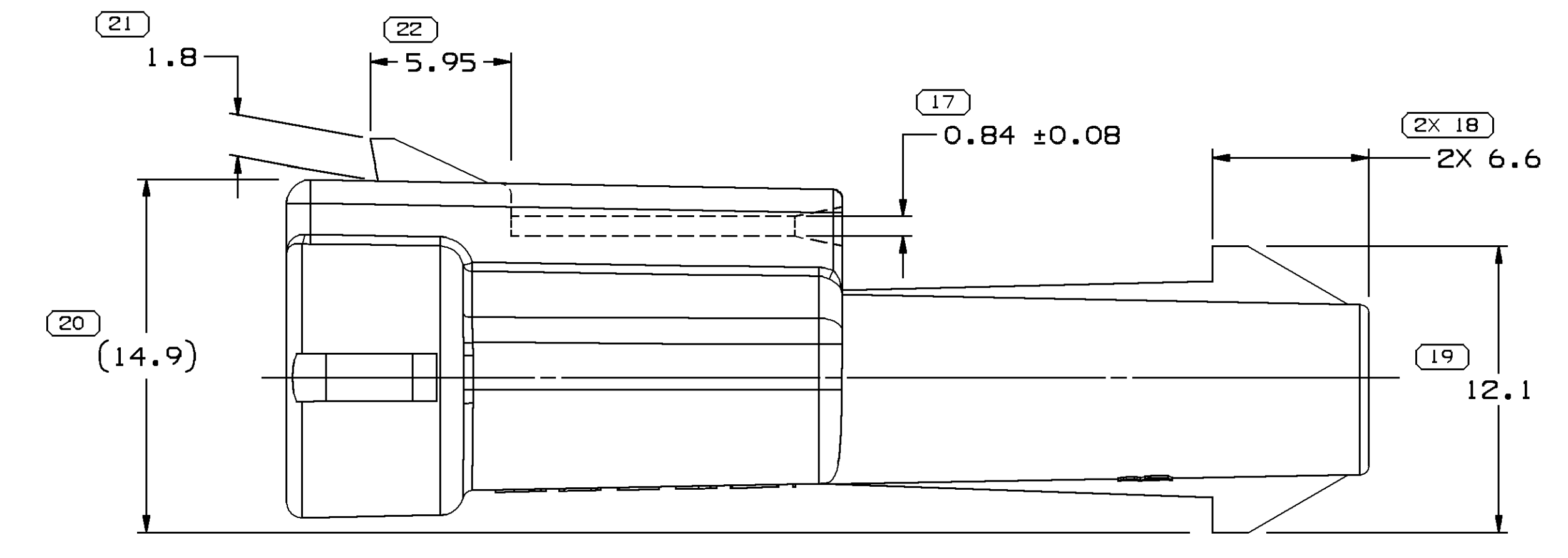
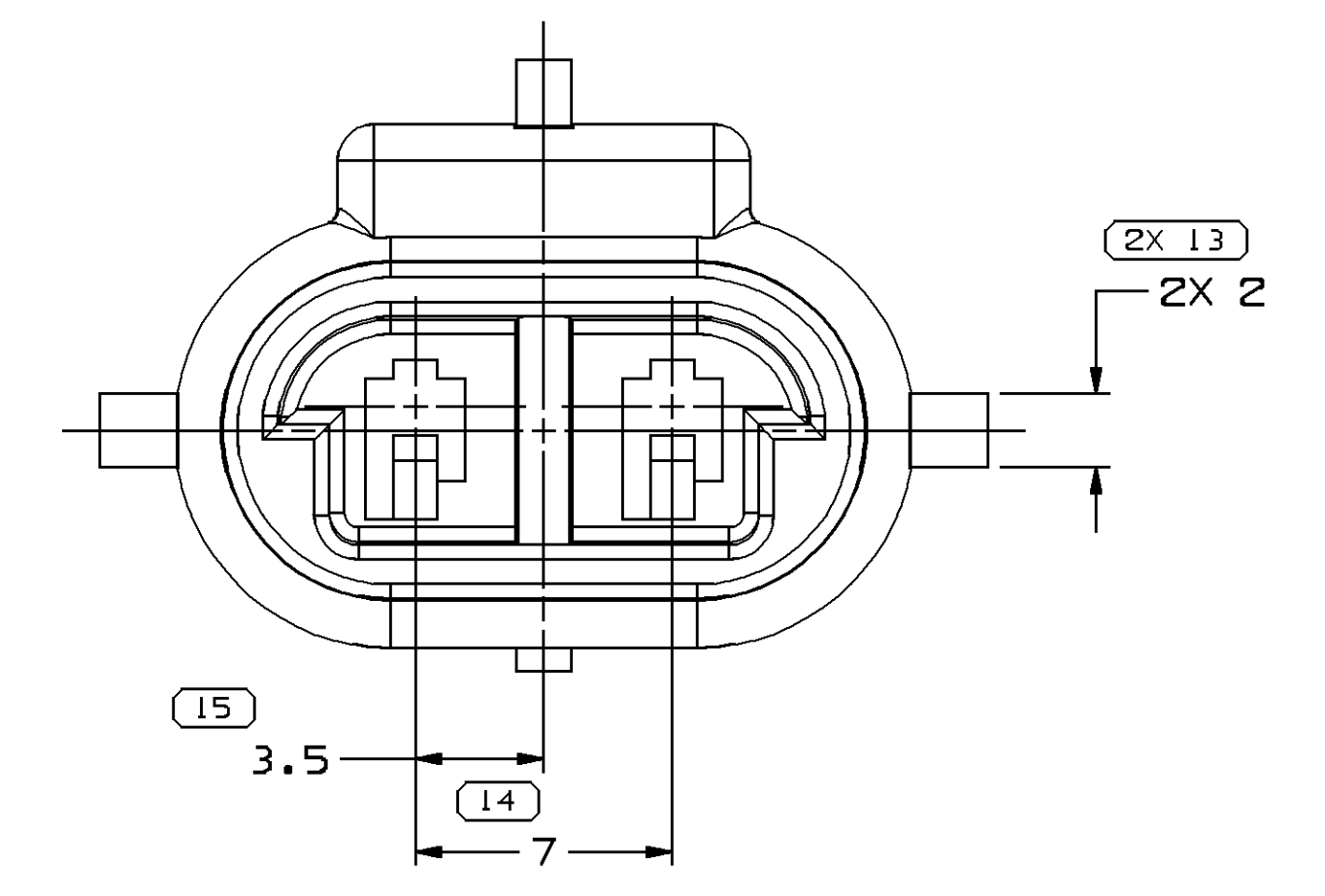
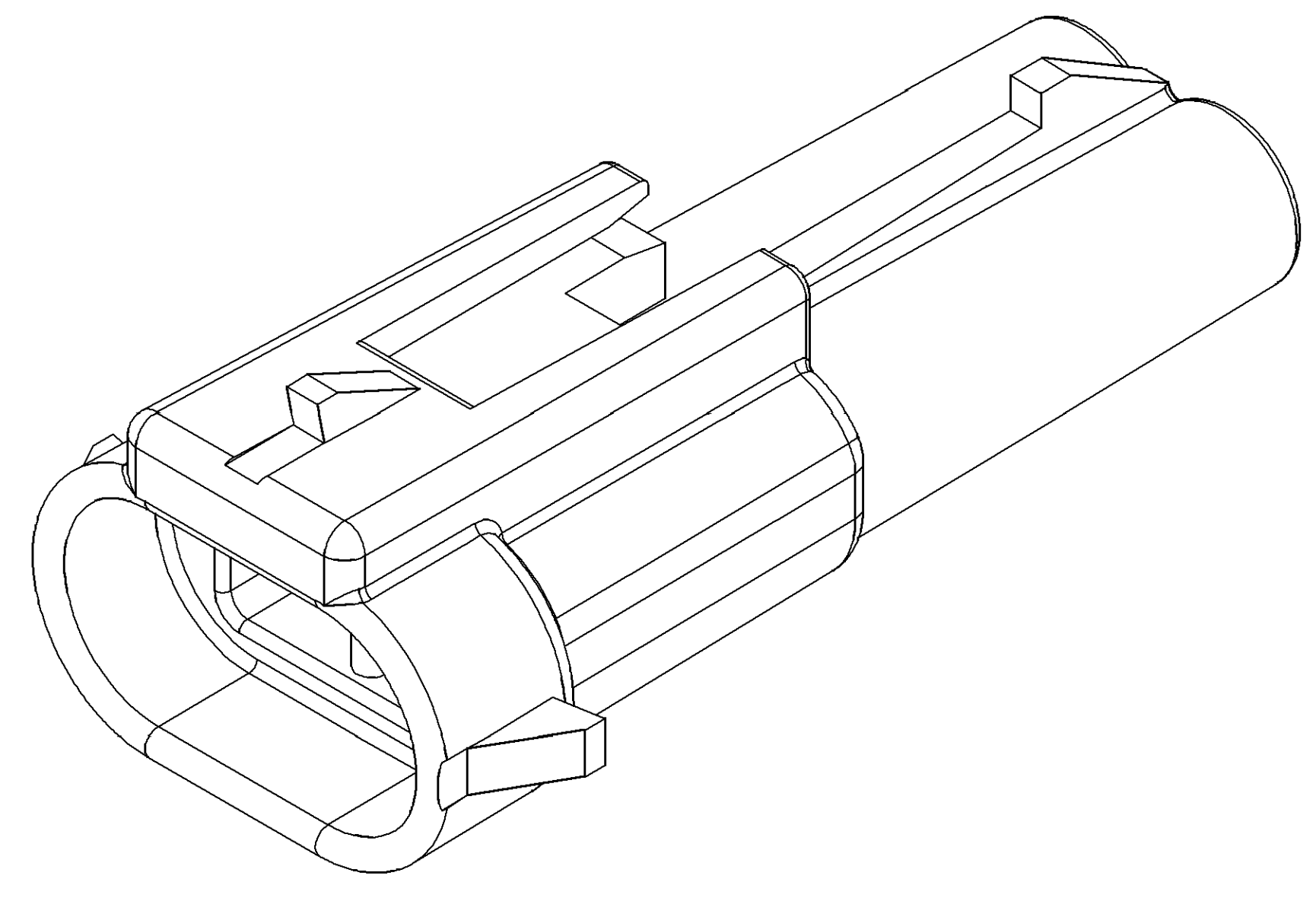
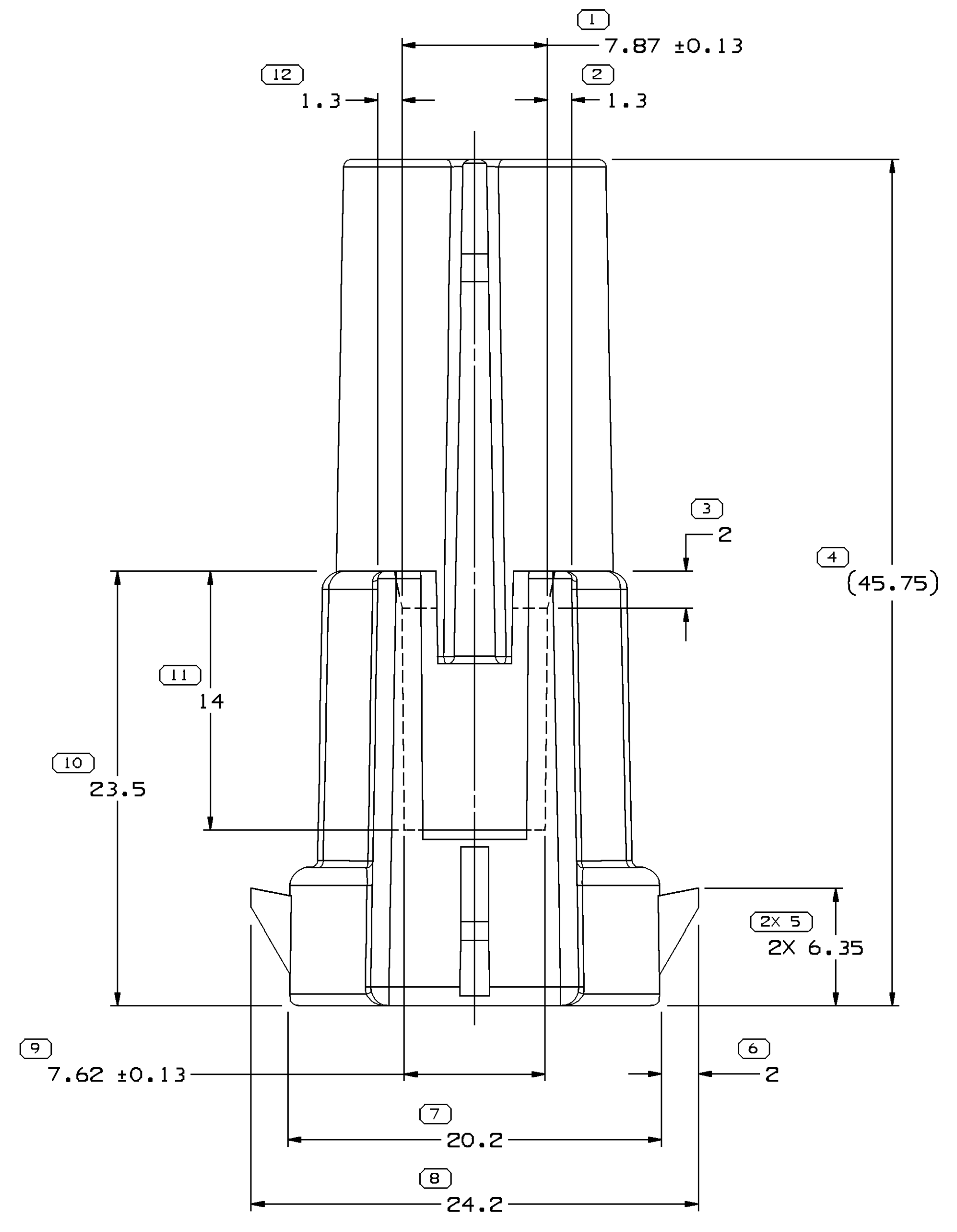


SYMBOL DEFINITION		TOTAL NO OF INSPECTIONS REQUIRED		MISSING SYMBOLS	
A DIMENSION WITHOUT AN INSPECTION REPORT SYMBOL DOES NOT REQUIRE INSPECTION. IT MAY BE CONTROLLED ON THE INDIVIDUAL COMPONENT DRAWING.		28		NO MISSING SYMBOL NUMBER	
		LAST NO. USED	24		

DWG STATUS				REVISION HISTORY				AUTH		DR		AP/VD	
DATE	STG	REV	N/P	CHG	ZONE								
210C98	R	A	-	-		WAS PE069099 & RELEASED				980005	MSP	KLC	
04JA99	R	A1	-	-		UPDATED PDM ATTRIBUTES				186843	MSP	KLC	
17FE06	R	A2	-	-		ADDED DIM 23				277589	HCB	JAA	BDG



NOTES

- UNLESS OTHERWISE SPECIFIED AND/OR INDICATED:
DIMENSIONS ARE TO FACE OF VIEW SHOWN AND AUTOMATICALLY ROUNDED BY COMPUTER FOR INSPECTION (SEE MATH MODEL FOR PRECISE DIMENSIONS). FOR ALL OTHER DIMENSIONS NOT SHOWN BUT REQUIRED FOR TOOL BUILD, SEE MATH MODEL FOR PRECISE TOOL PATH DATA.
- MATERIAL RECYCLING CODE PER ISO 11469. (2.3)X(0.1) RAISED CHARACTERS AS SHOWN TO BE LOCATED ON ANY EXTERIOR SURFACE. OPTIONAL CONSTRUCTION TO BE NO MATERIAL RECYCLING CODE.
- REFERENCE MATING COMPONENTS OR EQUIVALENT:
CONNECTOR 12162017
- THIS PART ACCEPTS THE FOLLOWING COMPONENTS OR EQUIVALENT:
TERMINAL 12045773
CABLE SEAL 12048086
TPA 12124824
- (2.3)X(0.1) DELPHI CORPORATE BRAND TO BE LOCATED ON ANY EXTERIOR SURFACE, PREFERABLY VISIBLE AT FINAL ASSEMBLY. OPTIONAL CONSTRUCTION FOR EXISTING TOOLING MAY BE "PED".

DIMENSIONAL RANGE (MM)		SHORT ET	
FROM	TO		
> 0	> 30	> 100	> 300
20	30	100	300
TOLERANCE UNLESS OTHERWISE SPECIFIED		ANGULAR TOLERANCE 32°	
±0.15	±0.2	±0.3	±0.4
±0.5	±0.6	±0.8	±1
±1	±1.2		

DELPHI
DELPHI PACKARD ELECTRIC SYSTEMS
WARREN, OH

DR	DATE
APV01 M. PANNU	210C98
APV02 K. CARLTON	21DE98
APV03 J. BUCKLES	21DE98
APV04	
APV05	

THIS DOCUMENT IS IN ACCORDANCE WITH ASME Y14.5M-1994 AS MODIFIED BY THE IN-SITU DIMENSIONING AND TOLERANCE ADDENDUM-2001. SEPARATE NOTATIONS OF FEATURES MAY BE BASED SEPARATELY PER RELEASE OF DRAWING REFERENCES.

ALL DIMENSIONS ARE IN MILLIMETERS

UNLESS OTHERWISE SPECIFIED

DWG TYPE: PART DRAWING

STYLE: D

VOLUME 10/P: 4,091

DISTR CODE: D

THIRD ANGLE PROJECTION

DO NOT SCALE

USE MATH DATA

SCALE: 5:1

FRAME NO: 1

SHEET NO: 1

OF: 1

STG: R

REV: A2

N/P: -

DRAWING NAME: CONN 2 M M/P 150 GRA MD

DRAWING NUMBER: 15339016

DATE: 02-24-06

TIME: 09:36

Mouser Electronics

Authorized Distributor

Click to View Pricing, Inventory, Delivery & Lifecycle Information:

[Aptiv:](#)
[15339016](#)