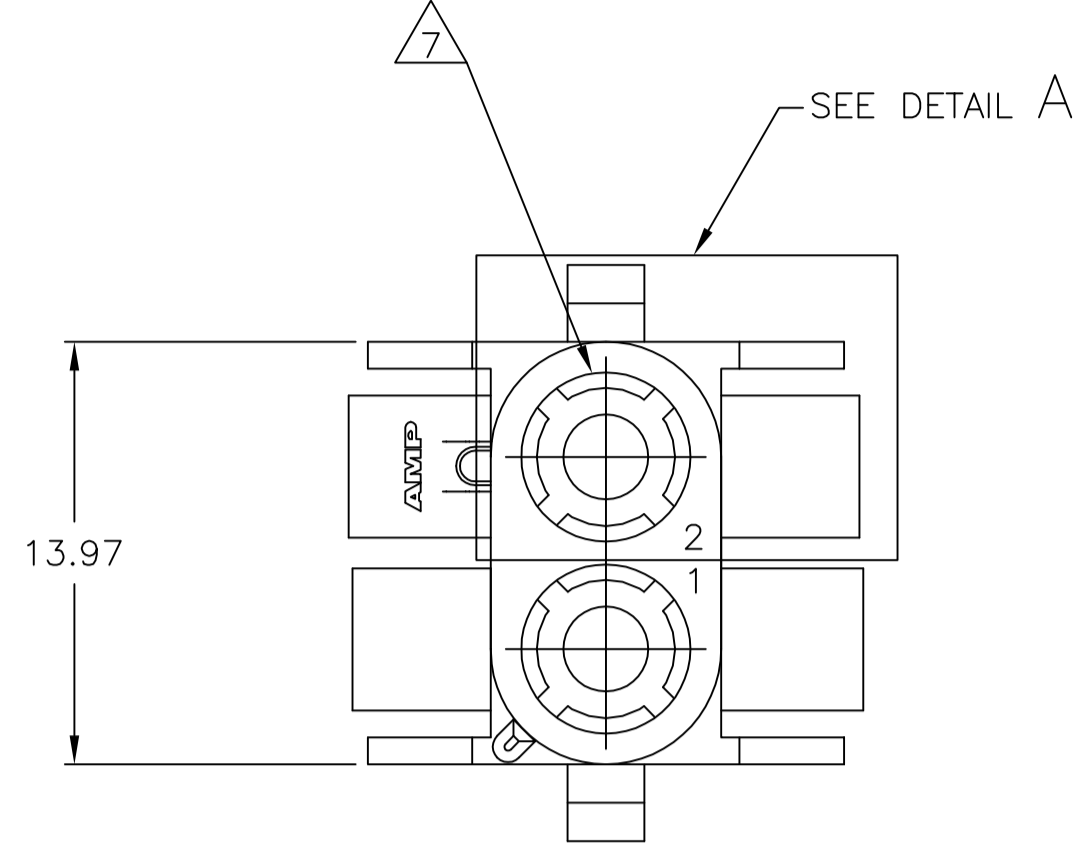
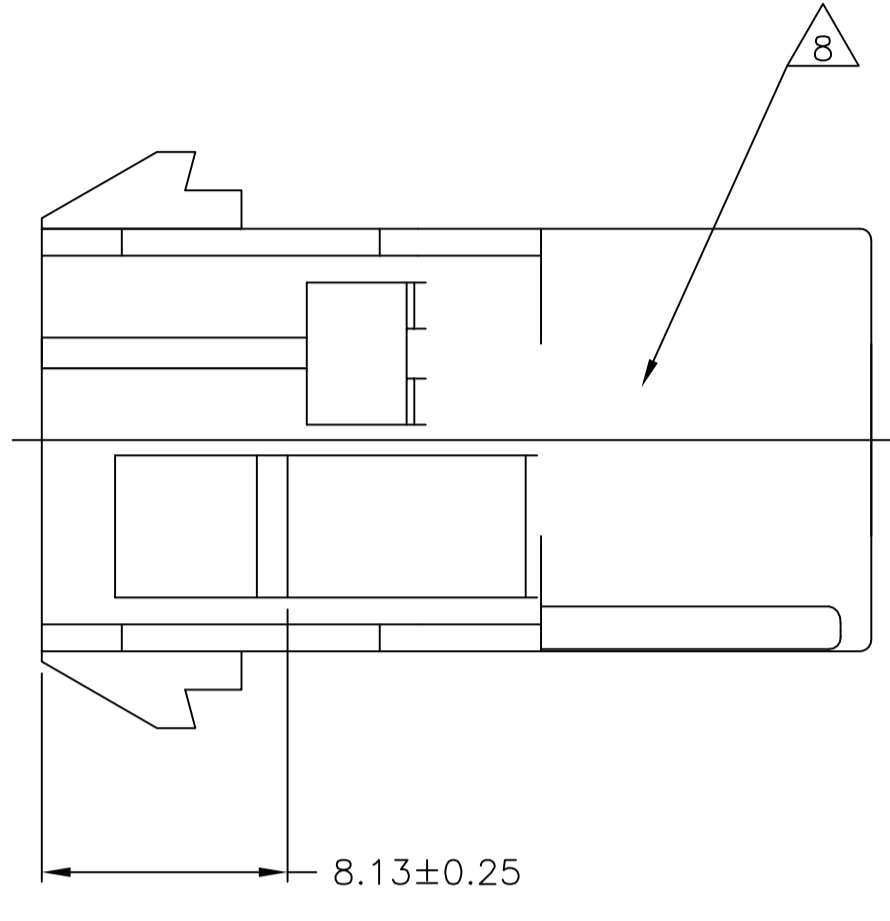
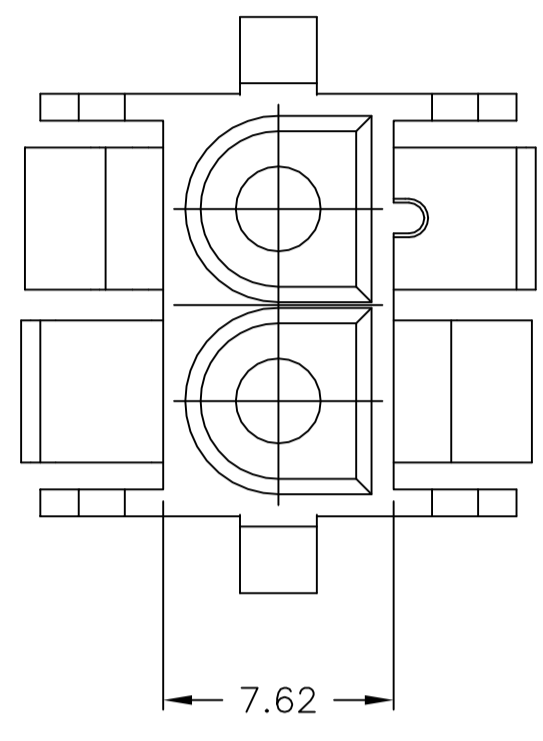
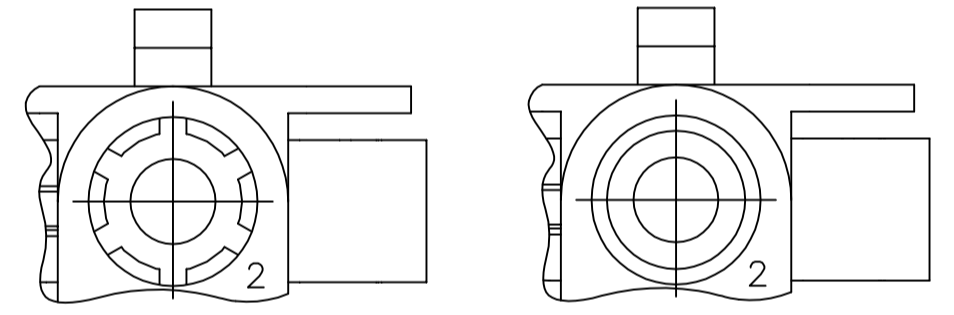


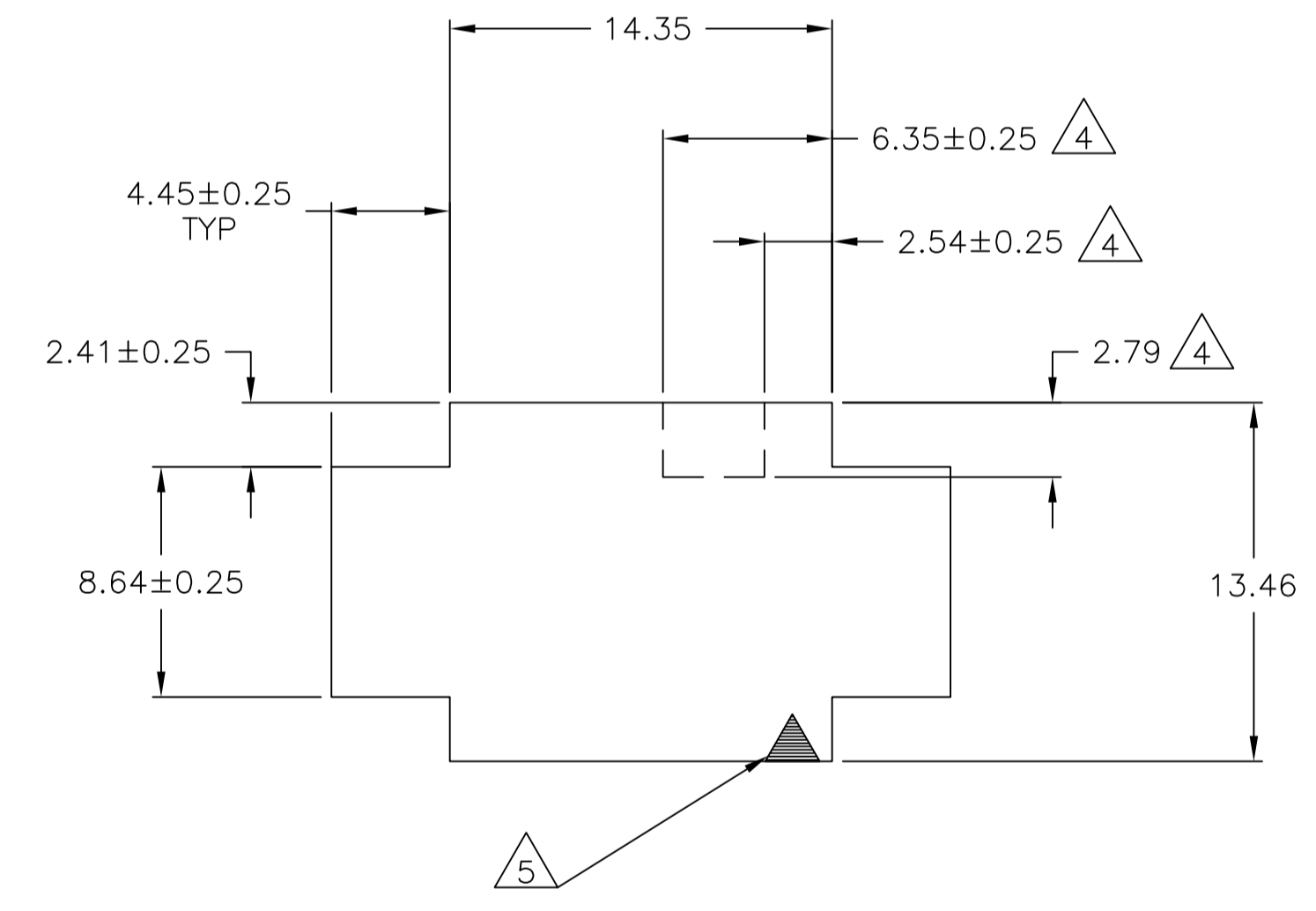
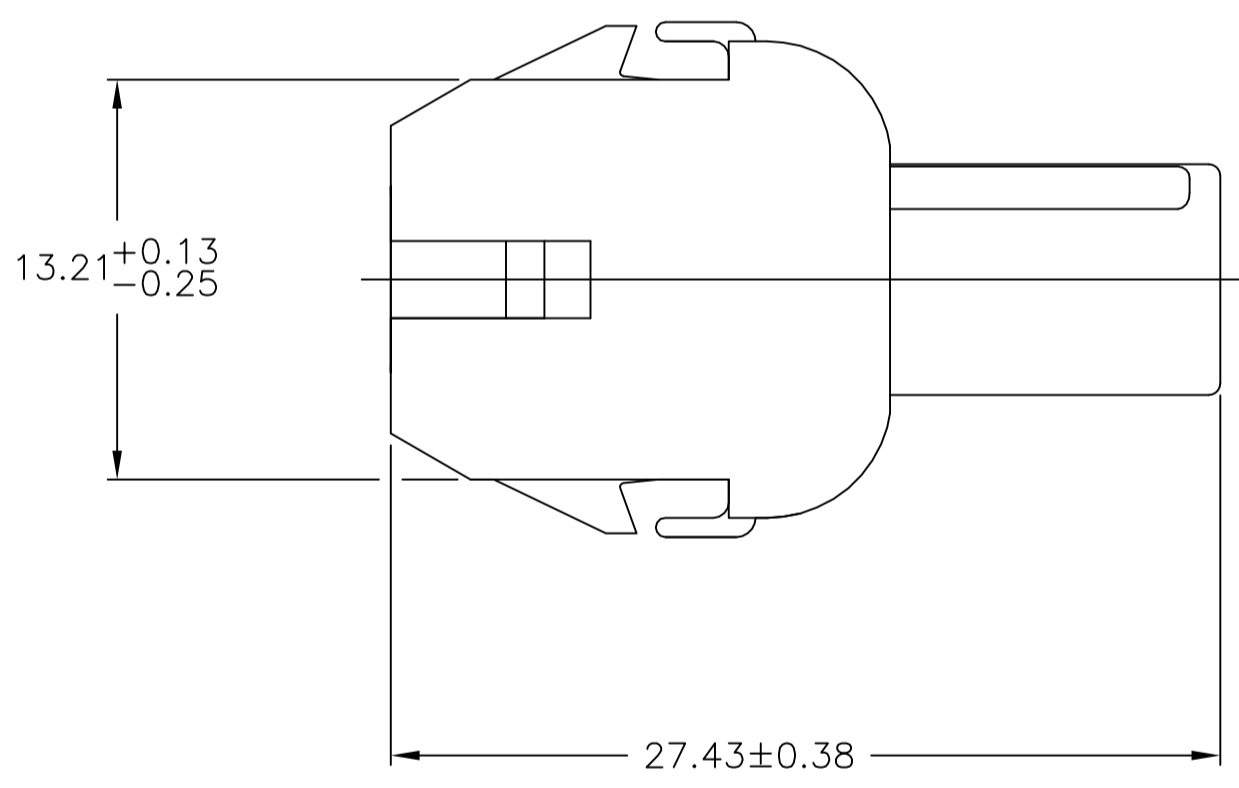
REVISIONS				
P	LTR	DESCRIPTION	DATE	OWN APVD
B1		REVISED PER ECR-17-015449	26OCT2017	BDA KR



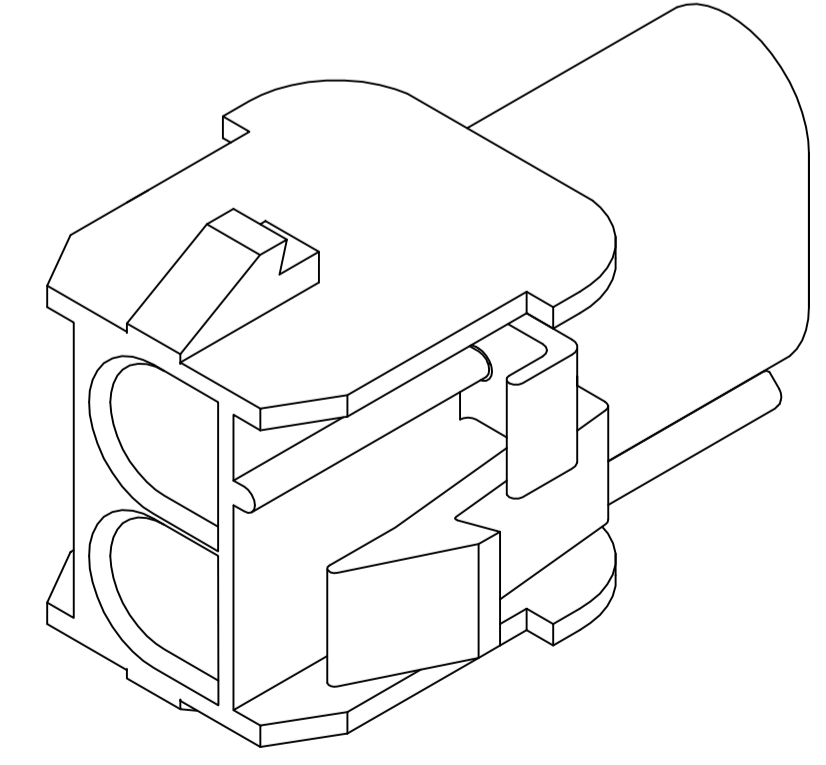
1. MATES WITH APPROPRIATE UNIVERSAL MATE-N-LOK™ PLUG.
2. RECOMMENDED PANEL THICKNESS 0.76 - 2.29.
3. PANEL MUST BE PUNCHED SO THAT THE HOUSING ENTERS THE PANEL IN THE SAME DIRECTION AS THE PUNCH.
4. OPTIONAL FOR KEYING HOUSING IN PANEL.
5. CIRCUIT NUMBER 1 LOCATION.
6. DIMENSIONS SHOWN REPRESENT PRODUCT IN DRY, AS MOLDED, CONDITION. ADDITIONAL 2% GROWTH DUE TO SUBSEQUENT MOISTURE ABSORPTION MAY OCCUR AND SHOULD BE ACCOUNTED FOR.
7. FOUR RIBS EQUALLY SPACED, NO SPECIFIC ORIENTATION. NO RIBS OR SIX RIBS EQUALLY SPACED, NO SPECIFIC ORIENTATION, OPTIONAL.
8. UNDERWRITERS RECOGNIZED COMPONENT LOGO AND CSA CERTIFICATION LOGO TO BE LOCATED ONCE EACH ON SIDE OF HOUSING.
9. FLAMMABILITY V2 FOR THICKNESS 0.38mm, 1.5mm, and 3.0mm PER IEC 60695-11-10.
10. GLOW-WIRE FLAMMABILITY (GWI) 800°C FOR THICKNESS 0.38mm AND 0.75mm PER IEC 60695-2-12.
11. GLOW-WIRE FLAMMABILITY (GWI) 960°C FOR THICKNESS 1.5mm AND 3.0mm PER IEC 60695-2-12.
12. GLOW-WIRE IGNITION (GWI) 825°C FOR THICKNESS 0.38mm, 0.75mm, 1.5mm AND 3.0mm PER IEC 60695-2-13.



DETAIL A
OPTIONAL CONSTRUCTIONS



RECOMMENDED PANEL CUT OUT



3-DIMENSIONAL MODEL
NTS

	3	.118	27.43	1.080
	2.79	.110	14.35	.565
	2.54	.100	13.97	.550
	2.41	.095	13.46	.530
	2.29	.090	13.21	.520
	0.76	.030	8.64	.340
	0.4	.016	8.13	.320
	0.38	.015	7.62	.300
	0.25	.010	6.35	.250
	0.13	.005	4.45	.175
	MM	IN	MM	IN

CONVERSION TABLE

NATURAL	1586856-1
COLOR	PART NO

THIS DRAWING IS A CONTROLLED DOCUMENT.

DIMENSIONS:	TOLERANCES UNLESS OTHERWISE SPECIFIED:	DWN K. WHITAKER 19JUL2007	APVD D. COLEY 19JUL2007	NAME CAP,2 CIRCUIT, UNIVERSAL MATE-N-LOK
mm	0 PLC ± - 1 PLC ± - 2 PLC ± 0.13 3 PLC ± - 4 PLC ± - ANGLES ± 1°	CHK D. COLEY 19JUL2007	PRODUCT SPEC	APPLICATION SPEC
MATERIAL NYLON,UL 94V-2	FINISH -	SIZE A1	CAGE CODE 00779	DRAWING NO 1586856
CUSTOMER DRAWING		SCALE 4:1	SHEET 1 OF 1	REV B1

STE TE Connectivity

Mouser Electronics

Authorized Distributor

Click to View Pricing, Inventory, Delivery & Lifecycle Information:

[TE Connectivity:](#)

[1586856-1](#)