

NOTES:

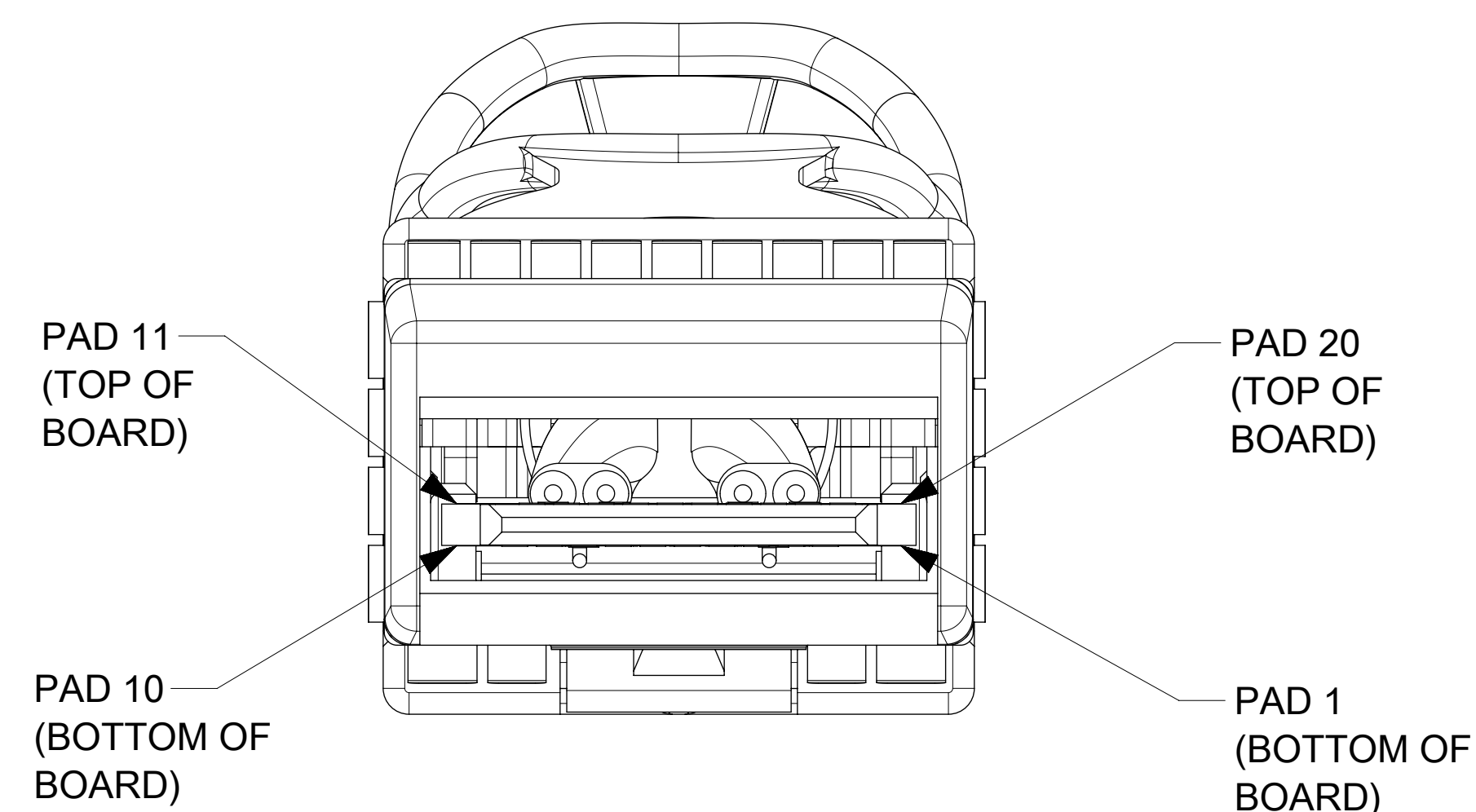
1. MATERIALS
 - BACKSHELLS- NICKEL PLATED ZINC
 - DE-LATCH - PLASTIC
 - PCB - FR-4
 - RIVETS - STAINLESS STEEL
2. IMPEDANCE - 100 OHMS DIFFERENTIAL, PASSIVE
3. PULL TO RELEASE, PLUNGER STYLE LATCH
4. EACH ASSEMBLY HAS A SERIAL ID
5. 11.09 Gbps BACKWARDS COMPATIBLE TO 1.0625 Gbps
6. RoHS COMPLIANT, NO EXEMPTIONS


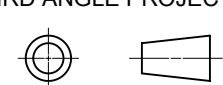
THIS DRAWING CONTAINS INFORMATION THAT IS PROPRIETARY TO MOLEX ELECTRONIC TECHNOLOGIES, LLC AND SHOULD NOT BE USED WITHOUT WRITTEN PERMISSION									
DIMENSION UNITS		SCALE		CURRENT REV DESC: OBSOLETE PART NO					
mm		2:1		<div style="text-align: center; font-size: 24pt; font-weight: bold;">molex</div> <p>SFP+ TO SFP+ 10G PASSIVE CABLE ASSEMBLY</p> <p>PRODUCT CUSTOMER DRAWING</p>					
GENERAL TOLERANCES (UNLESS SPECIFIED)									
ANGULAR TOL		± 2.0°							
4 PLACES		±							
3 PLACES		±							
2 PLACES		± 0.13							
1 PLACE		± 0.25		EC NO: 625872		2019/08/19		DOCUMENT NUMBER	
0 PLACES		±		DRWN: VLOKESHA		2019/11/06		747520001	
DRAFT WHERE APPLICABLE MUST REMAIN WITHIN DIMENSIONS		THIRD ANGLE PROJECTION		DRAWING		SERIES		MATERIAL NUMBER	
				D-SIZE		74752		SEE PN TABLE	
								CUSTOMER	
								GENERAL MARKET	
								SHEET NUMBER	
								1 OF 3	

WIRING DIAGRAM				
P1 END			P2 END	
PAD	SIGNAL		PAD	SIGNAL
12	RD-	<-----	19	TD-
13	RD+	<-----	18	TD+
18	TD+	----->	13	RD+
19	TD-	----->	12	RD-

LOW SPEED SIGNALS	
SFP+	
PAD	SIGNAL
02	Tx_Fault
03	Tx_Disable
04	SDA
05	SCL
06	Mod_ABS
07	RS0
08	Rx_LOS
09	RS1
15	VccR
16	VccT

CUSTOM LENGTHS AVAILABLE.
LONGER LENGTH APPLICATIONS REQUIRE
HOST SYSTEM PRE-EMPHASIS AND
EQUALIZATION.
SEE DATASHEET FOR MORE INFORMATION.



THIS DRAWING CONTAINS INFORMATION THAT IS PROPRIETARY TO MOLEX ELECTRONIC TECHNOLOGIES, LLC AND SHOULD NOT BE USED WITHOUT WRITTEN PERMISSION									
DIMENSION UNITS		SCALE		CURRENT REV DESC: OBSOLETE PART NO					
mm		7:1		 <p>SFP+ TO SFP+ 10G PASSIVE CABLE ASSEMBLY</p> <p>PRODUCT CUSTOMER DRAWING</p>					
GENERAL TOLERANCES (UNLESS SPECIFIED)									
ANGULAR TOL		± 2.0°							
4 PLACES		±							
3 PLACES		±							
2 PLACES		± 0.13		EC NO: 625872		2019/08/19			
1 PLACE		± 0.25		DRWN: VLOKESHA		2019/11/06			
0 PLACES		±		CHK'D: GB		2019/11/12			
DRAFT WHERE APPLICABLE		THIRD ANGLE PROJECTION		DRAWING		SERIES		DOCUMENT NUMBER	
MUST REMAIN WITHIN DIMENSIONS				D-SIZE		74752		747520001	
				MATERIAL NUMBER		CUSTOMER		DOC TYPE DOC PART REVISION	
				SEE PN TABLE		GENERAL MARKET		PSD 000 V1	
								SHEET NUMBER	
								2 OF 3	

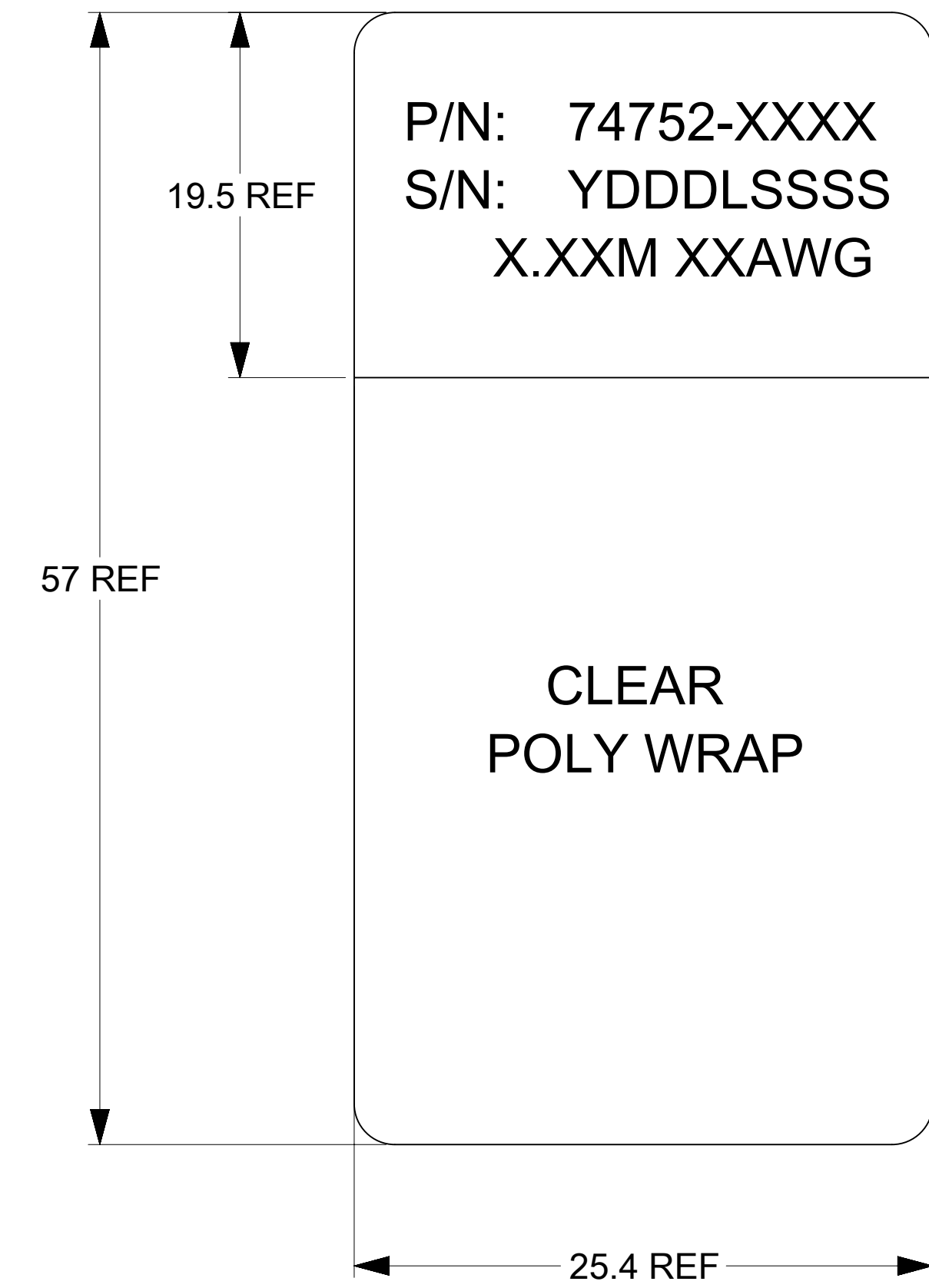
PART NUMBER TABLE

PART NUMBER	LENGTH	TOL.	AWG
747521031	0.30M	± 0.03M	30
747521034	0.34M	± 0.03M	30
747521051	0.50M	± 0.05M	30
747521101	1.0M	± 0.05M	30
747521151	1.5M	± 0.05M	30
747521201	2.0M	± 0.05M	30
747521251	2.5M	± 0.05M	30
747521301	3.0M	± 0.05M	30
747521401	4.0M	± 0.05M	30
747521501	5.0M	± 0.08M	30
747521601	6.0M	± 0.08M	30
747521701	7.0M	± 0.08M	30
747521801	8.0M	± 0.08M	30
747521901	9.0M	± 0.08M	30
747529001	10.0M	± 0.08M	30
747522031	0.30M	± 0.03M	28
747522051	0.50M	± 0.03M	28
747522101	1.0M	± 0.05M	28
747522151	1.5M	± 0.05M	28
747522201	2.0M	± 0.05M	28
747522301	3.0M	± 0.05M	28
747522501	5.0M	± 0.08M	28
747522701	7.0M	± 0.08M	28
747522801	8.0M	± 0.08M	28
747522901	9.0M	± 0.08M	28
747529002	10.0M	± 0.08M	28
747529010	15.0M	± 0.08M	28

*1M AND SHORTER LENGTH CABLES ARE NOT FULLY COMPLIANCE WITH SFF-8431 FOR SCC11.

PART NUMBER	LENGTH	TOL.	AWG
747523051	0.50M	± 0.03M	26
747523061	0.60M	± 0.03M	26
747523101	1.0M	± 0.05M	26
747523201	2.0M	± 0.05M	26
747523301	3.0M	± 0.05M	26
747523501	5.0M	± 0.08M	26
747523701	7.0M	± 0.08M	26
747523901	9.0M	± 0.08M	26
747529003	10.0M	± 0.08M	26
747529225	1.6M	± 0.05M	26
747529226	1.75M	± 0.05M	26
747529227	2.25M	± 0.05M	26
747524051	0.50M	± 0.03M	24
747524101	1.0M	± 0.05M	24
747524201	2.0M	± 0.05M	24
747524301	3.0M	± 0.05M	24
747524401	4.0M	± 0.05M	24
747524501	5.0M	± 0.08M	24
747524541	5.4M	± 0.08M	24
747524571	5.7M	± 0.08M	24
747524601	6.0M	± 0.08M	24
747524701	7.0M	± 0.08M	24
747524801	8.0M	± 0.08M	24
747524901	9.0M	± 0.08M	24
747529004	10.0M	± 0.08M	24
747529013	11.0M	± 0.08M	24
747529008	12.0M	± 0.08M	24
747529015	13.0M	± 0.08M	24
747529016	14.0M	± 0.08M	24
747529007	15.0M	± 0.08M	24


CABLE LABEL DETAIL



YDDDLSSSS
 Y---YEAR, THE LAST DIGIT OF THE YEAR
 DDD---DAY OF THE YEAR
 L---LOCATION (1=US, 2=MEXICO, 3=CHINA, 4=PHILIPPINES)
 SSSS---SERIAL NUMBER (0001-9999)

X.XXM---LENGTH AS SHOWN IN P/N TABLE

XXAWG---AWG SIZE

THIS DRAWING CONTAINS INFORMATION THAT IS PROPRIETARY TO MOLEX ELECTRONIC TECHNOLOGIES, LLC AND SHOULD NOT BE USED WITHOUT WRITTEN PERMISSION													
DIMENSION UNITS mm		SCALE 1:1		CURRENT REV DESC: OBSOLETE PART NO									
GENERAL TOLERANCES (UNLESS SPECIFIED)				 SFP+ TO SFP+ 10G PASSIVE CABLE ASSEMBLY PRODUCT CUSTOMER DRAWING									
ANGULAR TOL ± 2.0°		4 PLACES ±								EC NO: 625872		2019/08/19	
3 PLACES ±		2 PLACES ± 0.13								DRWN: VLOKESHA		2019/11/06	
1 PLACE ± 0.25		0 PLACES ±								CHK'D: GB		2019/11/12	
DRAFT WHERE APPLICABLE MUST REMAIN WITHIN DIMENSIONS		THIRD ANGLE PROJECTION								APPR: GGA		INITIAL REVISION:	
DOCUMENT STATUS		P1		RELEASE DATE		2019/11/12 07:19:38		DRWN: DRAMIREZ02 2016/11/17 APPR: ARAYBURN 2016/11/22					
DOCUMENT NUMBER 747520001				DOC TYPE PSD		DOC PART 000		REVISION V1					
MATERIAL NUMBER SEE PN TABLE				CUSTOMER GENERAL MARKET				SHEET NUMBER 3 OF 3					