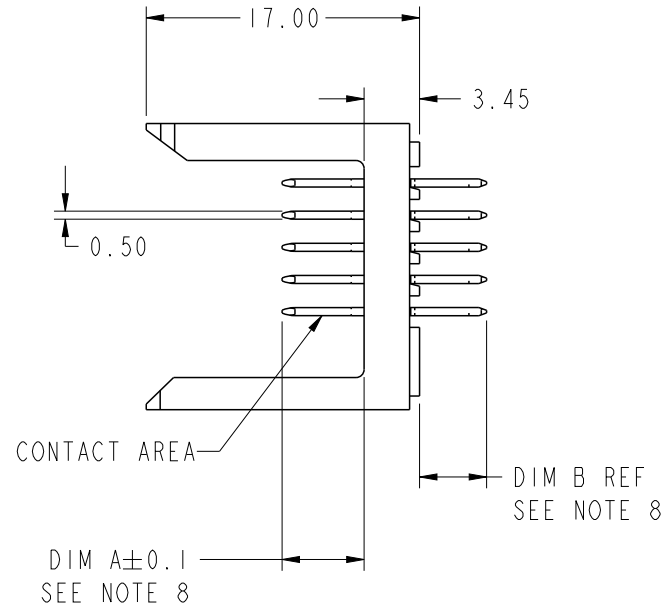
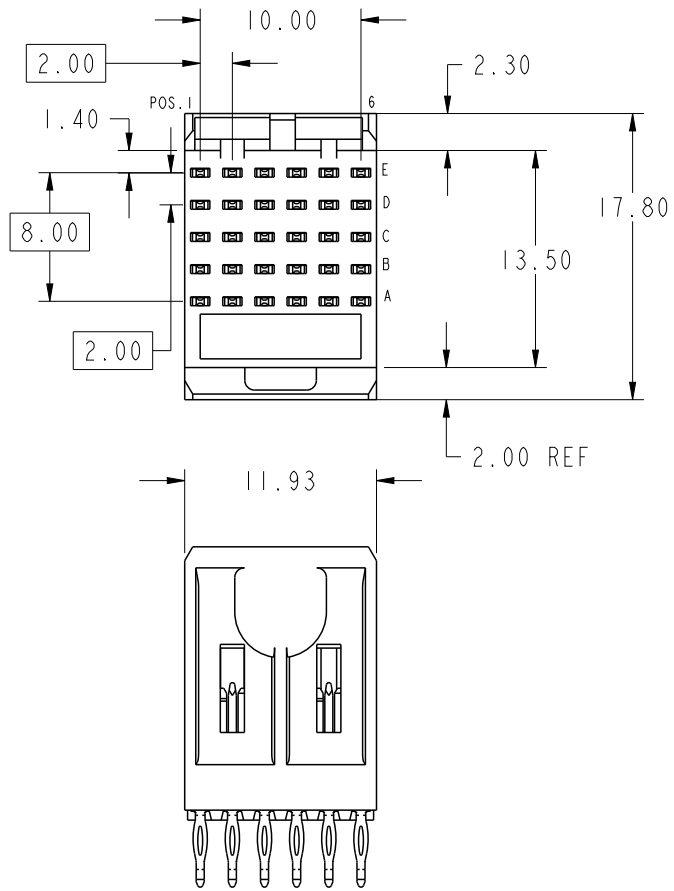
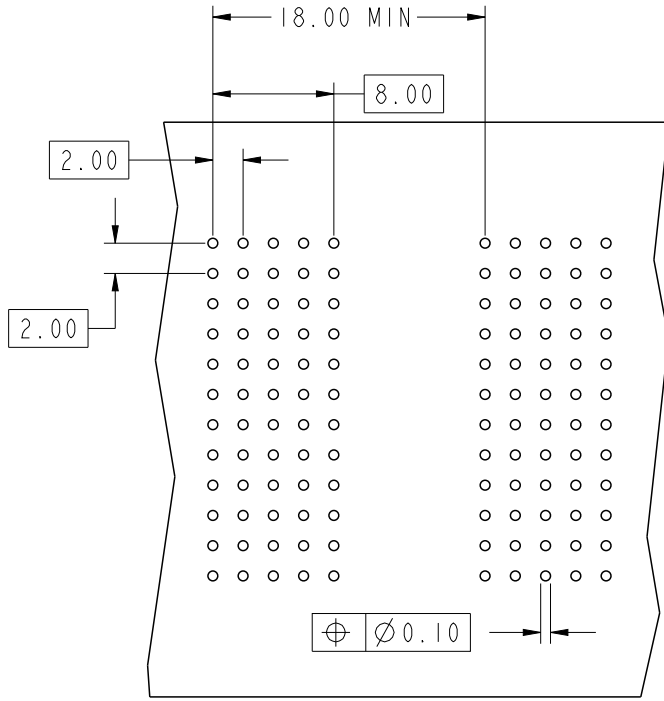


PRODUCT NUMBER
89006-XYLFF



spec ref *		dr Terran Huang		2010/07/09		projection		size A4		scale 2:1	
tolerance std		eng Narayanan, Aru		2018/07/12				mm		ecn no ELX-I-30699-1	
ISO 406 ISO 1101		chr -		-				← →		rel level Released	
TOLERANCES UNLESS OTHERWISE SPECIFIED		appr K-Paul Biju		2018/07/13		product family METRAL		rev		89006	
surface 3.200		linear		0.X ±0.3		Amphenol FCI title METRAL SIGNAL HEADER I MOD, 5 ROW PRESS-FIT www.fci.com		cat. no.		-	
ISO 1302		angular		0° ±2°				Product - Customer Drw		sheet 1 of 9	
								Product - Customer Drw		sheet 1 of 9	



REQUIRED PC BOARD LAYOUT
COMPONENT SIDE
SEE PRINT 58351 FOR
ADDITIONAL PCB INFORMATION

KEY		
CODE	DIMENSIONS	
	DIM "A" MATE	DIM "B" TAIL
1	5.00	4.30
2	5.75	4.30
3	6.50	4.30
4	7.25	4.30
5	5.00	13.60
6	5.75	13.60
7	6.50	13.60
8	7.25	13.60
9	5.00	17.00
10	5.75	17.00
11	6.50	17.00
12	7.25	17.00
13	8.25	4.30
14	8.25	13.60
15	8.25	17.00
16	7.00	4.30
17	7.00	13.60
18	7.00	17.00
19	8.00	4.30
20	8.00	13.60
21	8.00	17.00
59	5.00	11.80

spec ref *		dr Terran Huang		2010/07/09		projection		size A4		scale 2:1	
tolerance std		eng Narayanan, Aru		2018/07/12				mm		ecn no ELX-I-30699-1	
ISO 406 ISO 1101		chr -		-						rel level Released	
surface 3.200		appr K-Paul Biju		2018/07/13		product family METRAL		rev		89006	
ISO 1302		angular 0°		±2°		www.fci.com		title METRAL SIGNAL HEADER		cat. no. -	
		0.X ±0.3		0.XX ±0.13		0.XXX ±0.050		1 MOD, 5 ROW PRESS-FIT		Product - Customer Drw	
		0°		±2°				Product - Customer Drw		sheet 2 of 9	

A

B

C

D

METRAL P/N	ROW	CONTACT CODE MOD. I					
		1	2	3	4	5	6
89006-X10LF	E	1	1	1	1	1	1
	D	1	1	1	1	1	1
	C	1	1	1	1	1	1
	B	1	1	1	1	1	1
	A	1	1	1	1	1	1

spec ref	*	dr	Terran Huang	2010/07/09	projection	mm	size	A4	scale	1:1
tolerance std	ISO 406 ISO 1101	eng	Narayanan, Aru	2018/07/12			ecn no	ELX-I-30699-1		
surface	3.200 ✓ ISO 1302	chr	-	-			rel level	Released		
	linear	appr	K-Paul Biju	2018/07/13	product family	METRAL			rev	BM
	angular	Amphenol FCI		METRAL SIGNAL HEADER			dwg no	89006		
	0.X ±0.3	www.fci.com		1 MOD, 5 ROW PRESS-FIT			Product - Customer Drw			sheet 3 of 9
	0.XX ±0.13	cat. no.		-						
	0.XXX ±0.050									
	0° ±2°									

A

B

C

D

A

B

C

D

METRAL P/N	ROW	CONTACT CODE MOD. I						METRAL P/N	ROW	CONTACT CODE MOD. I						METRAL P/N	ROW	CONTACT CODE MOD. I						METRAL P/N	ROW	CONTACT CODE MOD. I						METRAL P/N	ROW	CONTACT CODE MOD. I													
		1	2	3	4	5	6			1	2	3	4	5	6			1	2	3	4	5	6			1	2	3	4	5	6			1	2	3	4	5	6	1	2	3	4	5	6		
89006-X36LF	E	10	10	10	10	10	10	89006-X41LF	E	2	2	2	2	2	2	89006-X45LF	E	1	1	1	1	1	1	89006-X49LF	E	4	4	4	4	4	4	89006-X53LF	E	6	6	6	6	6	6	89006-X57LF	E	6	6	6	6	6	6
	D	10	10	10	10	10	10		D	1	1	1	1	1	1		D	19	19	19	19	19	19		D	3	3	3	3	3	3		D	6	6	6	6	6	6		D	7	7	7	7	7	7
	C	10	10	10	10	10	10		C	2	2	2	2	2	2		C	1	1	1	1	1	1		C	3	3	3	3	3	3		C	6	6	6	6	6	6		C	6	6	6	6	6	6
	B	10	10	10	10	10	10		B	2	2	2	2	2	2		B	19	19	19	19	19	19		B	3	3	3	3	3	3		B	6	6	6	6	6	6		B	6	6	6	6	6	6
	A	10	10	10	10	10	10		A	3	3	3	3	3	3		A	1	1	1	1	1	1		A	19	19	19	19	19	19		A	8	8	8	8	8	8		A	7	7	7	7	7	7

spec ref	*	dr	Terran Huang	2010/07/09	projection		size	A4	scale	1:1			
tolerance std	TOLERANCES UNLESS OTHERWISE SPECIFIED	eng	Narayanan, Aru	2018/07/12		mm	ecn no	ELX-I-30699-1					
ISO 406		chr	-	-				rel level	Released				
ISO 1101		appr	K-Paul Biju	2018/07/13					product family	METRAL			
surface	3.200	linear	0.X	±0.3		METRAL SIGNAL HEADER	dwg no	89006			rev	BM	
ISO 1302	angular	0.XX	±0.13					cat. no.	-	Product - Customer Drw			sheet 4 of 9
		0.XXX	±.050										
		angular	0°	±2°	www.fci.com								

A

B

C

D

METRAL P/N	ROW	CONTACT CODE MOD. I						METRAL P/N	ROW	CONTACT CODE MOD. I						METRAL P/N	ROW	CONTACT CODE MOD. I						METRAL P/N	ROW	CONTACT CODE MOD. I						METRAL P/N	ROW	CONTACT CODE MOD. I													
		1	2	3	4	5	6			1	2	3	4	5	6			1	2	3	4	5	6			1	2	3	4	5	6			1	2	3	4	5	6	1	2	3	4	5	6		
89006-X61LF	E	10	10	10	10	10	10	89006-X65LF	E	9	9	9	9	9	9	89006-X69LF	E	12	12	12	12	12	12	89006-X73LF	E	4	4	4	4	4	4	89006-X77LF	E	3	3	3	3	3	3	89006-X81LF	E	7	7	7	7	7	7
	D	9	9	9	9	9	9		D	21	21	21	21	21	D		11	11	11	11	11	11	D		4	4	4	4	4	4	D		19	19	19	19	19	19	D		20	20	20	20	20	20	
	C	10	10	10	10	10	10		C	9	9	9	9	9	9		C	11	11	11	11	11	11		C	4	4	4	4	4	4		C	4	4	4	4	4	4		C	7	7	7	7	7	7
	B	10	10	10	10	10	10		B	21	21	21	21	21	21		B	11	11	11	11	11	11		B	4	4	4	4	4	4		B	3	3	3	3	3	3		B	20	20	20	20	20	20
	A	11	11	11	11	11	11		A	9	9	9	9	9	9		A	21	21	21	21	21	21		A	13	13	13	13	13	13		A	3	3	3	3	3	3		A	7	7	7	7	7	7

spec ref	*	dr	Terran Huang	2010/07/09	projection	mm	size	A4	scale	1:1								
tolerance std	TOLERANCES UNLESS OTHERWISE SPECIFIED	eng	Narayanan, Aru	2018/07/12			ecn no	ELX-I-30699-1										
ISO 406		chr	-	-				rel level	Released									
ISO 1101		appr	K-Paul Biju	2018/07/13	product family		METRAL		rev									
surface	3.200 linear	Amphenol FCI			METRAL SIGNAL HEADER			dwg no		89006								
	0.X											±0.3		cat. no.	-		Product - Customer Drw	sheet 5 of 9
	0.XX											±0.13						
	0.XXX	±.050																
ISO 1302	angular	0°		±2°														

A

B

C

D

METRAL P/N	ROW	CONTACT CODE MOD. I					
		1	2	3	4	5	6
89006-X85LF	E	7	7	7	7	7	7
	D	7	7	7	7	7	7
	C	6	6	6	6	6	6
	B	7	7	7	7	7	7
	A	7	7	7	7	7	7

spec ref	*	dr	Terran Huang	2010/07/09	projection	mm	size	A4	scale	1:1
tolerance std	ISO 406 ISO 1101	eng	Narayanan, Aru	2018/07/12			ecn no	ELX-I-30699-1		
surface	3.200 ✓ ISO 1302	chr	-	-			rel level	Released		
	near	appr	K-Paul Biju	2018/07/13	product family	METRAL			rev	BM
	angular	Amphenol FCI		METRAL SIGNAL HEADER			dwg no	89006		
		www.fci.com		1 MOD, 5 ROW PRESS-FIT			Product - Customer Drw		sheet 6 of 9	

A

B

C

D

METRAL P/N	ROW	CONTACT CODE MOD. I					
		1	2	3	4	5	6
89006-X109LF	E	59	59	59	59	59	59
	D	59	59	59	59	59	59
	C	59	59	59	59	59	59
	B	59	59	59	59	59	59
	A	77	77	77	77	77	77
89006-X113LF	E	66	66	66	66	66	65
	D	66	66	66	66	66	66
	C	66	66	66	66	66	66
	B	66	66	66	66	66	66
	A	66	66	66	66	66	66
89006-X117LF	E	66	66	66	66	66	66
	D	86	66	66	66	66	66
	C	66	66	66	66	66	66
	B	66	86	66	66	66	66
	A	66	86	66	66	66	66
89006-X121LF	E	86	66	66	66	66	66
	D	86	66	66	66	66	66
	C	56	66	66	66	66	66
	B	86	66	66	66	66	66
	A	86	66	66	66	66	66
89006-X125LF	E	66	66	66	66	66	66
	D	66	66	66	66	66	66
	C	20	20	20	20	20	20
	B	66	66	66	66	66	66
	A	66	66	66	66	66	66
89006-X129LF	E	22	22	22	22	44	44
	D	22	22	22	22	44	44
	C	22	22	22	22	44	42
	B	22	22	22	22	44	44
	A	22	22	22	22	22	21
89006-X110LF	E	32	22	22	22	22	22
	D	32	22	22	22	22	22
	C	32	22	22	22	22	22
	B	32	22	22	22	22	22
	A	32	22	22	22	22	22
89006-X114LF	E	42	23	32	42	42	42
	D	42	23	32	42	42	42
	C	42	23	32	42	42	42
	B	42	23	32	42	42	42
	A	42	23	32	42	42	42
89006-X118LF	E	86	66	66	66	66	66
	D	86	66	66	66	66	66
	C	86	66	66	66	66	66
	B	86	66	66	66	66	66
	A	86	66	66	66	66	66
89006-X122LF	E	33	32	22	22	22	22
	D	22	22	22	22	22	22
	C	22	22	22	22	22	22
	B	22	22	22	22	22	22
	A	22	22	22	22	22	22
89006-X126LF	E	22	22	42	22	22	22
	D	22	22	42	22	22	22
	C	22	22	42	22	22	22
	B	22	22	42	22	22	22
	A	22	22	22	22	22	22
89006-X130LF	E	22	22	22	22	22	22
	D	44	44	44	44	44	44
	C	44	44	44	44	44	44
	B	44	44	44	44	44	44
	A	22	22	22	22	22	22
89006-X111LF	E	22	22	22	22	23	23
	D	22	22	22	22	23	23
	C	22	22	22	22	23	23
	B	22	22	22	22	23	23
	A	22	22	22	22	23	23
89006-X115LF	E	22	22	12	22	22	22
	D	22	22	12	22	22	22
	C	22	22	12	22	22	22
	B	22	22	12	22	22	22
	A	12	22	12	22	22	22
89006-X119LF	E	22	22	22	22	22	22
	D	22	22	22	22	22	22
	C	12	22	22	22	22	22
	B	12	22	22	22	22	22
	A	12	22	22	22	22	22
89006-X123LF	E	22	22	22	22	22	22
	D	22	22	22	22	22	22
	C	19	19	19	19	19	19
	B	22	22	22	22	22	22
	A	22	22	22	22	22	22
89006-X127LF	E	22	42	22	22	22	22
	D	24	42	22	22	22	22
	C	24	42	22	22	22	22
	B	24	42	22	22	22	22
	A	22	42	22	22	22	22
89006-X131LF	E	86	66	86	66	66	66
	D	86	66	86	66	66	66
	C	88	88	88	56	66	66
	B	86	66	86	66	66	66
	A	86	66	86	66	66	66
89006-X112LF	E	76	66	66	66	66	66
	D	76	66	66	66	66	66
	C	76	66	66	66	66	66
	B	76	66	66	66	66	66
	A	76	66	66	66	66	66
89006-X116LF	E	56	66	66	66	66	66
	D	56	66	66	66	66	66
	C	56	66	66	66	66	66
	B	56	66	66	66	66	66
	A	56	66	66	66	66	66
89006-X120LF	E	22	22	22	22	42	42
	D	22	22	22	22	42	42
	C	22	22	22	22	42	42
	B	22	22	22	22	42	42
	A	22	22	22	22	42	42
89006-X124LF	E	22	22	12	22	22	22
	D	22	22	22	22	22	22
	C	22	22	22	22	22	22
	B	22	22	22	22	22	22
	A	22	22	22	22	22	22
89006-X128LF	E	22	22	42	22	22	22
	D	22	22	42	42	22	22
	C	22	22	42	42	22	22
	B	22	22	42	42	22	22
	A	22	22	42	22	22	22
89006-X132LF	E	86	76	66	66	66	66
	D	86	76	66	66	66	66
	C	56	66	86	66	66	66
	B	88	78	86	66	66	66
	A	88	78	86	66	66	66

spec ref	*	dr	Terran Huang	2010/07/09	projection	mm	size	A4	scale	1:1
tolerance std	ISO 406 ISO 1101	eng	Narayanan, Aru	2018/07/12			ecn no	ELX-I-30699-1		
TOLERANCES UNLESS OTHERWISE SPECIFIED		chr	-	-				rel level	Released	
surface	3.200 ✓ ISO 1302	appr	K-Paul Biju	2018/07/13	product family		METRAL		rev	BM
	0.X ±0.3 0.XX ±0.13 0.XXX ±.050	Amphenol FCI		METRAL SIGNAL HEADER			dwg no		89006	
	angular 0° ±2°	www.fci.com		1 MOD, 5 ROW PRESS-FIT			cat. no.		-	
Product - Customer Drw							sheet 7 of 9			

A

B

C

D

METRAL P/N	ROW	CONTACT CODE MOD. I						METRAL P/N	ROW	CONTACT CODE MOD. I						METRAL P/N	ROW	CONTACT CODE MOD. I						METRAL P/N	ROW	CONTACT CODE MOD. I						METRAL P/N	ROW	CONTACT CODE MOD. I												
		1	2	3	4	5	6			1	2	3	4	5	6			1	2	3	4	5	6			1	2	3	4	5	6			1	2	3	4	5	6	1	2	3	4	5	6	
89006-X133LF	E	2	2	2	2	2	89006-X137LF	E	2	2	2	3	3	2	89006-X141LF	E	1	1	1	1	3	3	89006-X145LF	E	5	5	1	1	7	5	89006-X149LF	E	2	2	2	2	2	1	89006-X153LF	E	2	2	2	2	2	2
	D	2	2	2	2	2		D	2	2	2	3	3	2		D	1	1	1	1	3	3		D	5	5	1	1	7	5		D	2	2	2	2	2	2		D	2	2	2	2	2	2
	C	2	2	2	2	2		C	2	2	2	3	3	2		C	3	3	3	3	3	3		C	5	5	1	1	7	7		C	2	2	2	2	2	2		C	2	2	2	2	2	2
	B	2	2	2	2	2		B	2	2	2	3	3	2		B	1	1	1	1	3	1		B	5	5	1	1	7	5		B	2	2	2	2	2	2		B	2	2	2	2	2	2
	A	2	2	1	2	2		2	A	2	2	2	3	3		2	A	1	1	1	1	3		1	A	5	5	1	1	7		5	A	2	2	2	2	2		2	A	4	2	2	2	2

spec ref	*	dr	Terran Huang	2010/07/09	projection	mm	size	A4	scale	1:1	
tolerance std	ISO 406 ISO 1101	eng	Narayanan, Aru	2018/07/12			ecn no	ELX-I-30699-1			
surface	3.200 ✓ ISO 1302	chr	-	-			product family	METRAL			rel level
	near	appr	K-Paul Biju	2018/07/13	METRAL SIGNAL HEADER			rev	89006		
	angular	www.fci.com		cat. no.	Product - Customer Drw			rev	BM		
		0.X	±0.3								
		0.XX	±0.13								
		0.XXX	±0.050								
		0°	±2°								

PRODUCT NUMBER

89006-XYLFL

NOTES:

1. FOR DIM A AND B SEE SHEET 2 AND UP.
2. BODY MATERIAL: LIQUID CRYSTAL
POLYMER 30 % GLASS.
FLAME RETARDANT ACC. UL 94-V0.
3. PIN MATERIAL:
PHOSPHOR BRONZE.
4. PLATING ON PRESS-FIT TAIL:
73931-XYLFL IS SN (LEAD FREE)
PLATING ON CONTACT AREA CONFORMS TO PERFORMANCE
LEVEL SHOWN IN TABLE BELOW.

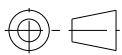
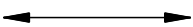
PLATING IN CONTACT AREA		
DASH NUMBER	PERFORMANCE LEVEL	NOTES
-NIYY	TELCORDIA CO (NXT) IEC CLASS I	SEE NOTE 9
-N5YFLF	TELCORDIA UE (NXT)	SEE NOTE 9
-IYYLF	TELCORDIA CO IEC CLASS I	SEE NOTE 9
-2YYLF	TELECOM CLASS	SEE NOTE 9
-5YYLF	TELCORDIA UE	SEE NOTE 9

5. PRODUCT MARKING:
PART NUMBER DESIGNATION & BATCH I.D.
6. ALL PRODUCTS WITH PART NUMBERS SHOWN IN
SUBSEQUENT TABLES WILL BE PACKAGED IN TUBES.
IF TRAY PACKAGING IS REQUIRED, A SUFFIX "P"
WILL BE ADDED TO THE END OF THE PART NUMBER.
EXAMPLE: XXXXX-XXXP
7. PRODUCT SPECIFICATION GS-12-180
APPLICATION SPECIFICATION BUS-20-073
8. AFTER INSERTION INTO CIRCUIT BOARD WITH
QUALIFIED TOOL.
9. THE PRODUCTS WHERE THE PART NUMBER ENDS IN LF MEET THE
EUROPEAN UNION DIRECTIVES AND OTHER COUNTRY REGULATIONS
AS DESCRIBED IN GS-47-0004.

ALL PRODUCTS EXCEPT THOSE WITH PART NUMBERS CONTAINING
(DRAWING NO.)-NI--- OR (DRAWING NO.)-N5---WILL WITHSTAND EXPOSURE
TO 260°C FOR 60 SECONDS IN A CONVECTION, INFRA-RED OR
VAPOR PHASE REFLOW OVEN. PART NUMBERS (DRAWING NO.)-NI---
AND (DRAWINGS NO.)-N5---WILL NOT WITHSTAND REFLOW AND Au CONTACT
SURFACE OF THE CONTACTS SHALL BE EXPOSED TO A MAXIMUM 140°C FOR
NO LONGER THAN 15 SECONDS IN A WAVE SOLDER APPLICATION.

10. -A PLATING HAS Au FLASH IN PRESS FIT AREA (LEAD FREE)

11. A  SYMBOL WILL BE NEXT TO ANY DIMENSION, VIEW, OR NOTE
WHICH HAS BEEN MODIFIED WITH THE CURRENT DRAWING REVISION.

spec ref *		dr	Terran Huang	2010/07/09	projection 	mm 	size	A4	scale	1:1		
tolerance std		eng	Narayanan, Aru	2018/07/12			ecn no	ELX-I-30699-1				
ISO 406 ISO 1101		chr	-	-			product family	METRAL				
TOLERANCES UNLESS OTHERWISE SPECIFIED		appr	K-Paul Biju	2018/07/13	rel level	Released						
surface 3.200	linear	0.X	±0.3		Amphenol FCI	title	METRAL SIGNAL HEADER			dwg no	89006	rev
		0.XX	±0.13									
		0.XXX	±0.050									
ISO 1302	angular	0°	±2°		www.fci.com	cat. no.	-	Product - Customer Drw		sheet 9 of 9		

Mouser Electronics

Authorized Distributor

Click to View Pricing, Inventory, Delivery & Lifecycle Information:

[FCI / Amphenol:](#)

[89006-111LF](#) [89006-116LF](#) [89006-110LF](#) [89006-120LF](#) [89006-111](#) [89006-176LF](#) [89006-121LF](#) [89006-112LF](#)
[89006-115LF](#) [89006-126LF](#) [89006-130LF](#) [89006-136LF](#) [89006-140LF](#) [89006-144LF](#) [89006-516LF](#) [89006-1110LF](#)
[89006-1112LF](#) [89006-1113LF](#) [89006-1111LF](#) [89006-143LF](#) [89006-1109LF](#) [89006-1116LF](#) [89006-114LF](#) [89006-](#)
[1118LF](#) [89006-149LF](#) [89006-1115LF](#) [89006-119LF](#) [89006-1114LF](#) [89006-141LF](#) [89006-1117LF](#) [89006-146LF](#)
[89006-170LF](#) [89006-1101LF](#) [89006-1128LF](#) [89006-1125LF](#) [89006-1127LF](#) [89006-1133LF](#) [89006-1131LF](#) [89006-](#)
[1136LF](#) [89006-1138LF](#) [89006-1135LF](#) [89006-1122LF](#) [89006-1121LF](#) [89006-1124LF](#) [89006-1132LF](#) [89006-1137LF](#)
[89006-1139LF](#) [89006-1119LF](#) [89006-1123LF](#) [89006-1126LF](#) [89006-1129LF](#) [89006-1134LF](#) [89006-1120LF](#) [89006-](#)
[1130LF](#) [89006-1142LF](#) [89006-1140LF](#) [89006-1143LF](#) [89006-1147LF](#) [89006-1144LF](#) [89006-1145LF](#) [89006-1107LF](#)
[89006-1141LF](#) [89006-1146LF](#) [89006-1154LF](#)