



THIS DRAWING IS UNPUBLISHED.  
 RELEASED FOR PUBLICATION  
 ALL RIGHTS RESERVED.

REVISIONS					
P	LTR	DESCRIPTION	DATE	DWN	APVD
-	-	SEE SHEET 1	-	-	-

D

D

C

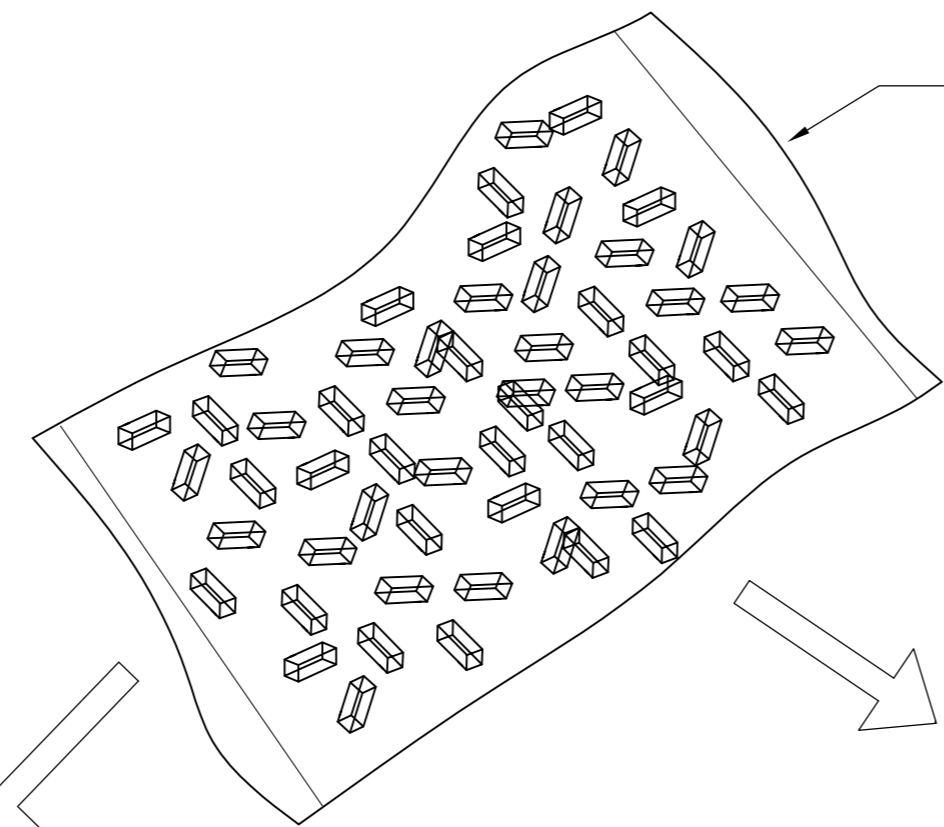
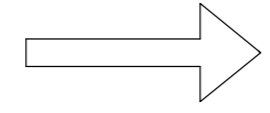
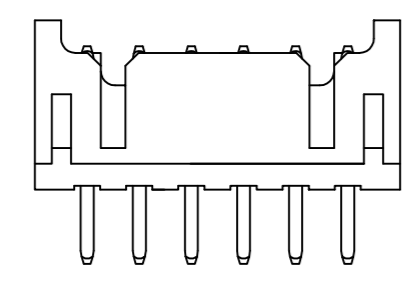
C

B

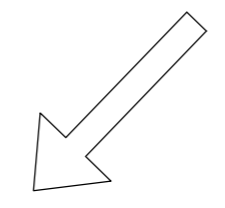
B

A

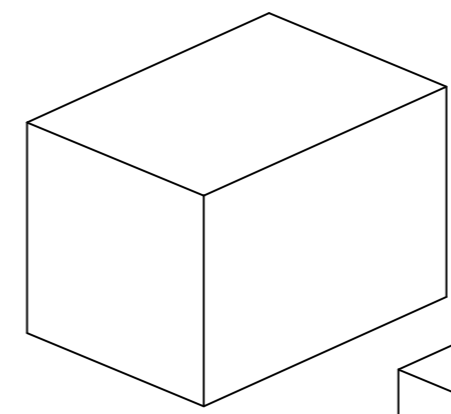
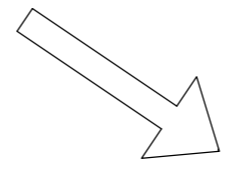
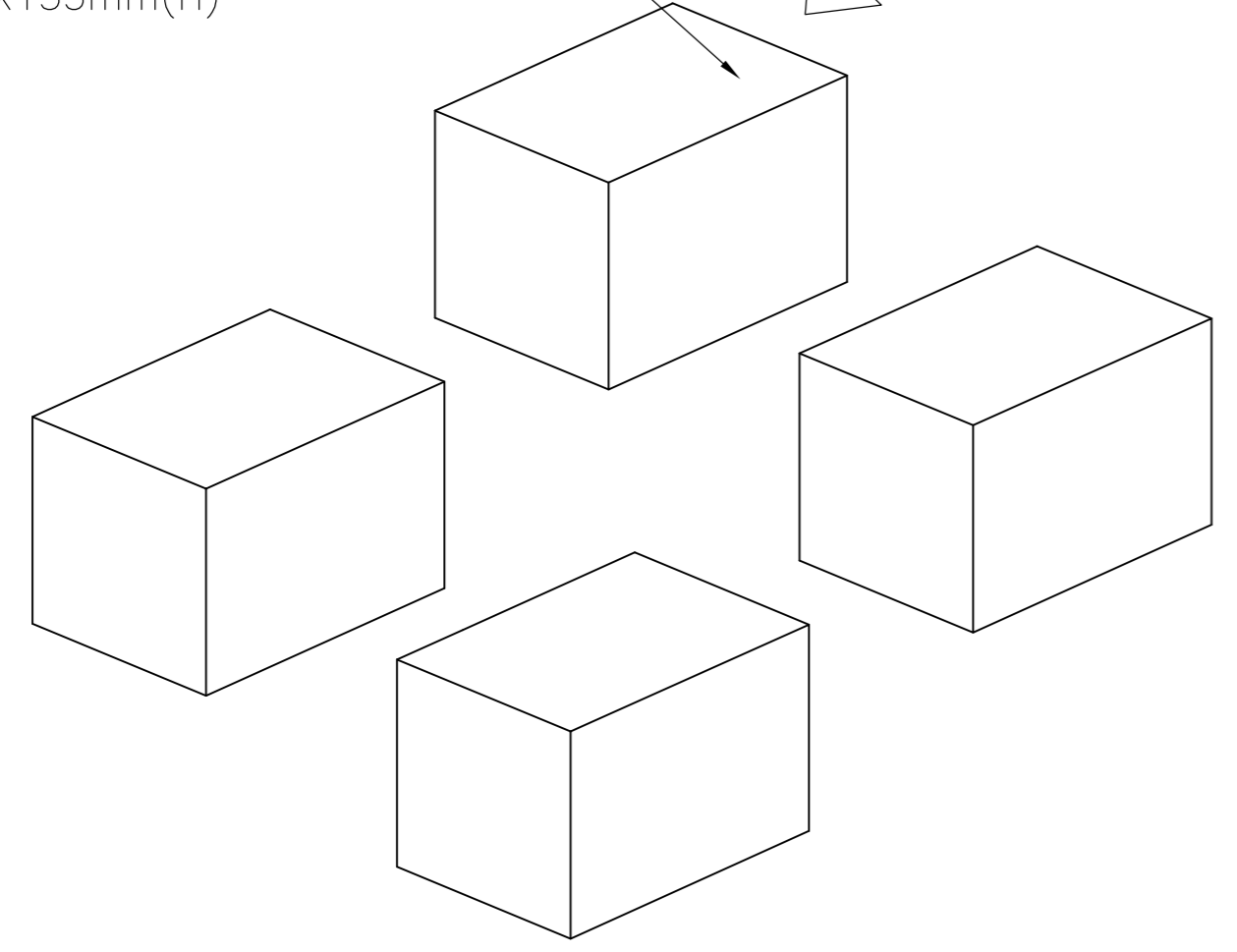
A



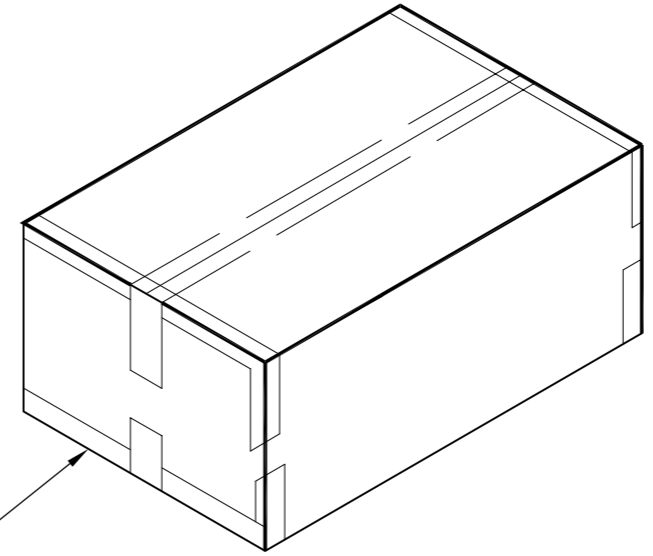
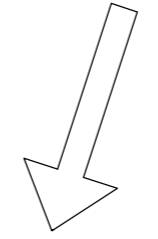
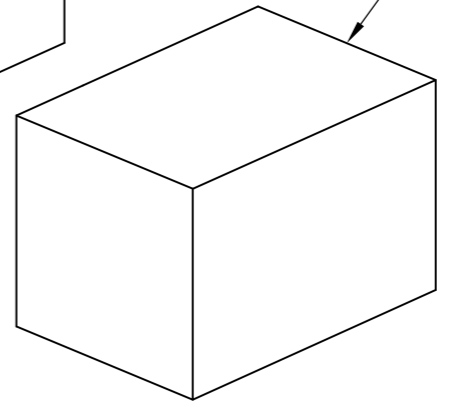
POLY BAG  
 127mm(L)X 203mm(W)X0.07mm(H)



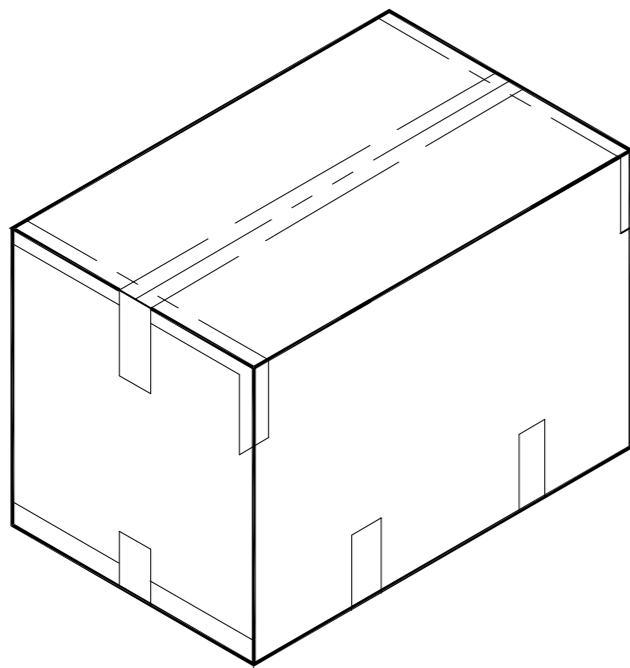
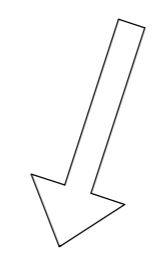
INEER BOX 320mm(L)X220mm  
 (W)X155mm(H)



INEER BOX  
 320mm(L)X220mm(W)X155mm(H)



CARTON  
 340mm(L)X470mm(W)X178mm(H)  
 (FOR HEADER 6P~10P ONLY)



CARTON  
 340mm(L)X470mm(W)X365mm(H)  
 (FOR HEADER 12P~32P ONLY)

23,400	650		9-1470109-6
10,240	160		8-1470109-0
10,240	160	7-1470109-2	3-1470109-2
10,240	160	7-1470109-0	3-1470109-0
10,240	160	6-1470109-8	2-1470109-8
14,400	200	6-1470109-6	2-1470109-6
14,400	200	6-1470109-4	2-1470109-4
14,400	200	6-1470109-2	2-1470109-2
16,000	250	6-1470109-0	2-1470109-0
19,200	300	5-1470109-8	1-1470109-8
19,200	300	5-1470109-6	1-1470109-6
22,400	350	5-1470109-4	1-1470109-4
25,600	400	5-1470109-2	1-1470109-2
14,400	450	5-1470109-0	1-1470109-0
17,600	550	4-1470109-8	1470109-8
23,400	650	4-1470109-6	1470109-6
APQ (POS/CARTON)	PPQ (POS/BAG)	PART NO.	

1470109

THIS DRAWING IS A CONTROLLED DOCUMENT.

DWN	O. HU	27JUN2007	 TE Connectivity	NAME	2.0MM PITCH HEADER, DIP, VERTICAL TYPE
CHK	S. HOU	27JUN2007			
APVD	W.J. KE	27JUN2007			
DIMENSIONS:			TOLERANCES UNLESS OTHERWISE SPECIFIED:		
mm			0 PLC ± -		
			1 PLC ± -		
			2 PLC ± -		
			3 PLC ± -		
			4 PLC ± -		
			ANGLES ± -		
MATERIAL			FINISH		
-			-		
CUSTOMER DRAWING			SCALE 7:1		SHEET 2 OF 2
			REV E2		

# Mouser Electronics

Authorized Distributor

Click to View Pricing, Inventory, Delivery & Lifecycle Information:

[TE Connectivity:](#)

[1-1470109-4](#)