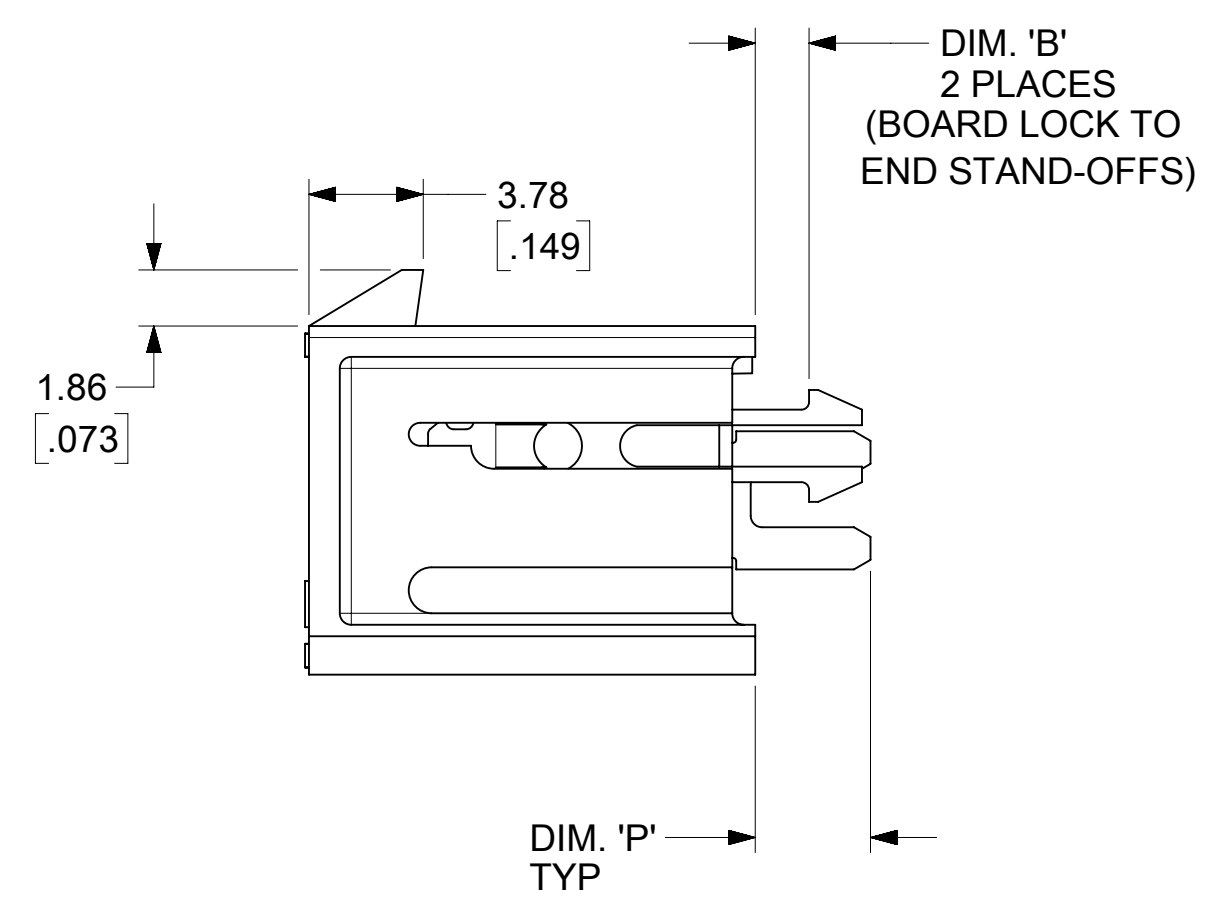
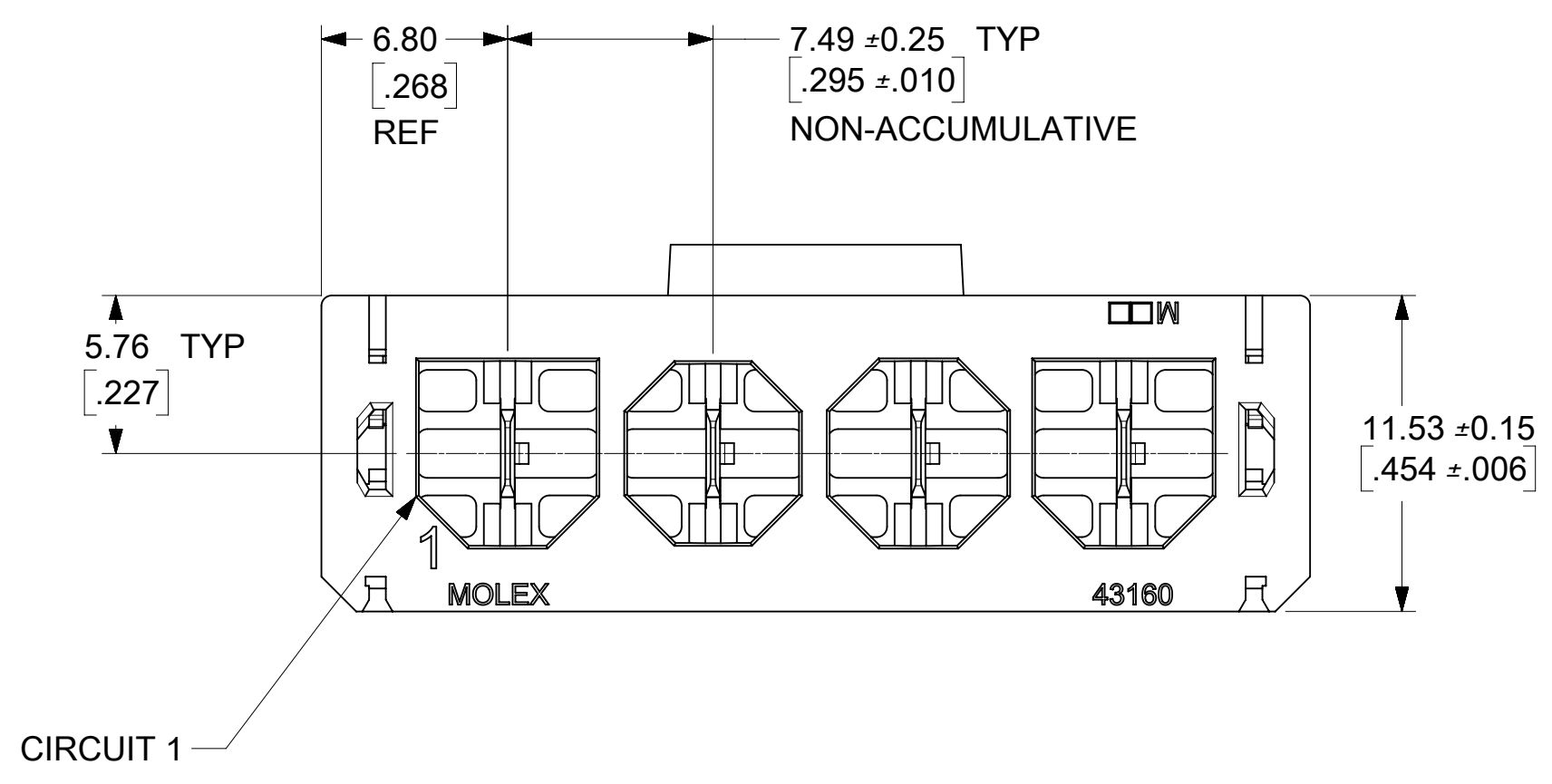
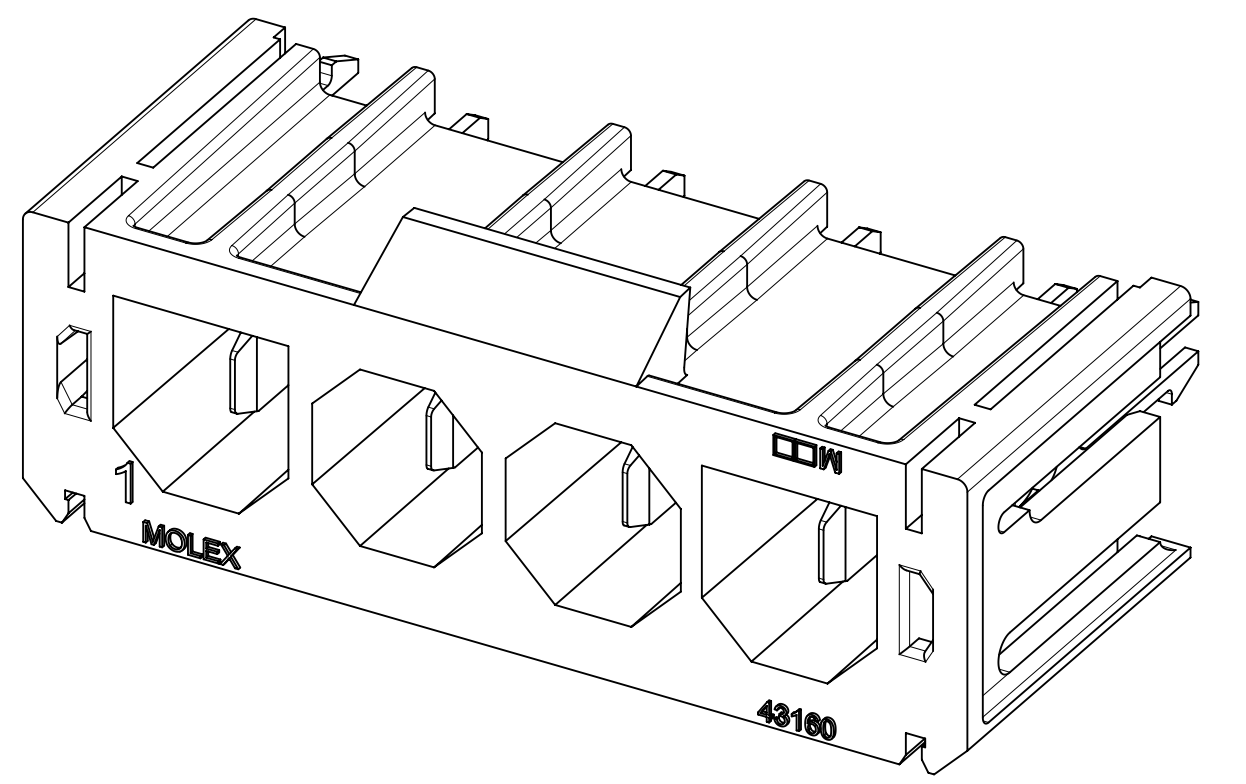
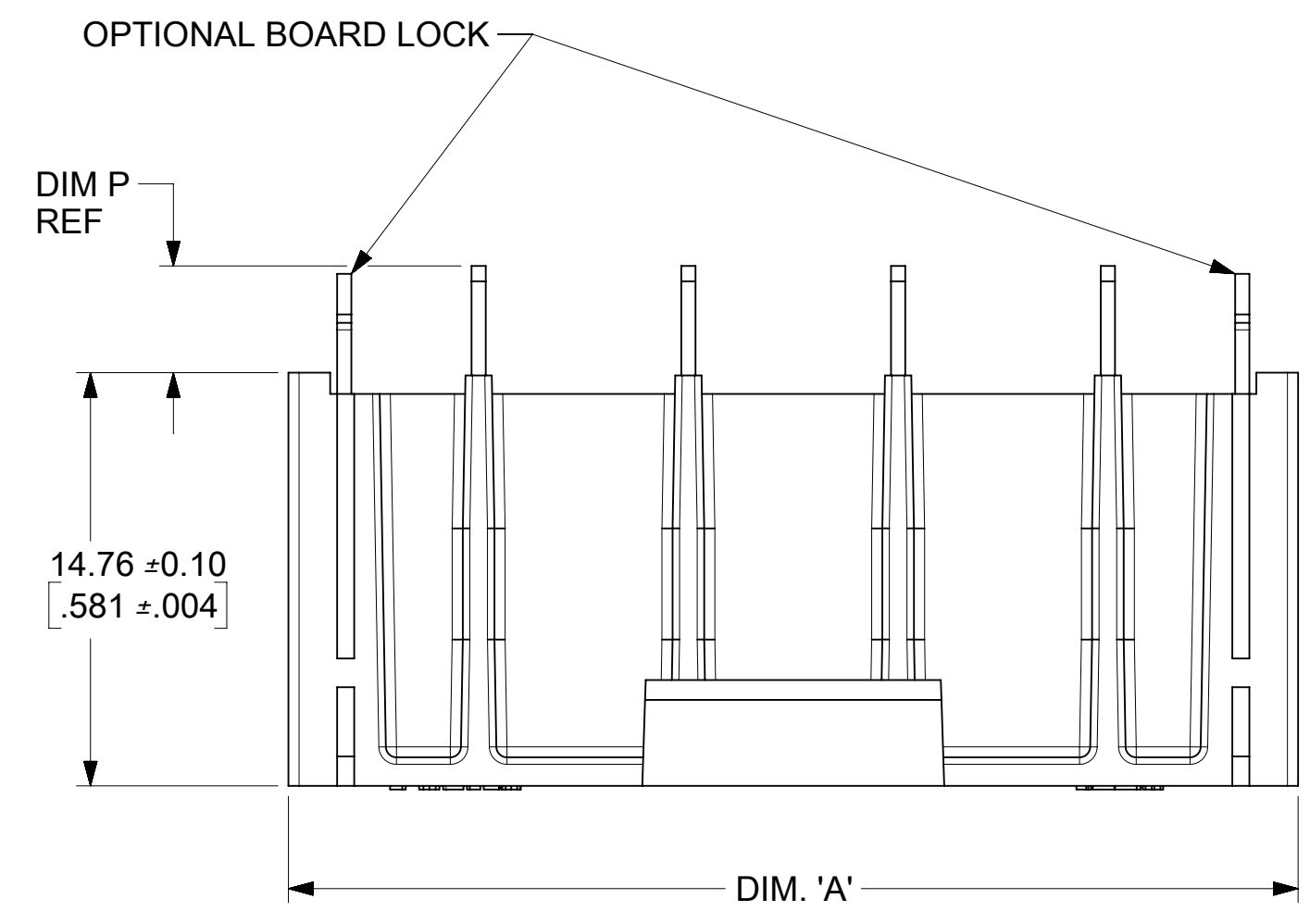


CIRCUITS	DIM. 'A' ±	0.33 .013
2	21.08	.830
3	28.58	1.125
4	36.07	1.420
5	43.56	1.715
6	51.05	2.010
8	66.04	2.600



SHEETS 1 AND 2: VERTICAL HEADERS
 SHEETS 3 AND 4: RIGHT ANGLE HEADERS
 SHEET 5: POLARIZATION

- INSULATOR MATERIAL: 30% GLASS FILLED 4/6 NYLON UL94V-0, COLOR: BLACK
 TERMINAL MATERIAL : BRASS
- TERMINAL FINISH: OVERALL REFLOWED MATTE TIN: 0.00152/.000060 MIN OVER 0.00127/.000050 MIN NICKEL.
- PRODUCT SPECIFICATION PS-44441-9999.
- PACKAGING: SEE CHART
- THIS HEADER MATES WITH 44441 OR 43335 SERIES RECEPTACLE HOUSINGS.
- THIS PART CONFORMS TO CLASS B REQUIREMENTS OF MOLEX COSMETIC SPECIFICATION PS-45499-002
- TEXT ON PART IS FOR REFERENCE ONLY. TEXT AND TEXT LOCATION MAY VARY DEPENDING ON PART NUMBER AND/OR TOOL.
- PART DESIGNED IN INCHES.

SYMBOLS		THIS DRAWING CONTAINS INFORMATION THAT IS PROPRIETARY TO MOLEX ELECTRONIC TECHNOLOGIES, LLC AND SHOULD NOT BE USED WITHOUT WRITTEN PERMISSION	
DIMENSION UNITS	SCALE	CURRENT REV DESC: RELEASED	
IN/MM	4:1		
GENERAL TOLERANCES (UNLESS SPECIFIED)		EC NO: 623888	
4 PLACES ±	±	DRWN: MKIPPER	2019/09/06
3 PLACES ±	± 0.005	CHK'D: DSTEIER	2019/09/13
2 PLACES ±	± 0.13 ± 0.01	APPR: FSMITH	2019/09/17
1 PLACE ±	± 0.25 ±	INITIAL REVISION:	
0 PLACES ±	±	DRWN: MKIPPER	2019/09/06
ANGULAR TOL ± 0.5 °		APPR: FSMITH	2019/09/17
DRAFT WHERE APPLICABLE MUST REMAIN WITHIN DIMENSIONS	THIRD ANGLE PROJECTION	DRAWING	SERIES
		C-SIZE	43160

DOCUMENT NUMBER		DOC TYPE	DOC PART	REVISION
431600001-SD		PSD	000	A

MATERIAL NUMBER	CUSTOMER	SHEET NUMBER
SEE CHARTS	GENERAL MARKET	1 OF 5

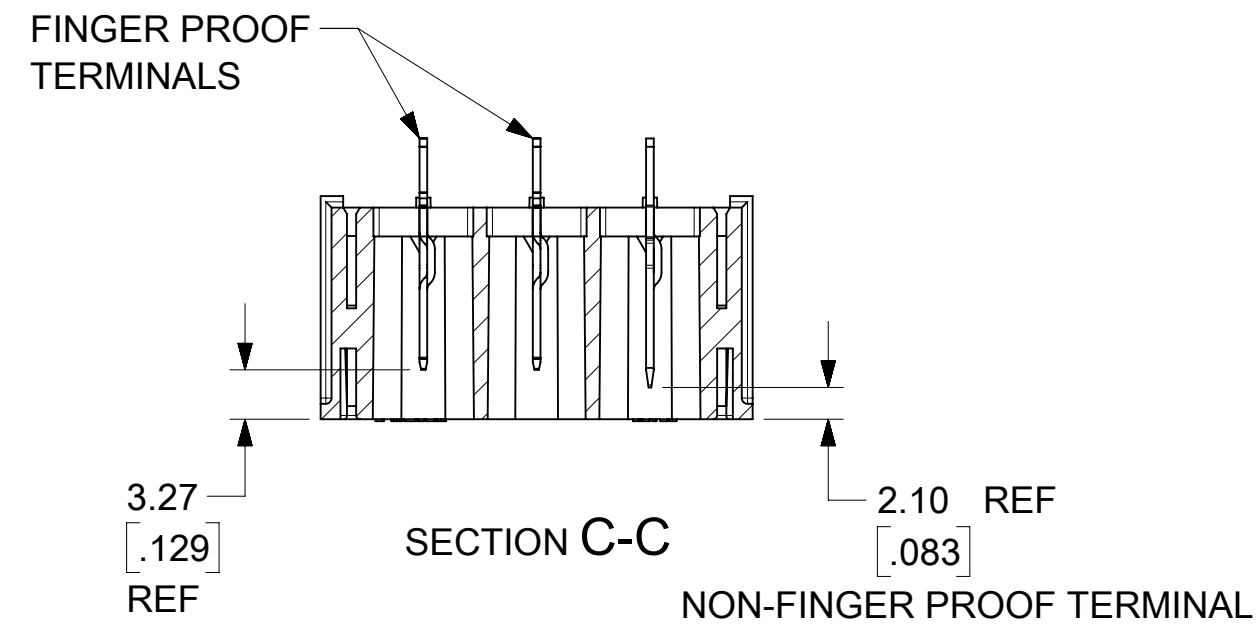
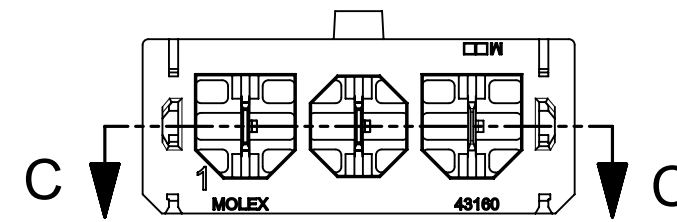
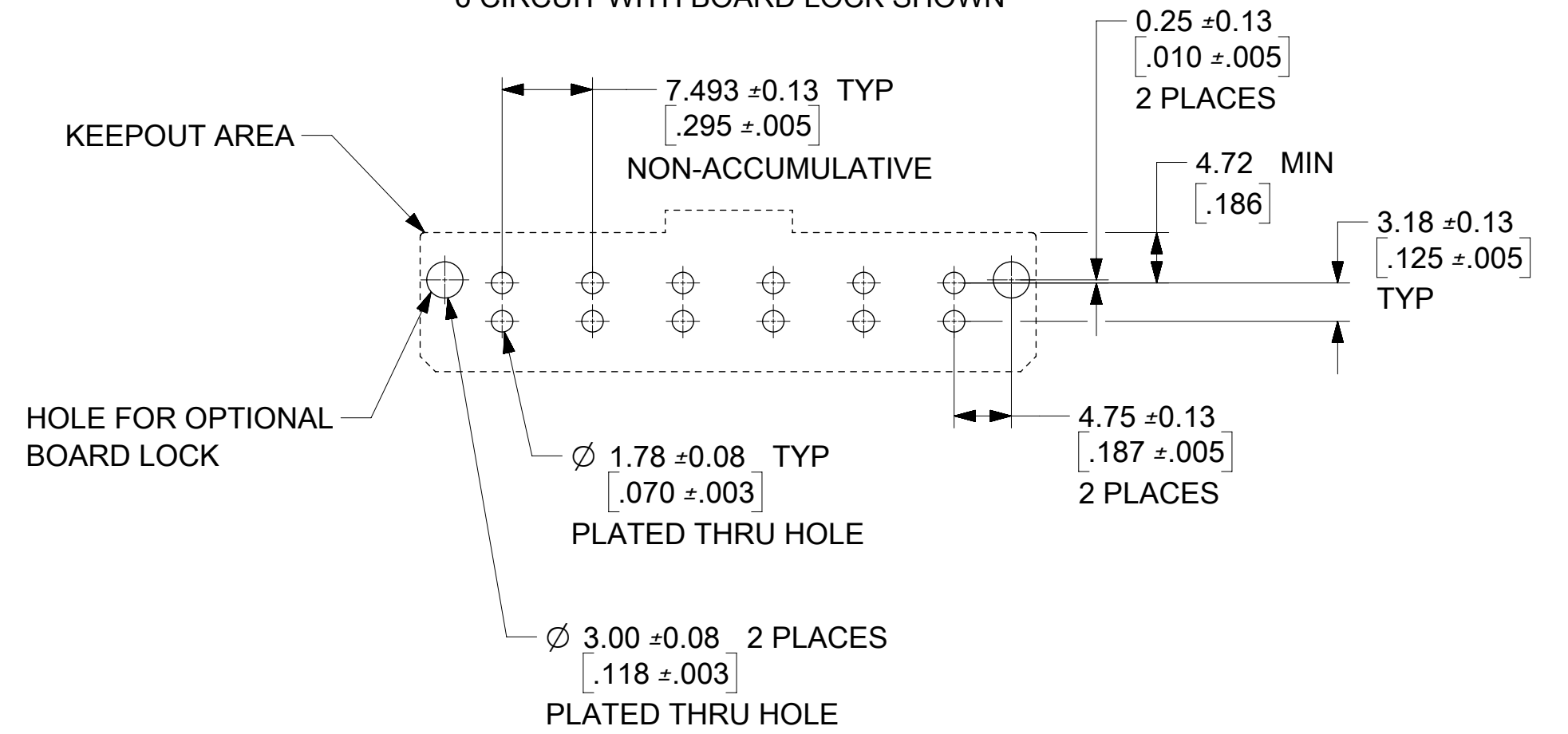
DOCUMENT STATUS	P1	RELEASE DATE	2019/09/17 14:17:52
12	11	10	9

THIS DRAWING REPLACES SDA-43160-****

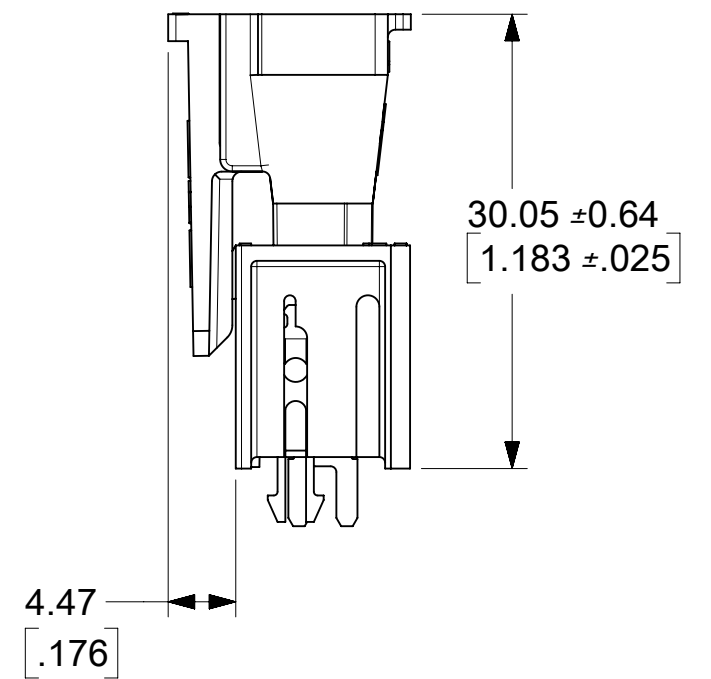
VERTICAL HEADER ASSEMBLIES					
ASSEMBLY PART NO.	CIRCUITS	DIM. 'P' ± $\frac{0.51}{.020}$	BOARD LOCK	DIM. 'B' ± $\frac{0.10}{.004}$	PACKAGING SPEC.
43160-0102	2	3.81/(.150) (SHORT TAIL)	NO	N/A	PK-43160-0010
43160-0103	3				
43160-0104	4				
43160-0105	5				
43160-0106	6				
43160-0108	8				
43160-0302	2	5.33/(.210) (LONG TAIL)	NO	N/A	PK-43789-001
43160-0303	3				
43160-0304	4				
43160-0305	5				
43160-0306	6				
43160-0308	8				
43160-2102	2	3.81/(.150) (SHORT TAIL)	YES	1.78/(.070) FOR 1.57/(.062) PCB	PK-43789-001
43160-2103	3				
43160-2104	4				
43160-2105	5				
43160-2106	6				
43160-2108	8				
43160-4102	2	3.81/(.150) (SHORT TAIL)	YES	2.59/(.102) FOR 2.39/(.094) PCB	PK-43789-001
43160-4103	3				
43160-4104	4				
43160-4105	5				
43160-4106	6				
43160-4108	8				
43160-4302	2	5.33/(.210) (LONG TAIL)	YES	2.59/(.102) FOR 2.39/(.094) PCB	PK-43789-001
43160-4303	3				
43160-4304	4				
43160-4305	5				
43160-4306	6				
43160-4308	8				
43160-6302	2	5.33/(.210) (LONG TAIL)	YES	3.38/(.133) FOR 3.18/(.125) PCB	PK-43789-001
43160-6303	3				
43160-6304	4				
43160-6305	5				
43160-6306	6				
43160-6308	8				
ASSEMBLY PART NO.	CIRCUITS	DIM. 'P'	BOARD LOCK	DIM. 'B'	PACKAGING SPEC.

RECOMMENDED P.C. BOARD LAYOUT FOR VERTICAL HEADERS

6 CIRCUIT WITH BOARD LOCK SHOWN



HEADER WITH OPTIONAL FINGER PROOF TERMINAL
43160-9002 SHOWN



MATED DIMENSIONS
VERTICAL HEADERS

FINGER PROOF VERTICAL HEADER ASSEMBLIES

ASSEMBLY PART NO.	CIRCUITS	FINGER PROOF TERMINAL CIRCUIT(S)	DIM. 'P' ± $\frac{0.51}{.020}$	BOARD LOCK	DIM. 'B' ± $\frac{0.10}{.004}$	PACKAGING SPEC.
43160-9002	3	1, 2	3.81/(.150) (SHORT TAIL)	NO	N/A	PK-43160-0010

SYMBOLS						THIS DRAWING CONTAINS INFORMATION THAT IS PROPRIETARY TO MOLEX ELECTRONIC TECHNOLOGIES, LLC AND SHOULD NOT BE USED WITHOUT WRITTEN PERMISSION											
▽ = 0	▽ = 0	▽ = 0	▽ = 0	▽ = 0	▽ = 0	DIMENSION UNITS		SCALE		CURRENT REV DESC: RELEASED							
IN/MM		2:1		GENERAL TOLERANCES (UNLESS SPECIFIED)				MM		INCH		EC NO: 623888					
▽ = 0	▽ = 0	▽ = 0	▽ = 0	▽ = 0	▽ = 0	4 PLACES ±	±	3 PLACES ±	± 0.005	2 PLACES ±	± 0.13	± 0.01	1 PLACE ±	± 0.25	±	DRWN: MKIPPER	2019/09/06
▽ = 0	▽ = 0	▽ = 0	▽ = 0	▽ = 0	▽ = 0	0 PLACES ±	±	ANGULAR TOL ± 0.5 °	THIRD ANGLE PROJECTION	DRAWING	SERIES	DOCUMENT NUMBER	DOC TYPE	DOC PART	REVISION	SABRE HEADER ASSEMBLY 2-6 & 8 CIRCUIT .125/(3.18) X .020/(0.51)	
▽ = 0	▽ = 0	▽ = 0	▽ = 0	▽ = 0	▽ = 0	DRAFT WHERE APPLICABLE MUST REMAIN WITHIN DIMENSIONS	THIRD ANGLE PROJECTION	C-SIZE	43160	2019/09/06	2019/09/17	431600001-SD	PSD	000	A	PRODUCT CUSTOMER DRAWING	
▽ = 0	▽ = 0	▽ = 0	▽ = 0	▽ = 0	▽ = 0	SEE CHARTS	GENERAL MARKET	SHEET NUMBER		2 OF 5							

molex

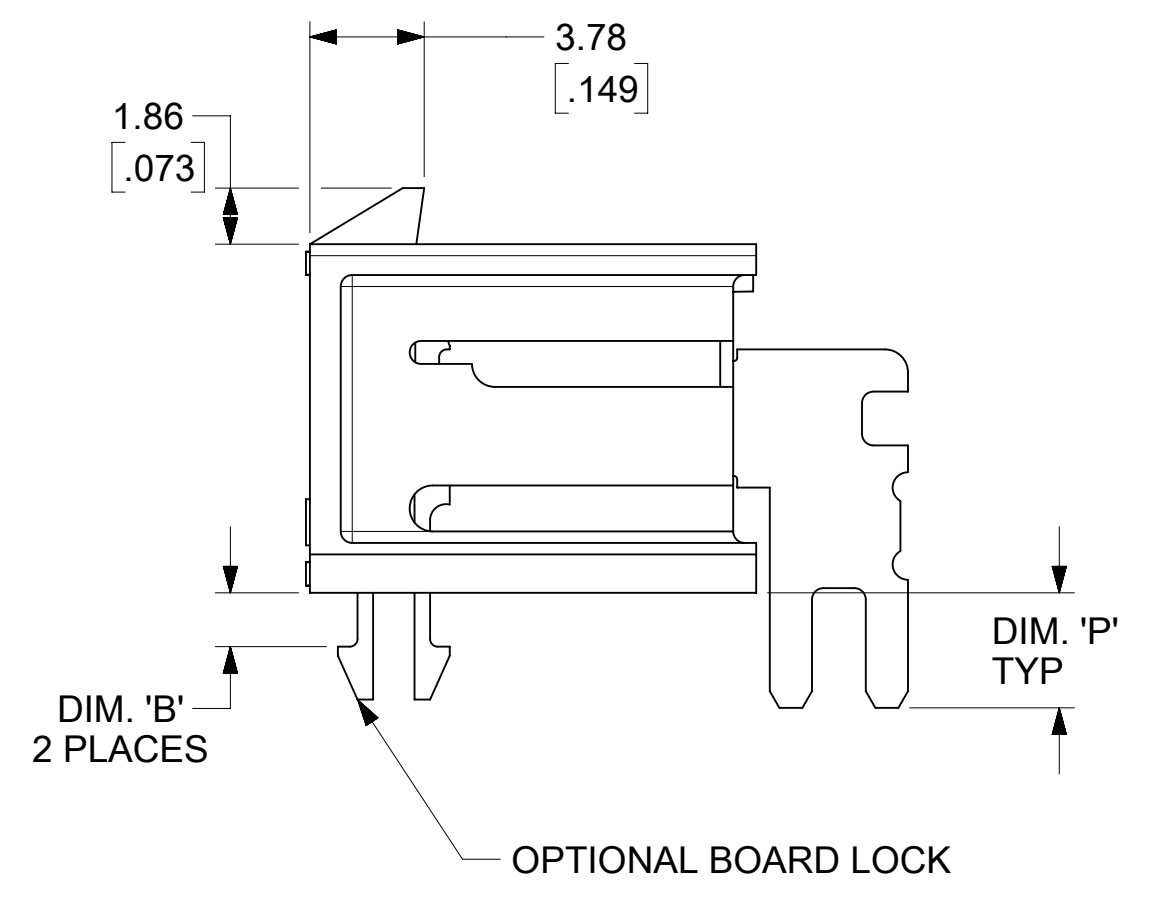
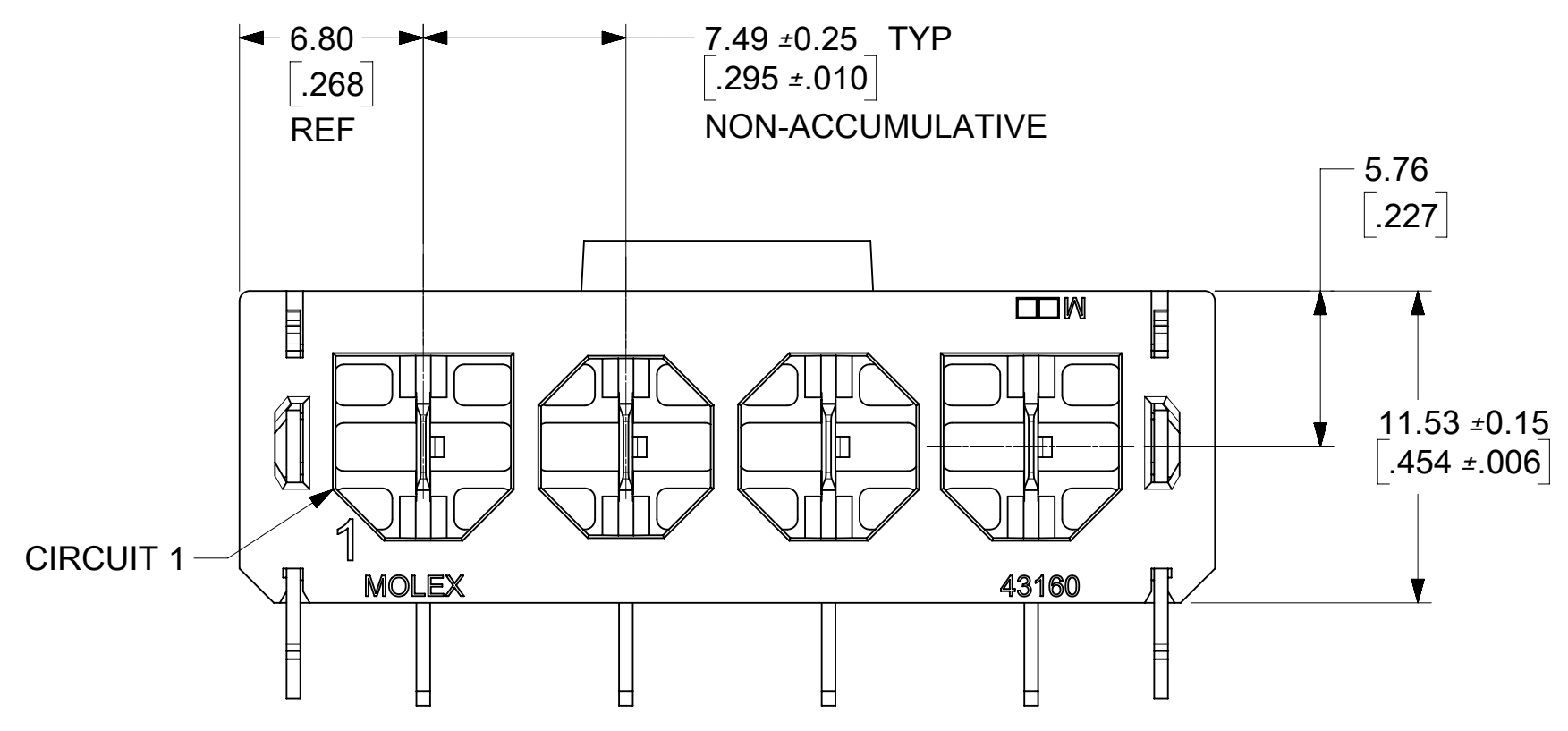
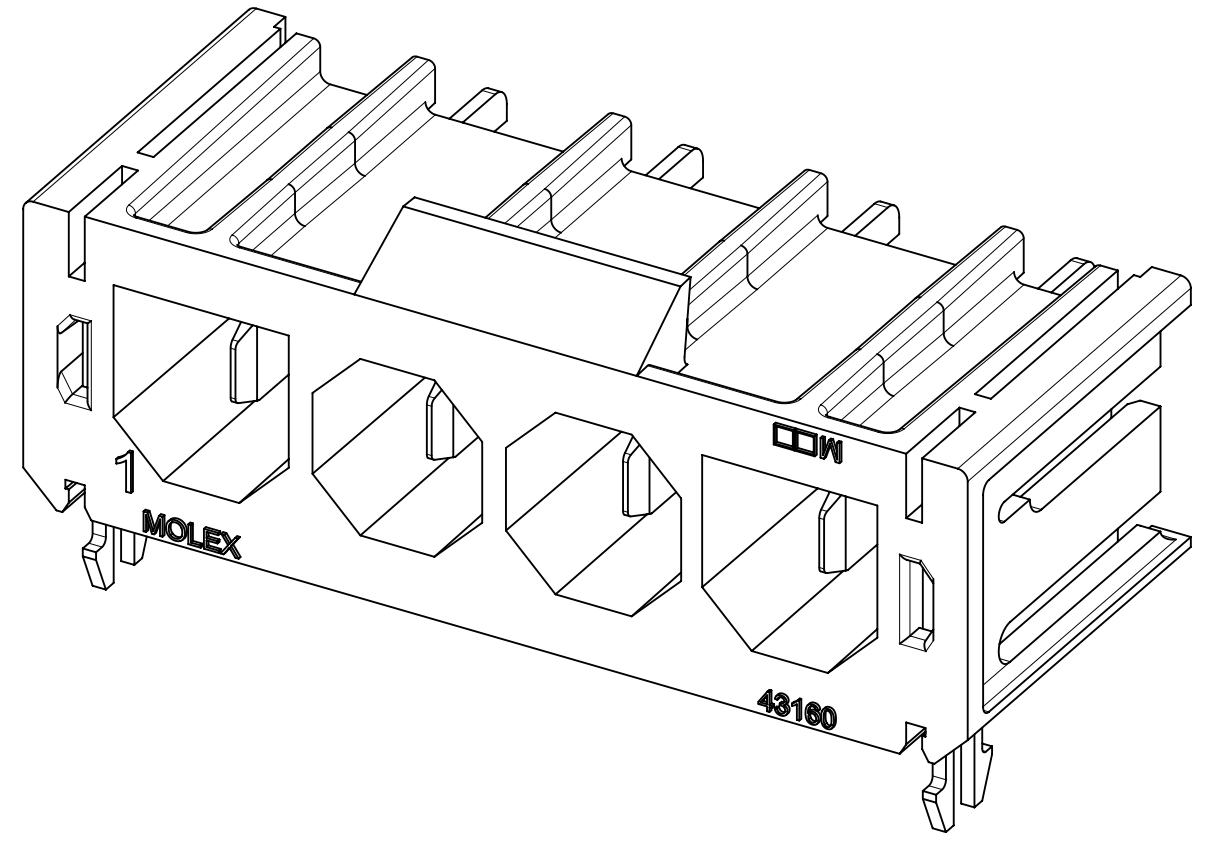
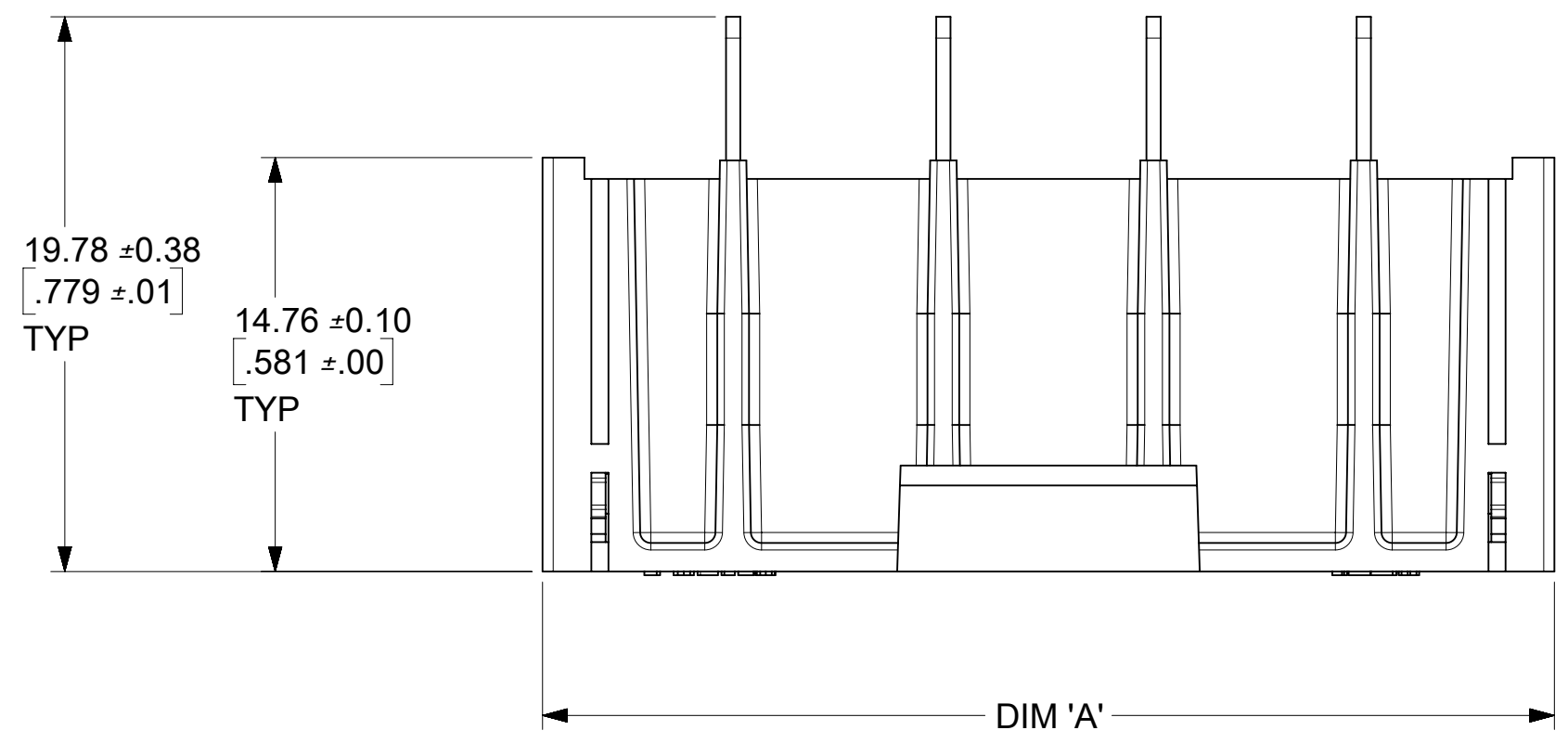
SABRE HEADER ASSEMBLY
2-6 & 8 CIRCUIT .125/(3.18) X .020/(0.51)

PRODUCT CUSTOMER DRAWING

DOCUMENT NUMBER: 431600001-SD
DOC TYPE: PSD
DOC PART: 000
REVISION: A

MATERIAL NUMBER: SEE CHARTS
CUSTOMER: GENERAL MARKET
SHEET NUMBER: 2 OF 5

CIRCUITS	DIM. 'A' ±	0.33 .013
2	<u>21.08</u> .830	
3	<u>28.58</u> 1.125	
4	<u>36.07</u> 1.420	
5	<u>43.56</u> 1.715	
6	<u>51.05</u> 2.010	
8	<u>66.04</u> 2.600	



SYMBOLS										THIS DRAWING CONTAINS INFORMATION THAT IS PROPRIETARY TO MOLEX ELECTRONIC TECHNOLOGIES, LLC AND SHOULD NOT BE USED WITHOUT WRITTEN PERMISSION											
∇ = 0	∇ = 0	∇ = 0	S = 0	▼ = 0	▽ = 0	⊠ = 0	■ = 0	▽ = 0		DIMENSION UNITS		SCALE		CURRENT REV DESC: RELEASED							
										IN/MM		4:1		EC NO: 623888 DRWN: MKIPPER 2019/09/06 CHK'D: DSTEIER 2019/09/13 APPR: FSMITH 2019/09/17 INITIAL REVISION: DRWN: MKIPPER 2019/09/06 APPR: FSMITH 2019/09/17							
GENERAL TOLERANCES (UNLESS SPECIFIED)										MM		INCH									
										4 PLACES	±		±								
										3 PLACES	±		±	0.005							
										2 PLACES	±	0.13	±	0.01							
										1 PLACE	±	0.25	±								
										0 PLACES	±		±								
										ANGULAR TOL		± 0.5 °									
DRAFT WHERE APPLICABLE MUST REMAIN WITHIN DIMENSIONS										THIRD ANGLE PROJECTION		DRAWING		SERIES		MATERIAL NUMBER		CUSTOMER		SHEET NUMBER	
										C-SIZE		43160		SEE CHARTS		GENERAL MARKET		3 OF 5			

molex

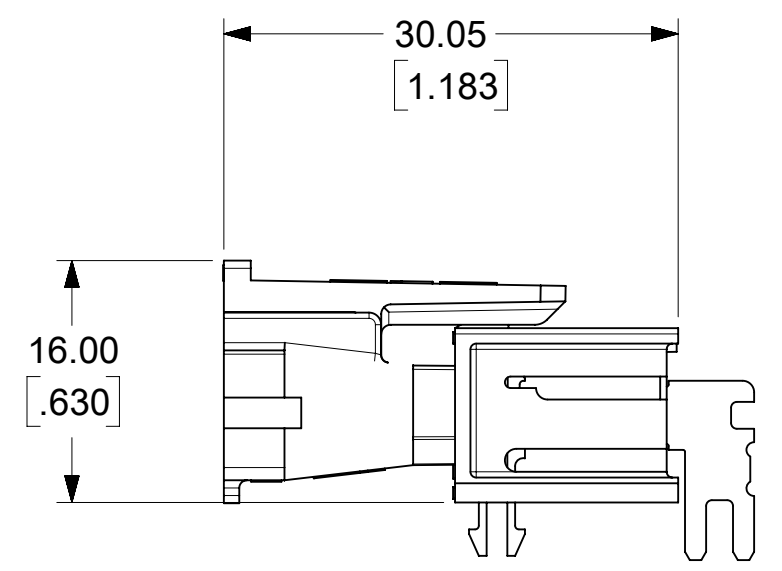
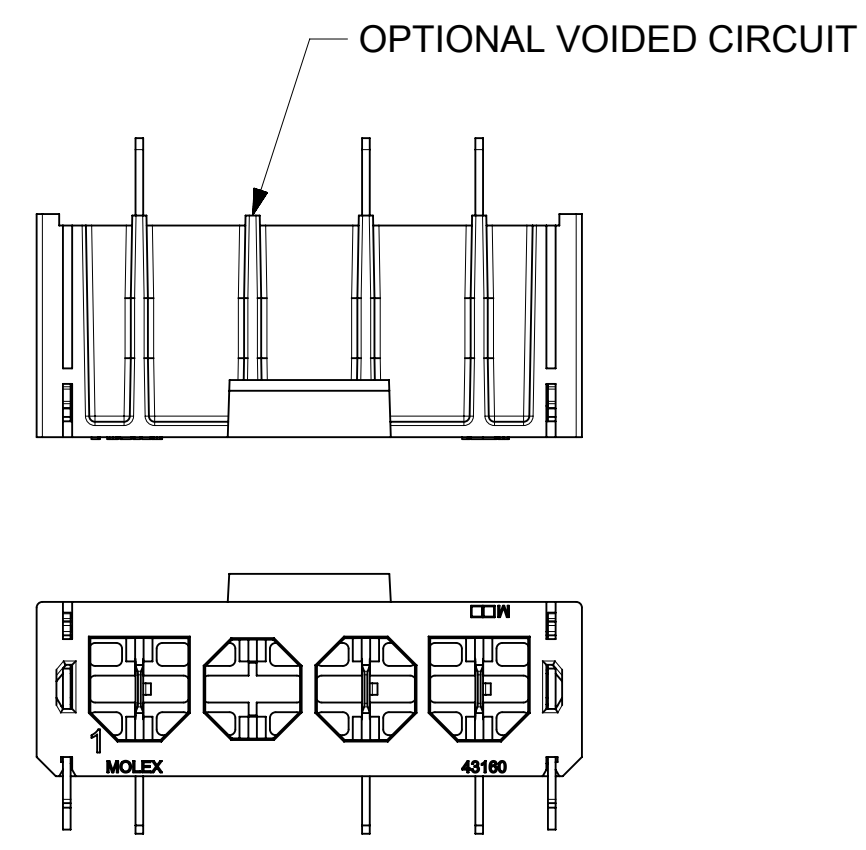
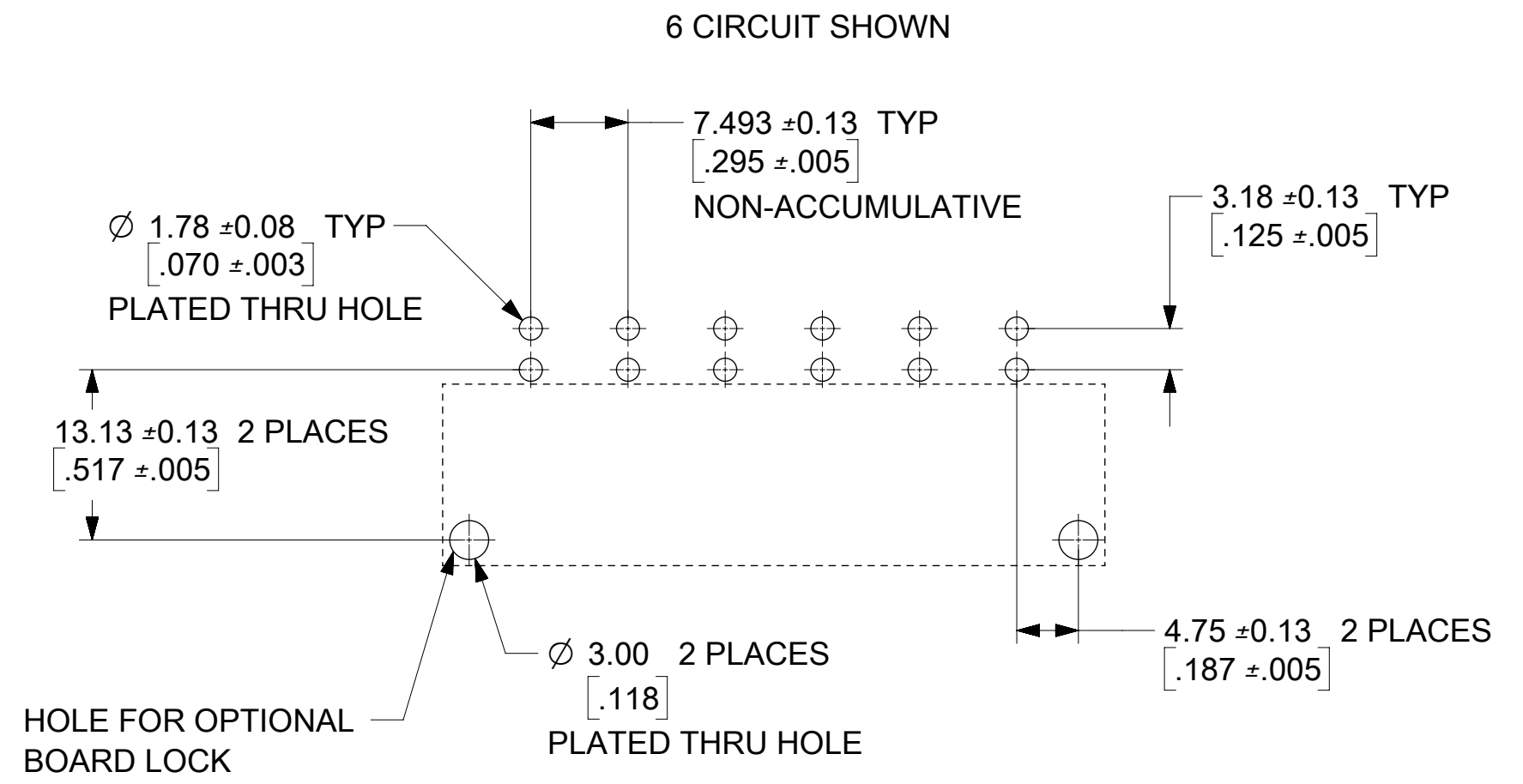
SABRE HEADER ASSEMBLY
2-6 & 8 CIRCUIT .125/(3.18) X .020/(0.51)

PRODUCT CUSTOMER DRAWING

DOCUMENT NUMBER	DOC TYPE	DOC PART	REVISION
431600001-SD	PSD	000	A

RIGHT ANGLE HEADER ASSEMBLIES					
ASSEMBLY PART NO.	CIRCUITS	DIM. 'P' ± $\frac{0.28}{.011}$	BOARD LOCK	DIM. 'B' ± $\frac{0.10}{.004}$	PACKAGING SPEC.
43160-1102	2	3.81/(.150) (SHORT TAIL)	NO	N/A	PK-43160-0010
43160-1103	3				
43160-1104	4				
43160-1105	5				
43160-1106	6				
43160-1108	8				
43160-1302	2	5.33/(.210) (LONG TAIL)	NO	N/A	PK-43789-001
43160-1303	3				
43160-1304	4				
43160-1305	5				
43160-1306	6				
43160-1308	8				
43160-3102	2	3.81/(.150) (SHORT TAIL)	YES	1.78/(.070) FOR 1.57/(.062) PCB	PK-43789-001
43160-3103	3				
43160-3104	4				
43160-3105	5				
43160-3106	6				
43160-3108	8				
43160-5102	2	3.81/(.150) (SHORT TAIL)	YES	2.59/(.102) FOR 2.39/(.094) PCB	PK-43789-001
43160-5103	3				
43160-5104	4				
43160-5105	5				
43160-5106	6				
43160-5108	8				
43160-5302	2	5.33/(.210) (LONG TAIL)	YES	2.59/(.102) FOR 2.39/(.094) PCB	PK-43789-001
43160-5303	3				
43160-5304	4				
43160-5305	5				
43160-5306	6				
43160-5308	8				
43160-7302	2	5.33/(.210) (LONG TAIL)	YES	3.38/(.133) FOR 3.18/(.125) PCB	PK-43789-001
43160-7303	3				
43160-7304	4				
43160-7305	5				
43160-7306	6				
43160-7308	8				
ASSEMBLY PART NO.	CIRCUITS	DIM. 'P'	BOARD LOCK	DIM. 'B'	PACKAGING SPEC.

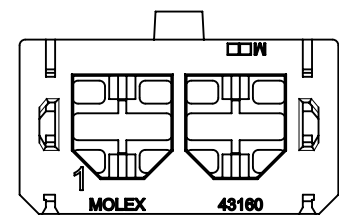
RECOMMENDED P.C. BOARD LAYOUT FOR RIGHT ANGLE HEADERS



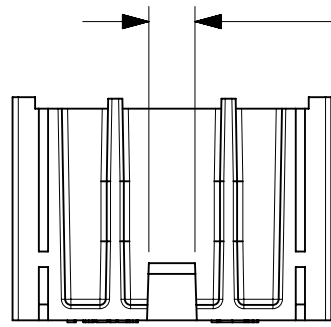
MATED DIMENSIONS RIGHT ANGLE HEADERS

RIGHT ANGLE HEADER ASSEMBLIES WITH VOIDED TERMINALS						
ASSEMBLY PART NO.	CIRCUITS	DIM. 'P' ± $\frac{0.28}{.011}$	BOARD LOCK	DIM. 'B' ± $\frac{0.10}{.004}$	PACKAGING SPEC.	VOID CIRCUIT(S)
43160-9001	4	3.81/(.150)	YES	1.78/(.070) FOR 1.57/(.062) PCB	PK-43789-001	2
43160-9003	5	(SHORT TAIL)				2, 4

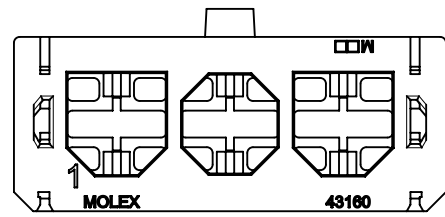
SYMBOLS	THIS DRAWING CONTAINS INFORMATION THAT IS PROPRIETARY TO MOLEX ELECTRONIC TECHNOLOGIES, LLC AND SHOULD NOT BE USED WITHOUT WRITTEN PERMISSION								
	DIMENSION UNITS		SCALE		CURRENT REV/DESC: RELEASED				
▽ = 0	IN/MM		2:1		molex SABRE HEADER ASSEMBLY 2-6 & 8 CIRCUIT .125/(3.18) X .020/(0.51)				
▽ = 0	GENERAL TOLERANCES (UNLESS SPECIFIED)								
▽ = 0	MM		INCH						
▽ = 0	4 PLACES	±	±	EC NO: 623888	2019/09/06	PRODUCT CUSTOMER DRAWING DOCUMENT NUMBER: 431600001-SD DOC TYPE: PSD DOC PART: 000 REVISION: A			
▽ = 0	3 PLACES	±	± 0.005	DRWN: MKIPPER	2019/09/13				
▽ = 0	2 PLACES	±	± 0.13	CHK'D: DSTEIER	2019/09/17				
▽ = 0	1 PLACE	±	± 0.25	APPR: FSMITH	2019/09/17	INITIAL REVISION: DRWN: MKIPPER 2019/09/06 APPR: FSMITH 2019/09/17			
▽ = 0	0 PLACES	±	±	DRWN: MKIPPER	2019/09/06				
▽ = 0	ANGULAR TOL	±	± 0.5°	APPR: FSMITH	2019/09/17				
▽ = 0	DRAFT WHERE APPLICABLE MUST REMAIN WITHIN DIMENSIONS			THIRD ANGLE PROJECTION	DRAWING	SERIES			
▽ = 0					C-SIZE	43160			
DOCUMENT STATUS		P1	RELEASE DATE	2019/09/17	14:17:52	SEE CHARTS	GENERAL MARKET	SHEET NUMBER	4 OF 5



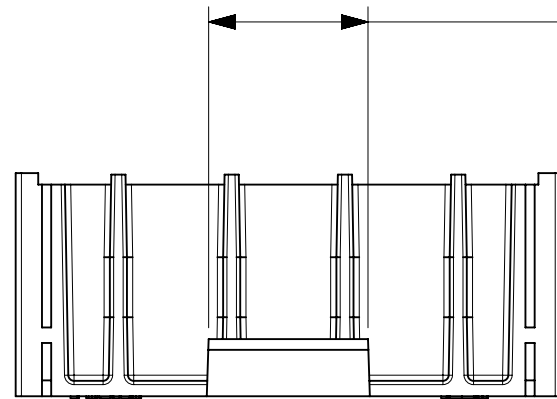
2 CIRCUITS



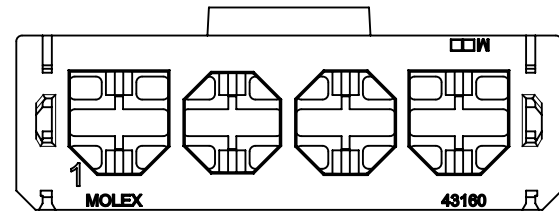
3.05
 .120
 2 AND 3 CIRCUIT



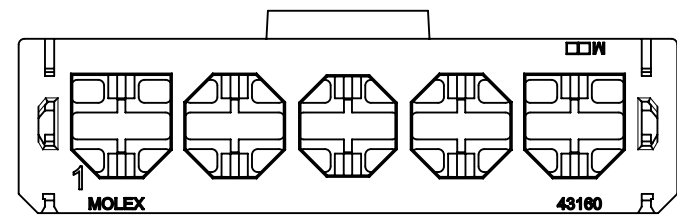
3 CIRCUITS



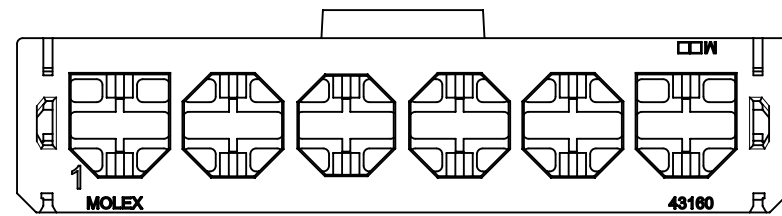
10.54
 .415
 4 CIRCUIT AND UP



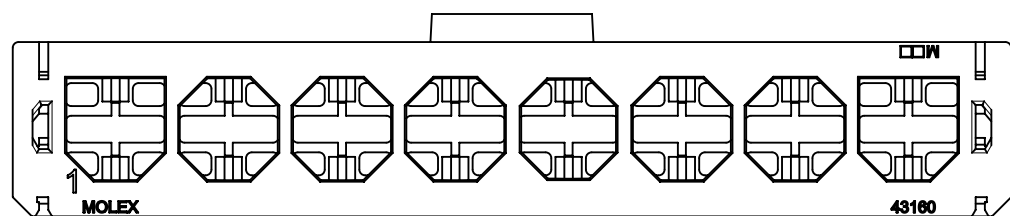
4 CIRCUITS



5 CIRCUITS



6 CIRCUITS



8 CIRCUITS

POLARIZATION

SYMBOLS	THIS DRAWING CONTAINS INFORMATION THAT IS PROPRIETARY TO MOLEX ELECTRONIC TECHNOLOGIES, LLC AND SHOULD NOT BE USED WITHOUT WRITTEN PERMISSION									
	DIMENSION UNITS		SCALE		CURRENT REV DESC: RELEASED					
∇ = 0	MM/INCH		2:1		molex SABRE HEADER ASSEMBLY 2-6 & 8 CIRCUIT .125/(3.18) X .020/(0.51)					
∇ = 0	GENERAL TOLERANCES (UNLESS SPECIFIED)									
∇ = 0		MM	INCH	EC NO: 623888 DRWN: MKIPPER 2019/09/06 CHK'D: DSTEIER 2019/09/13 APPR: FSMITH 2019/09/17						
∇ = 0	4 PLACES	±	±	INITIAL REVISION: DRWN: MKIPPER 2019/09/06 APPR: FSMITH 2019/09/17						
∇ = 0	3 PLACES	±	± 0.005							
∇ = 0	2 PLACES	± 0.13	± 0.01	PRODUCT CUSTOMER DRAWING DOCUMENT NUMBER: 431600001-SD DOC TYPE: PSD DOC PART: 000 REVISION: A						
∇ = 0	1 PLACE	± 0.25	±							
∇ = 0	0 PLACES	±	±	MATERIAL NUMBER		CUSTOMER		SHEET NUMBER		
∇ = 0	ANGULAR TOL ± 0.5 °		THIRD ANGLE PROJECTION		DRAWING		SERIES		SEE CHARTS GENERAL MARKET 5 OF 5	
∇ = 0	DRAFT WHERE APPLICABLE MUST REMAIN WITHIN DIMENSIONS				C-SIZE		43160			

Mouser Electronics

Authorized Distributor

Click to View Pricing, Inventory, Delivery & Lifecycle Information:

[Molex:](#)

[43160-4105](#)