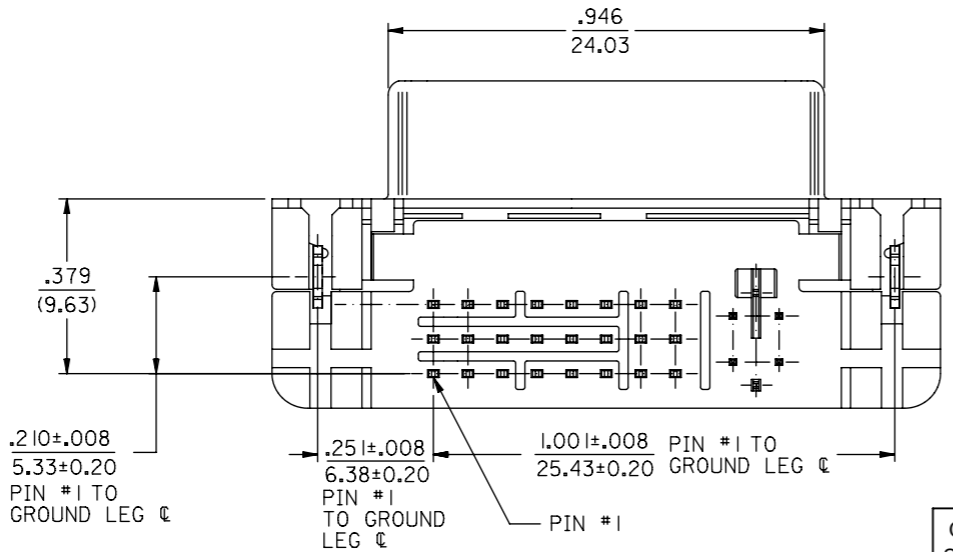
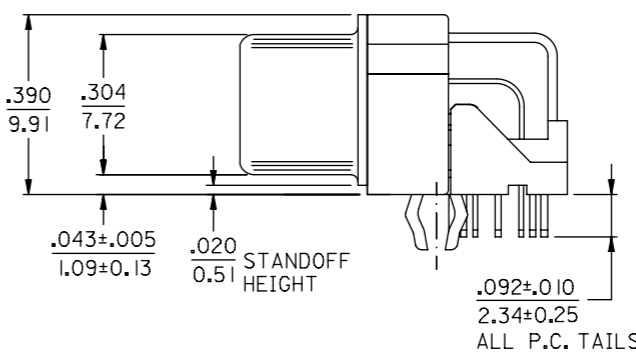
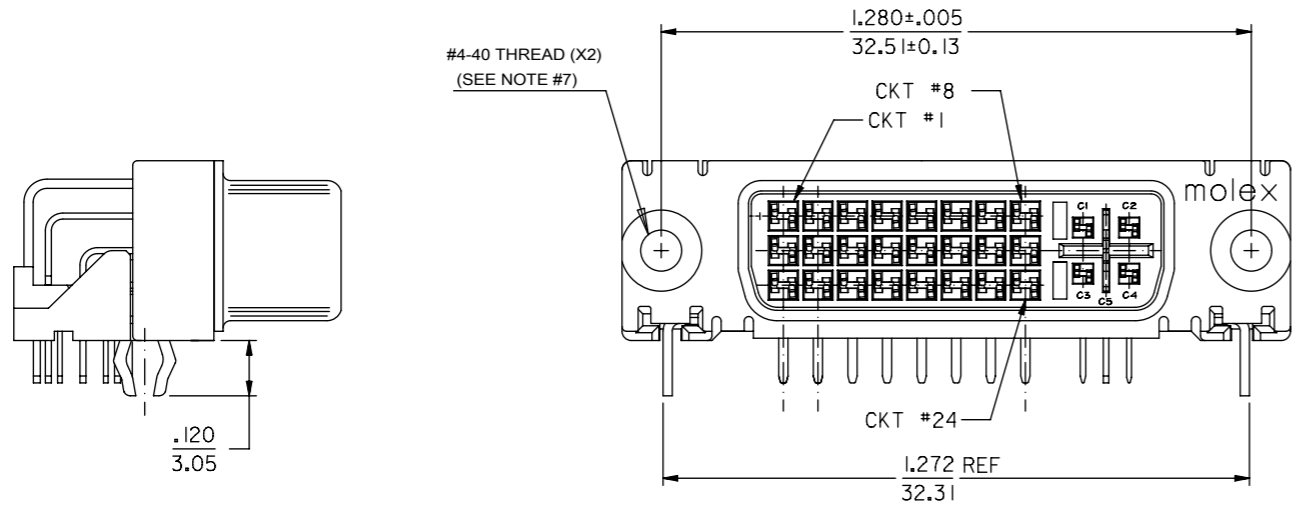


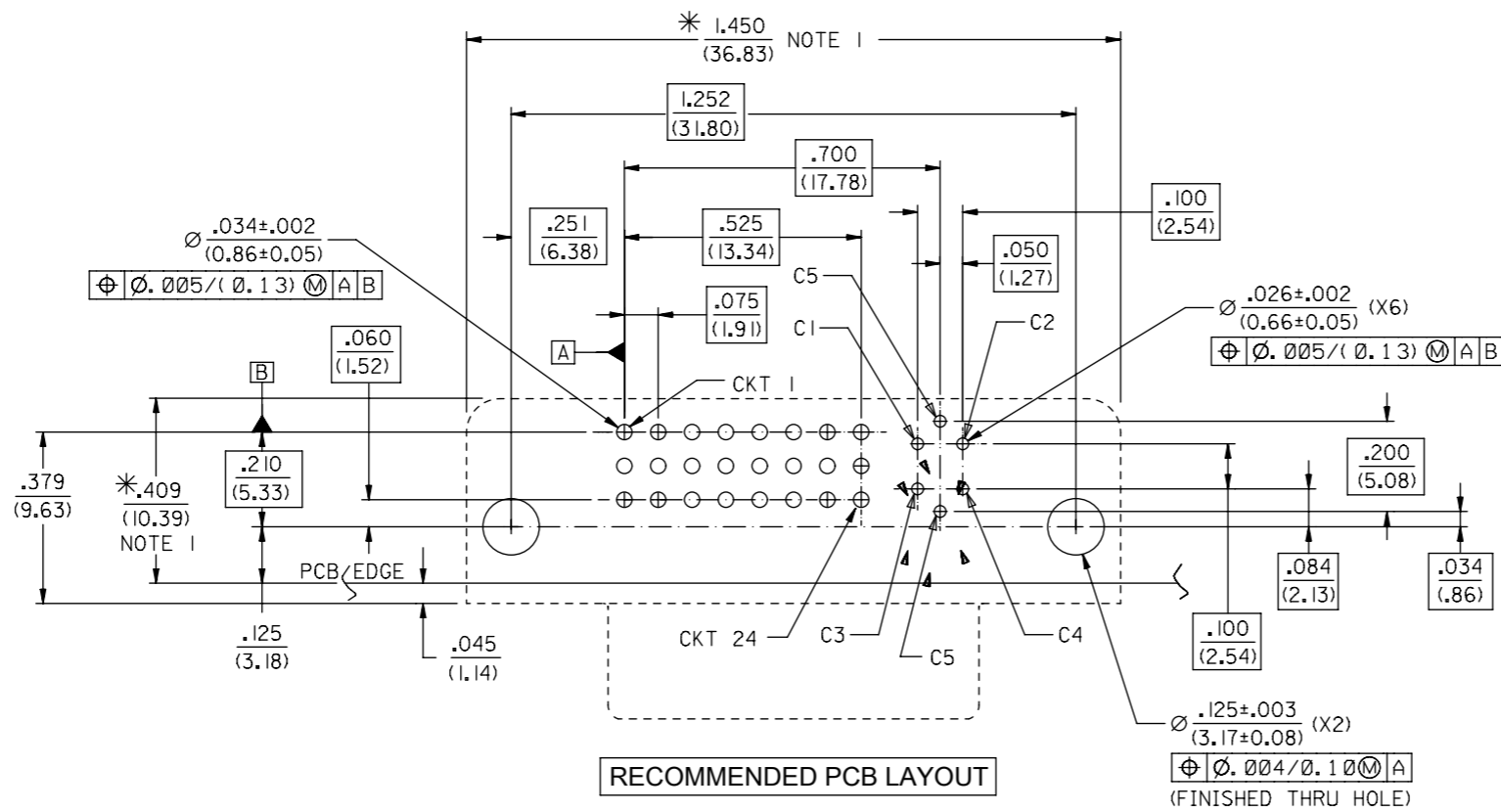
- NOTES:
- MATERIAL:
SHIELD: DEEP DRAW STEEL;
HOUSING: LCP, UL94V-0, NATURAL (WHITE);
TAIL ALIGNER: LCP, UL94V-0, NATURAL (WHITE);
CONTACT: COPPER ALLOY.
 - PLATING: SEE SHEET 2.
 - PRODUCT CONFORMS TO MOLEX PRODUCT SPECIFICATION NUMBER PS-74320-001.
 - SEE SHEET 2 FOR RECOMMENDED PANEL CUT-OUT AND P.C.B. LAYOUT.
 - PARTS WILL BE PACKAGED IN TRAYS PER PK-74320-010.
 - PRODUCT CONFORMS TO DDWG DVI SPECIFICATION. REFER TO THIS SPECIFICATION FOR CONNECTOR MATING DIMENSIONS.
 - RECOMMENDED MOUNTING HARDWARE IS MOLEX P/N 71781-0001 OR 82007-0300 OR 88780-6066. REFER TO PRODUCT SPECIFICATION NUMBER PS-74320-001 FOR THIS APPLICATION TORQUE REQUIREMENT FOR ASSMBLING MOUNTING HARDWARE.
- ⚠ CAVITY ID AND MANUFACTURING PLANT CODE.



74320-9014	2
74320-9010	1
PART NUMBER	PLATING OPTION

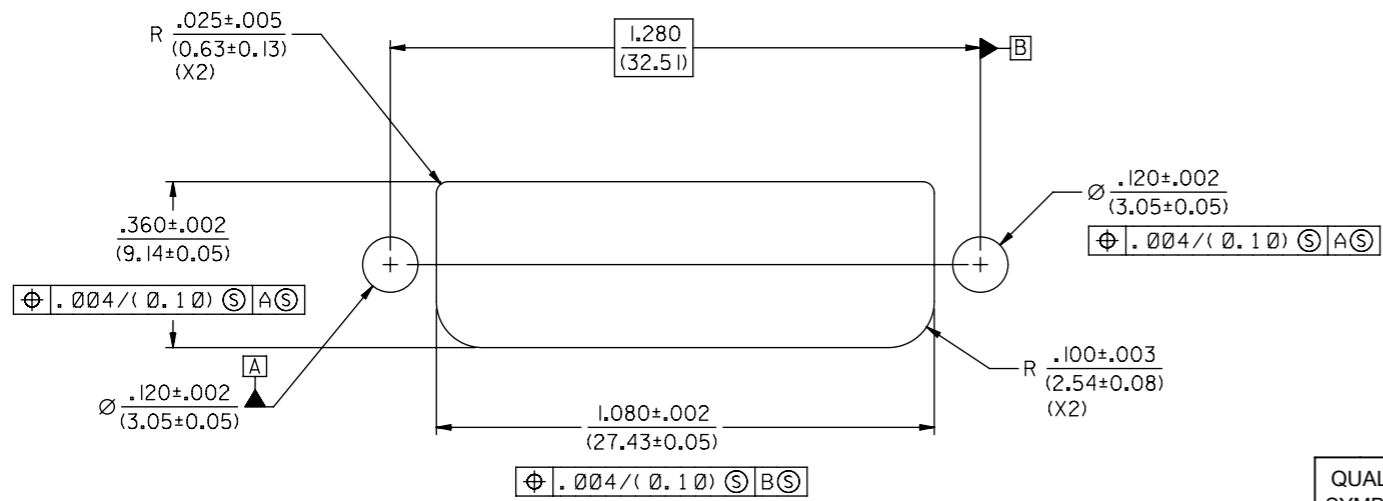
THIS DRAWING CONTAINS INFORMATION THAT IS PROPRIETARY TO MOLEX ELECTRONIC TECHNOLOGIES, LLC AND SHOULD NOT BE USED WITHOUT WRITTEN PERMISSION																	
QUALITY SYMBOLS	CHANGE SHELL PLATING	EC NO: 118825	DRWN: XQZHANG	CHK'D: XQZHANG	REV APPR: AYIN	2016/08/17	2016/08/16	2017/07/10	GENERAL TOLERANCES (UNLESS SPECIFIED)		DIMENSION UNITS	SCALE					
									INCH	1:1							
▽A = 0									ANGULAR TOL ± 1.0 °		DRWN BY	DATE					
▽E = 0									4 PLACES ± 0.01		XJSONG	2011/08/18					
▽F = 0									3 PLACES ± 0.01		CHK'D BY	DATE					
▽ = 0									2 PLACES ± 0.01		XJSONG	2011/08/18					
▽C = 0									1 PLACE ±		APPR BY	DATE					
▽ = 0									0 PLACES ±		RZHANG	2011/08/22					
▽ = 0									DRAFT WHERE APPLICABLE MUST REMAIN WITHIN DIMENSIONS		DRAWING SIZE	THIRD ANGLE PROJECTION					
▽ = 0											A3						
															DVI-I RIGHT ANGLE RECEPTACLE CONNECTOR, W/FORKLOCK		
												PRODUCT CUSTOMER DRAWING					
SERIES			MATERIAL NUMBER			CUSTOMER											
74320			SEE TABLE			GENERAL MARKET											
DOCUMENT NUMBER				DOC TYPE		DOC PART		SHEET NUMBER									
SD-74320-026				PSD		000		1 OF 2									

RELEASE STATUS	RELEASE DATE
----------------	--------------



RECOMMENDED PCB LAYOUT

COMPONENT SIDE OF PCB SHOWN
 * THESE DIMENSIONS REPRESENT CONNECTOR OVERLAY ON PCB.



RECOMMENDED PANEL CUT-OUT
 PANEL THICKNESS: .030"-.040"

PLATING OPTIONS:
 PLATING OPTION #1:
 OUT SHIELD -- 60u" (1.5um) MIN. SOLDERABLE NICKEL OVER
 30u" (0.75um) MIN. COPPER OVERALL.
 .075" (1.91mm) CONTACTS -- 30u" (0.75um) MIN. SELECT GOLD AND
 100u" (2.50um) MIN. SELECT PURE TIN
 OVER 50u" (1.27um) MIN. NICKEL OVERALL.
 PLATING OPTION #2:
 OUT SHIELD -- 60u" (1.5um) MIN. SOLDERABLE NICKEL OVER
 30u" (0.75um) MIN. COPPER OVERALL.
 .075" (1.91mm) CONTACTS -- SELECT GOLD FLASH AND
 100u" (2.50um) MIN. SELECT PURE TIN
 OVER 50u" (1.27um) MIN. NICKEL OVERALL.

THIS DRAWING CONTAINS INFORMATION THAT IS PROPRIETARY TO MOLEX ELECTRONIC TECHNOLOGIES, LLC AND SHOULD NOT BE USED WITHOUT WRITTEN PERMISSION												
QUALITY SYMBOLS	CHANGE SHELL PLATING	EC NO: 118825	DRWN: XQZHANG	CHK'D: XQZHANG	APPR: AYIN	GENERAL TOLERANCES (UNLESS SPECIFIED)		DIMENSION UNITS	SCALE			
						ANGULAR TOL ± 1.0 °		INCH	1:1			
▽A = 0						4 PLACES ± 0.01		DRWN BY	DATE	DVI-I RIGHT ANGLE RECEPTACLE CONNECTOR, W/FORKLOCK		
▽E = 0						3 PLACES ± 0.01	XJSONG	2011/08/18				
▽F = 0						2 PLACES ± 0.01		CHK'D BY	DATE	PRODUCT CUSTOMER DRAWING		
▽ = 0						1 PLACE ±	XJSONG	2011/08/18				
▽C = 0						0 PLACES ±		APPR BY	DATE	SERIES: 74320 MATERIAL NUMBER: SEE TABLE CUSTOMER: GENERAL MARKET		
▽ = 0							RZHANG	2011/08/22				
▽ = 0								DRAWING SIZE	THIRD ANGLE PROJECTION	DOCUMENT NUMBER: SD-74320-026 DOC TYPE: PSD DOC PART: 000 SHEET NUMBER: 2 OF 2		
▽ = 0								A3				

RELEASE STATUS	RELEASE DATE
----------------	--------------