

# 641-Series

## PUSHBUTTON SWITCHES

The single, double and triple pole 641-Series represents the most compact offerings of the Carling's pushbutton switch line. These switches are UL approved and meet ENEC spacing requirements. Additionally, the new 3-pole switch affords the versatility to control an extra function or indicator light. Rugged metal construction, self-cleaning contacts and stiff actuation force (3-3 1/2 lbs. typical) have made these switches ideal for most "foot pedal" type applications. These alternate action switches fit a standard .500" mounting hole with options of solder lug, wire lead and PC terminals.



### Resources:

Download 3D CAD Files

[IGS >](#) [STP >](#)

### Product Highlights:

- Available in 1-3 poles
- 3+ lbs. actuation force ideal for Foot pedal applications
- Solder Lug, Wire Lead or PC Terminal options
- Self-cleaning wiping style contacts

### Typical Applications:

- Music Equipment
- Test & Measurement Devices
- Audio-Visual Equipment
- Appliances



**Carling Technologies®**

Innovative Designs. Powerful Solutions.

**Carling Technologies, Inc.**  
60 Johnson Avenue, Plainville, CT 06062  
Email: [sales@carlingtech.com](mailto:sales@carlingtech.com)  
Application Support: [team2@carlingtech.com](mailto:team2@carlingtech.com)  
Phone: 860.793.9281 Fax: 860.793.9231

[www.carlingtech.com](http://www.carlingtech.com)

**Electrical**

Rating	5A 125VAC, 2A 250VAC
Dielectric Strength	1500V RMS
Insulation Resistance	50 Megohms
Initial Contact Resistance	10 Milli Ohm max @ 4Vdc
Electrical Life	50,000 Cycles
Terminals	Solder Lug, Wire Leads and PC

**Environmental**

Vibration Sinusoidal	Mil STD 202G, Method 204D, Test Condition A 0.06DA or 10G's 10-500Hz
Shock	MIL-STD 2020G, Method 213B Test Condition K, 30G's
Handling Shock	1 Meter Drop onto Hard Surface, all surfaces and planes
Thermal Shock	MIL-STD 2020G, Method 107G Test Condition A -55 C to 85 C
Moisture Resistance	MIL-STD 2020G, Method 106F 10 25 C to 65 C Cycles 95% RH
Thermal Cycling	25 Cycles -40 C to 85 C
Operating Temperature	32°F to 185°F (0°C to +85°C)

**Physical**

Function Circuits	Three Pole Single Throw, TPST Three Pole Double Throw, TPDT
Operation	Alternate Action, Push ON, Push OFF
Button Travel	0.19 (4.83mm)
Actuation Force	3 to 5 LB, 1360 to 2268 g
Base	Polyester, PBT Glass Filled
Button	Brass, Nickel Plated
Bushing	Brass, Nickel Plated
Plunger	Brass, Nickel Plated
Top Plate	Stainless Steel
Actuator (Internal)	Nylon 6/6
Pin (Internal) <sup>1</sup>	Nylon 6/6
Driver	Cold Rolled Steel
Springs	Music Wire
Movable Contact	Copper
Terminals	Brass (tin plated)
Mounting	½" Dia. Hole, with and without keyway, or with locking ring

**Safety & Regulation**

Agency	UL 61058, EN 61058 (3 Pole Version) UL 1054 (1 & 2 Pole Version)
Materials	RoHS, REACH

<sup>1</sup>Manufacturer reserves the right to change product specification without prior notice.

# 64111210

<sup>1</sup>  
Part Number

**1 PART NUMBER: SERIES / POLES / CIRCUITRY / RATING / TERMINATION <sup>1</sup>**

**One Pole**

**2A 250VAC, 5A 125VAC**

solder lug	PC term.	wire leads.	
64111210	64111212	64111215	ON-OFF
64111220	64111222	64111225	ON-ON

**Two Pole**

solder lug	PC term.	wire leads
64112210	64112212	64112215
64112220	64112222	64112225

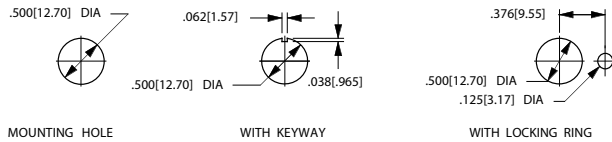
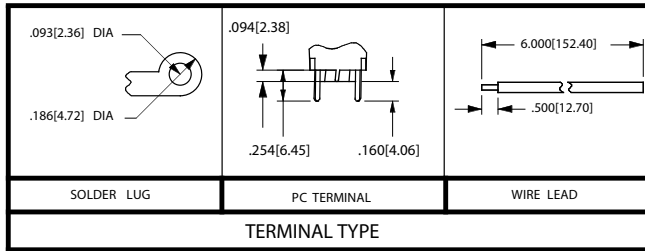
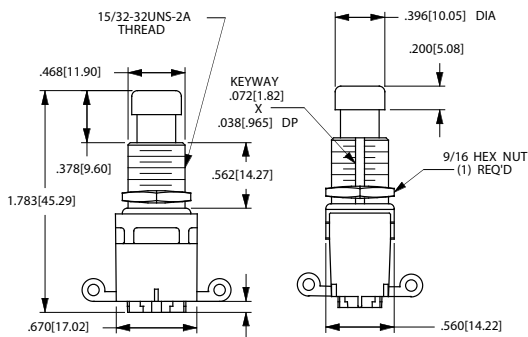
**Three Pole**

solder lug	PC term.	wire leads
64113210	64113212	64113215
64113220	64113222	64113225

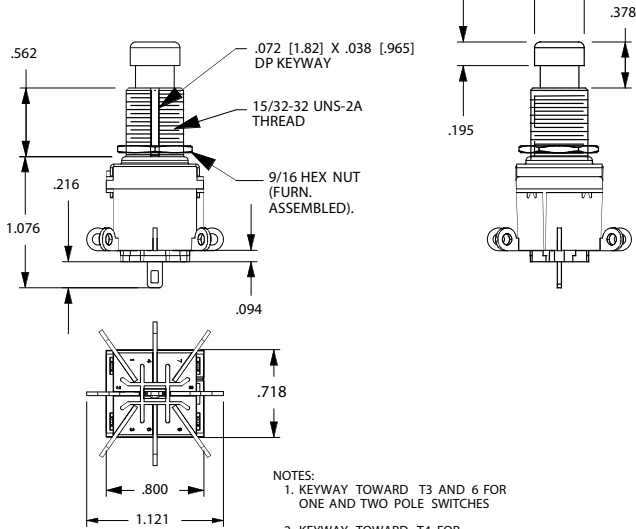
**Notes:**

<sup>1</sup> For 1 and 2 pole only. 3 Pole switches use brass Pin

**1 OR 2 POLE SHOWN WITH SOLDER LUG**

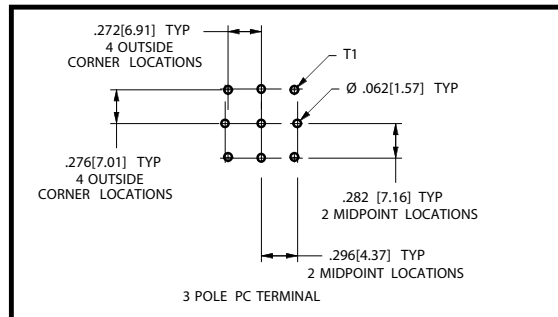
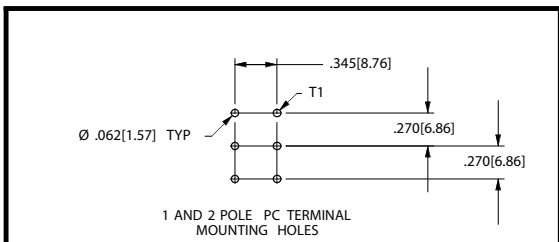
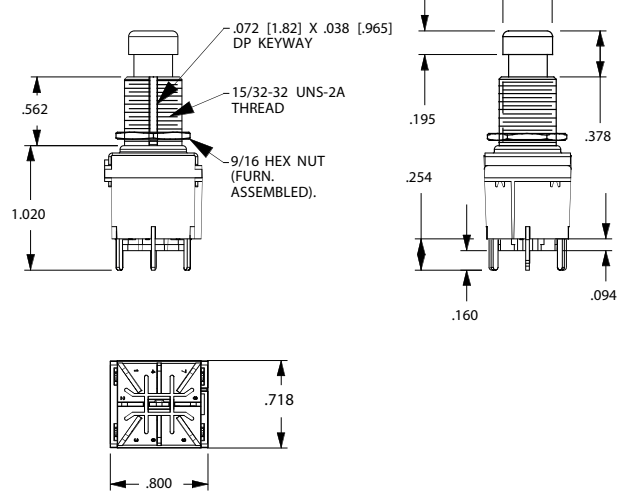


**3 POLE SHOWN WITH SOLDER LUG**



NOTES:  
1. KEYWAY TOWARD T3 AND 6 FOR ONE AND TWO POLE SWITCHES  
2. KEYWAY TOWARD T4 FOR THREE POLE SWITCHES.

**3 POLE SHOWN WITH PC TERMINAL**



## Authorized Sales Representatives and Distributors

Click on a region of the map below to find your local representatives and distributors or visit [www.carlingtech.com/findarep](http://www.carlingtech.com/findarep).



## About Carling

Founded in 1920, Carling Technologies is a leading manufacturer of electrical and electronic switches and assemblies, circuit breakers, electronic controls, power distribution units, and multiplexed power distribution systems. With four ISO9001 and IATF16949 registered manufacturing facilities and technical sales offices worldwide, Carling Technologies Sales, Service and Engineering teams do much more than manufacture electrical components, they engineer powerful solutions! To learn more about Carling please visit [www.carlingtech.com/company-profile](http://www.carlingtech.com/company-profile).

To view all of Carling's environmental, quality, health & safety certifications please visit [www.carlingtech.com/environmental-certifications](http://www.carlingtech.com/environmental-certifications)

## **Worldwide Headquarters**

Carling Technologies, Inc.  
60 Johnson Avenue, Plainville, CT 06062  
**Phone:** 860.793.9281 **Fax:** 860.793.9231  
**Email:** sales@carlingtech.com

**Northern Region Sales Office:** nrsm@carlingtech.com  
**Southeast Region Sales Office:** sersm@carlingtech.com  
**Midwest Region Sales Office:** mrrsm@carlingtech.com  
**West Region Sales Office:** wrsm@carlingtech.com  
**Latin America Sales Office:** larsm@carlingtech.com

## **Asia-Pacific Headquarters**

Carling Technologies, Asia-Pacific Ltd.,  
Suite 1607, 16/F Tower 2, The Gateway,  
Harbour City, 25 Canton Road,  
Tsimshatsui, Kowloon, Hong Kong  
**Phone:** Int + 852-2737-2277 **Fax:** Int + 852-2736-9332  
**Email:** sales@carlingtech.com.hk

**Shenzhen, China:** shenzhen@carlingtech.com  
**Shanghai, China:** shanghai@carlingtech.com  
**Pune, India:** india@carlingtech.com  
**Kaohsiung, Taiwan:** taiwan@carlingtech.com  
**Yokohama, Japan:** japan@carlingtech.com

## **Europe | Middle East | Africa Headquarters**

Carling Technologies LTD  
4 Airport Business Park, Exeter Airport,  
Clyst Honiton, Exeter, Devon, EX5 2UL, UK  
**Phone:** Int + 44 1392.364422 **Fax:** Int + 44 1392.364477  
**Email:** ltd.sales@carlingtech.com

**Germany:** gmbh@carlingtech.com  
**France:** sas@carlingtech.com



**Carling Technologies®**

Innovative Designs. Powerful Solutions.

# Mouser Electronics

Authorized Distributor

Click to View Pricing, Inventory, Delivery & Lifecycle Information:

## Carling Technologies:

[64111222](#) [64111220](#) [64111210](#) [64112210](#) [64112220](#) [64113220](#) [64113225](#) [64113222](#) [64113212](#) [64113210](#)  
[64113215](#) [64112222](#) [64111215](#) [64112215](#) [64111210-XUL1](#) [64112220/2 HEX](#) [64112220-XDU1](#) [641X1212-XMB1](#)  
[64111222/3 HEX](#) [64111222/2 HEX](#) [64112212-XUL1](#) [64112222-XUL1](#) [64111212/2 HEX](#) [64112225](#) [64111215-XRP1](#)  
[64111210/2 HEX](#) [64112222/728-15907](#) [64112220-XHN1](#) [64112220-XOO1](#) [64111212](#) [64111225](#) [641X2222-XFT1](#)  
[64112212](#) [64112222-XKG2](#) [64112220-XSH1](#) [64111215-XLT1](#) [64111220/2HEX](#) [64112225-XMF1](#) [64111222XFM1](#)  
[64112220XD01](#) [64112222/2 HEX](#)