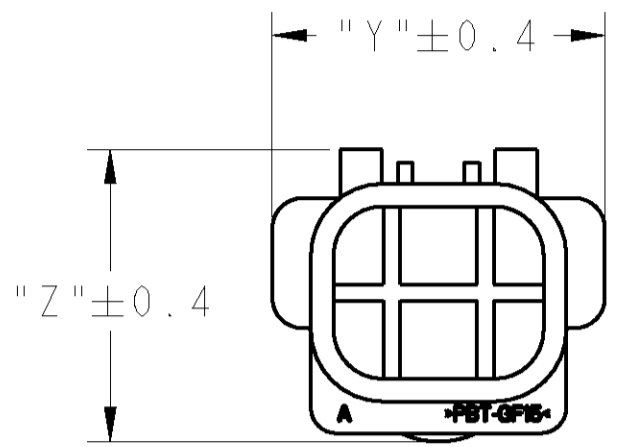
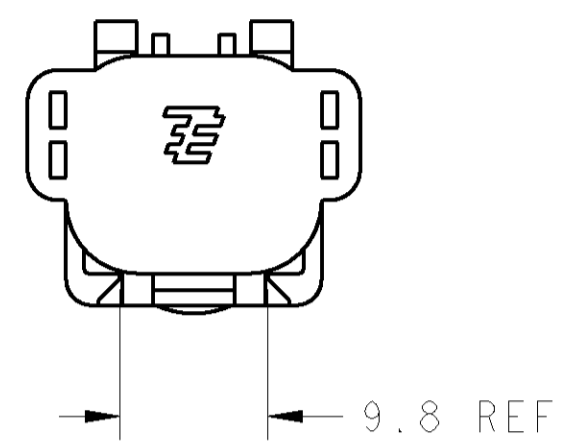
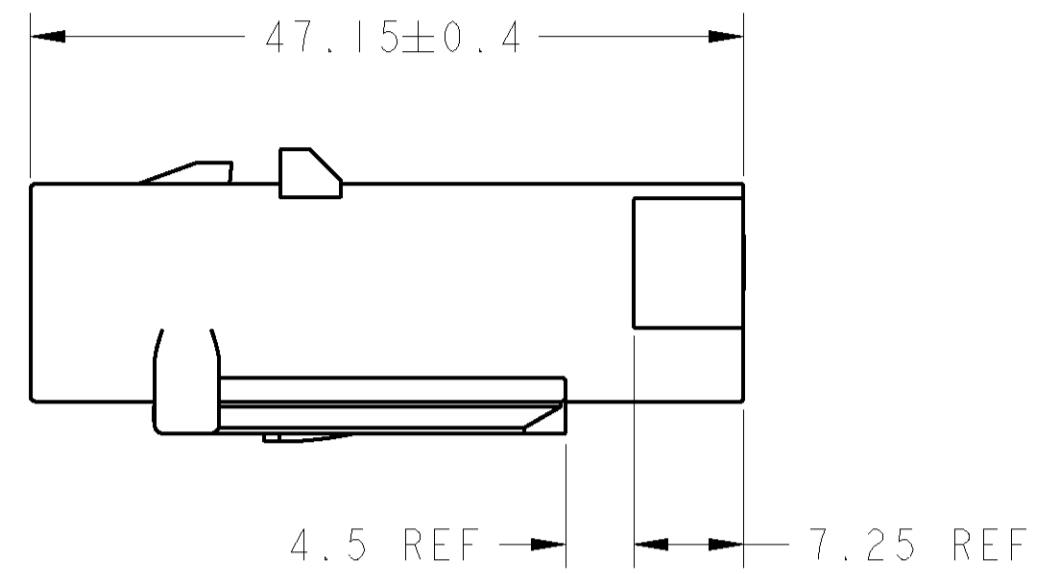


THIS DRAWING IS UNPUBLISHED. RELEASED FOR PUBLICATION 20
 © COPYRIGHT 20 BY TYCO ELECTRONICS CORPORATION. ALL RIGHTS RESERVED.

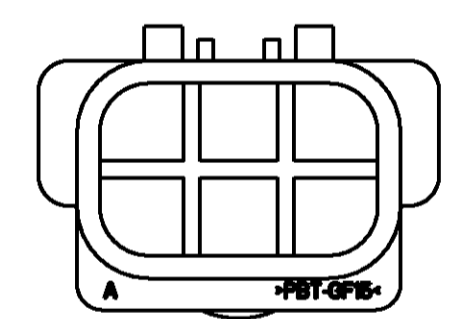
LOC	DIST	REVISIONS			
P	LTR	DESCRIPTION	DATE	DWN	APVD
J	-	A	RELEASED	07OCT2009	J.A T.K



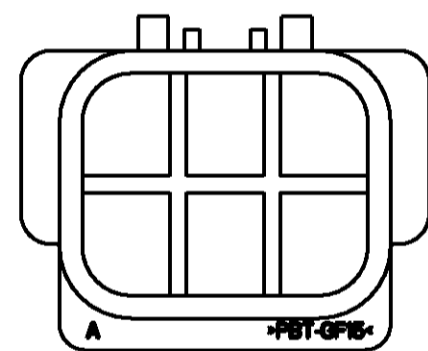
2 POS
2040594-1
SCALE 2:1



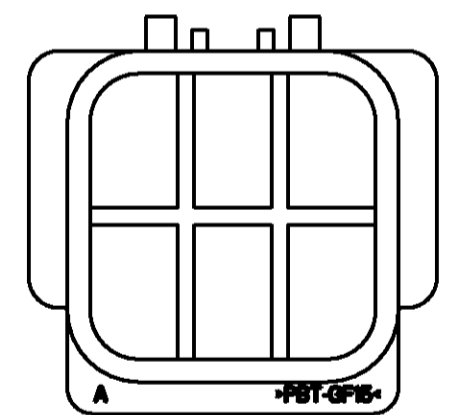
△ MATERIAL : 15% GLASS FILLED THERMOPLASTIC
 COLOR : BLACK



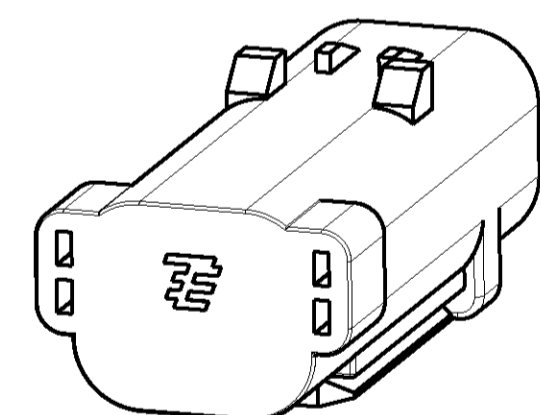
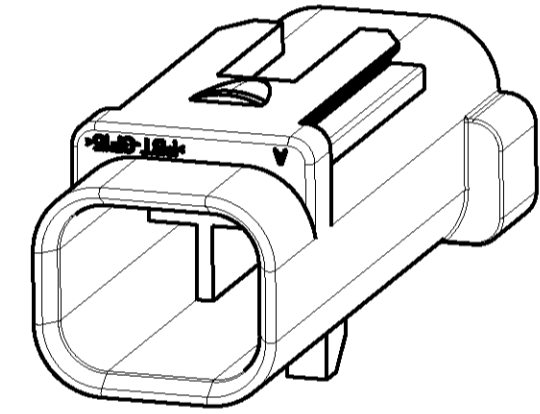
3 POS
2040594-2
SCALE 2:1



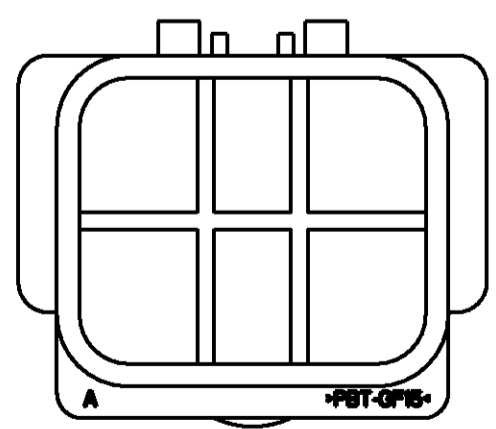
4 POS
2040594-3
SCALE 2:1



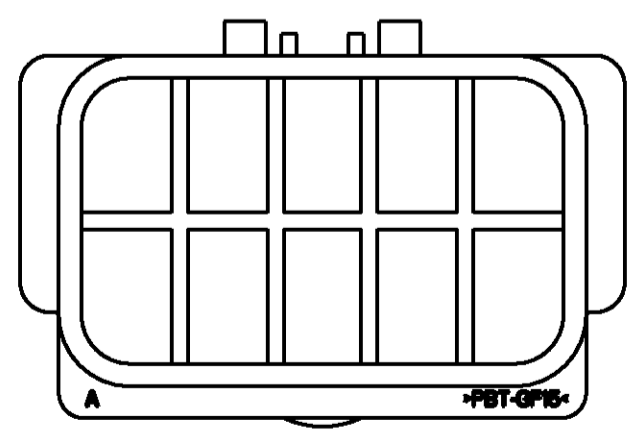
6 POS
2040594-4
SCALE 2:1



776533-1, -2, -3, -4	2040594-6
776437-1, -2, -3, -4	
776532-1, -2, -3, -4	2040594-5
776494-1, -2, -3, -4	
776531-1, -2, -3	2040594-4
776433-1, -2, -3	
776524-1, -2, -3, -4	2040594-3
776487-1, -2, -3, -4	
776523-1, -2, -3, -4	2040594-2
776429-1, -2, -3, -4	
776522-1, -2, -3, -4	2040594-1
776427-1, -2, -3, -4	
MATING RECEPTACLE HOUSING	PART NUMBER



8 POS
2040594-5
SCALE 2:1



12 POS
2040594-6
SCALE 2:1

26.8	40	12 POS	-6
26.8	31	8 POS	-5
26.8	27	6 POS	-4
22.6	27	4 POS	-3
19.3	26.5	3 POS	-2
19.3	22	2 POS	-1
DIM "Z"	DIM "Y"	DESCRIPTION	PART NO.

THIS DRAWING IS A CONTROLLED DOCUMENT FOR TYCO ELECTRONICS CORPORATION
 IT IS SUBJECT TO CHANGE AND THE CONTROLLING ENGINEERING ORGANIZATION
 SHOULD BE CONTACTED FOR THE LATEST REVISION

DIMENSIONS: 単位: 純 mm	TOLERANCES UNLESS OTHERWISE SPECIFIED: 一般公差 ± 0-PLC ± 1-PLC ± 2-PLC ± 3-PLC ± 4-PLC ±	DWN J. AKASAKA 07OCT2009 CHK N. YAMASAKI 07OCT2009 APVD I. KIMURA 07OCT2009	Tyco Electronics Tyco Electronics Corporation Kawasaki, Japan
MATERIAL 材料	ANGLES FINISH 仕上	PRODUCT SPEC 108-78716 APPLICATION SPEC 取付適用規格	NAME SEAL CAP HOUSING AMPSEAL 16 SEAL CAP
CUSTOMER DRAWING		WEIGHT -	SIZE A200779
		SCALE 2:1	DRAWING NO 2040594
		SHEET 1	REV A

Mouser Electronics

Authorized Distributor

Click to View Pricing, Inventory, Delivery & Lifecycle Information:

[TE Connectivity:](#)

[2040594-1](#)