

Basic terminal block - PI-MB/16/3/D-SUB - 2835697


Please be informed that the data shown in this PDF Document is generated from our Online Catalog. Please find the complete data in the user's documentation. Our General Terms of Use for Downloads are valid (<http://phoenixcontact.com/download>)



Motherboard to accept 16 x PI-Nicht-Ex-i isolator modules (PI-N-...), three terminal points for the field side for every module, 37-pos. D-SUB pin strip for connection of the signals to the control system level, assembly on NS 32, or NS 35/7.5.



Key Commercial Data

Packing unit	1 pc
GTIN	 4 017918 951146
GTIN	4017918951146

Technical data

Dimensions

Width	247.7 mm
Height	127.5 mm
Depth	92 mm

Ambient conditions

Ambient temperature (operation)	-20 °C ... 60 °C
Ambient temperature (storage/transport)	-40 °C ... 75 °C

General

Nom. voltage	20 V DC ... 35 V DC (See nominal voltage, PI modules)
Housing insulation material	Polyamide PA non-reinforced, polycarbonate PC
Flammability rating according to UL 94	V0
Color	green
Conformance	CE-compliant

Standards and Regulations

Flammability rating according to UL 94	V0
Conformance	CE-compliant

Environmental Product Compliance

Basic terminal block - PI-MB/16/3/D-SUB - 2835697

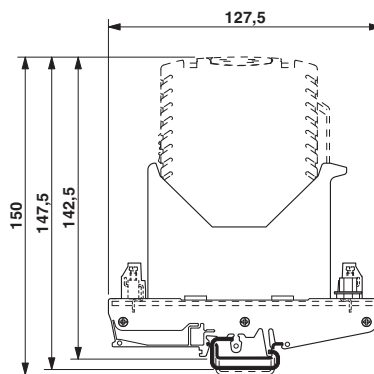
Technical data

Environmental Product Compliance

China RoHS	Environmentally Friendly Use Period = 50
	For details about hazardous substances go to tab "Downloads", Category "Manufacturer's declaration"

Drawings

Dimensional drawing



Phoenix Contact 2018 © - all rights reserved
<http://www.phoenixcontact.com>

PHOENIX CONTACT GmbH & Co. KG
Flachsmarktstr. 8
32825 Blomberg
Germany
Tel. +49 5235 300
Fax +49 5235 3 41200
<http://www.phoenixcontact.com>

Mouser Electronics

Authorized Distributor

Click to View Pricing, Inventory, Delivery & Lifecycle Information:

[Phoenix Contact:](#)

[2835697](#)