

DESCRIPTION: POWER / SIGNAL - VERTICAL BOARD - FEMALE - MACHINED

**SPECIFICATIONS:**

**ELECTRICAL:**

INSULATOR RESISTANCE: 5 GOHMS Min.  
 DIELECTRIC WITHSTANDING: 1,000 VAC for 1 MINUTE  
 OPERATING TEMPERATURE: -55° C ~ +125° C  
 CONTACT RESISTANCE: 1.0 mOHMS Max.  
 POWER PINS: SEE PART No. BELOW  
 SIGNAL PINS: 5 AMPS

**MECHANICAL:**

CONTACT INSERTION FORCE: 4.5 Kg Max.  
 CONTACT SEPARATOR FORCE: 0.3Kg Min.

**MATERIALS:**

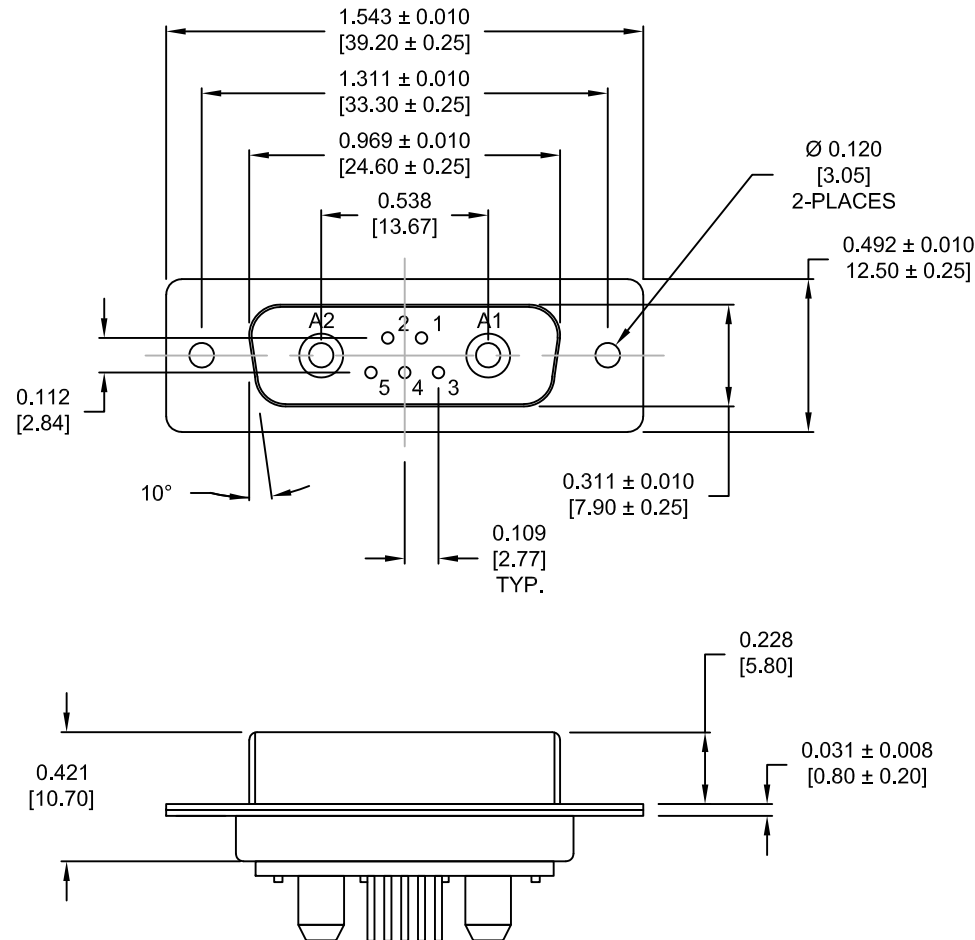
CONTACTS: COPPER ALLOY  
 INSULATOR: PBT UL94V-0 RATED, BLACK  
 230°C PROCESS TEMP.  
 SHELL: STEEL

**FINISH:**


SHELL: NICKEL  
 CONTACTS: FULL GOLD FLASH

681M7W2203L001

00 = 40 AMPS

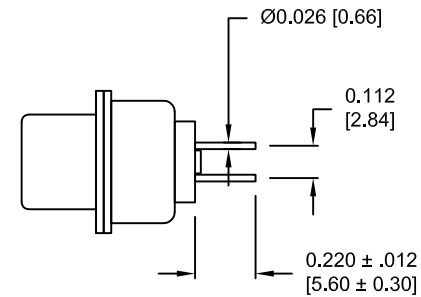
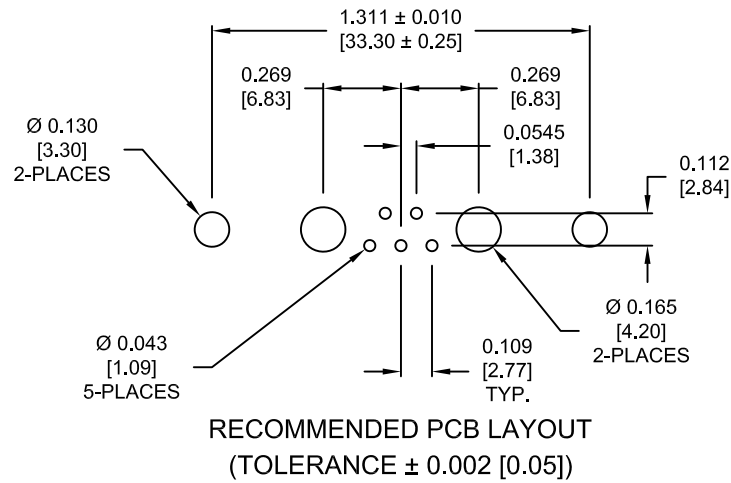


RoHS COMPLIANT

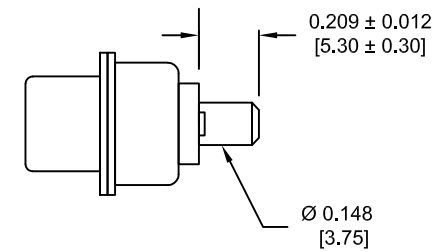
	THESE DRAWINGS AND SPECIFICATIONS ARE THE PROPERTY OF NorComp AND SHALL NOT BE REPRODUCED, COPIED OR USED AS THE BASIS FOR THE MANUFACTURE OF SALE OF APPARATUS WITHOUT WRITTEN PERMISSION.		DRAWN: M. SIGMON	DATE: 07-18-13
	<b>NorComp</b>		SCALE: N.T.S.	SHEET 1 OF 2
DWG NO. 681M7W2203L001			681M7W2203L001	

DESCRIPTION: 681 SERIES CONTACTS

NOTE: SIGNAL AND POWER CONTACTS  
COME PRE-LOADED INTO INSULATORS



SIGNAL CONTACTS



POWER CONTACTS

RoHS COMPLIANT



THESE DRAWINGS AND SPECIFICATIONS  
ARE THE PROPERTY OF NorComp AND  
SHALL NOT BE REPRODUCED, COPIED  
OR USED AS THE BASIS FOR THE  
MANUFACTURE OF SALE OF APPARATUS  
WITHOUT WRITTEN PERMISSION.

DRAWN:  
M. SIGMON

DATE:  
07-18-13

NorComp

SCALE: N.T.S. SHEET 2 OF 2 REV 1

DWG NO. 681M7W2203L001

# Mouser Electronics

Authorized Distributor

Click to View Pricing, Inventory, Delivery & Lifecycle Information:

[NorComp:](#)

[681M7W2203L001](#)