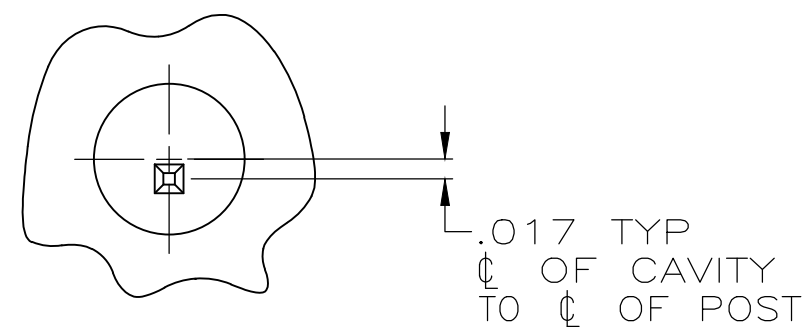
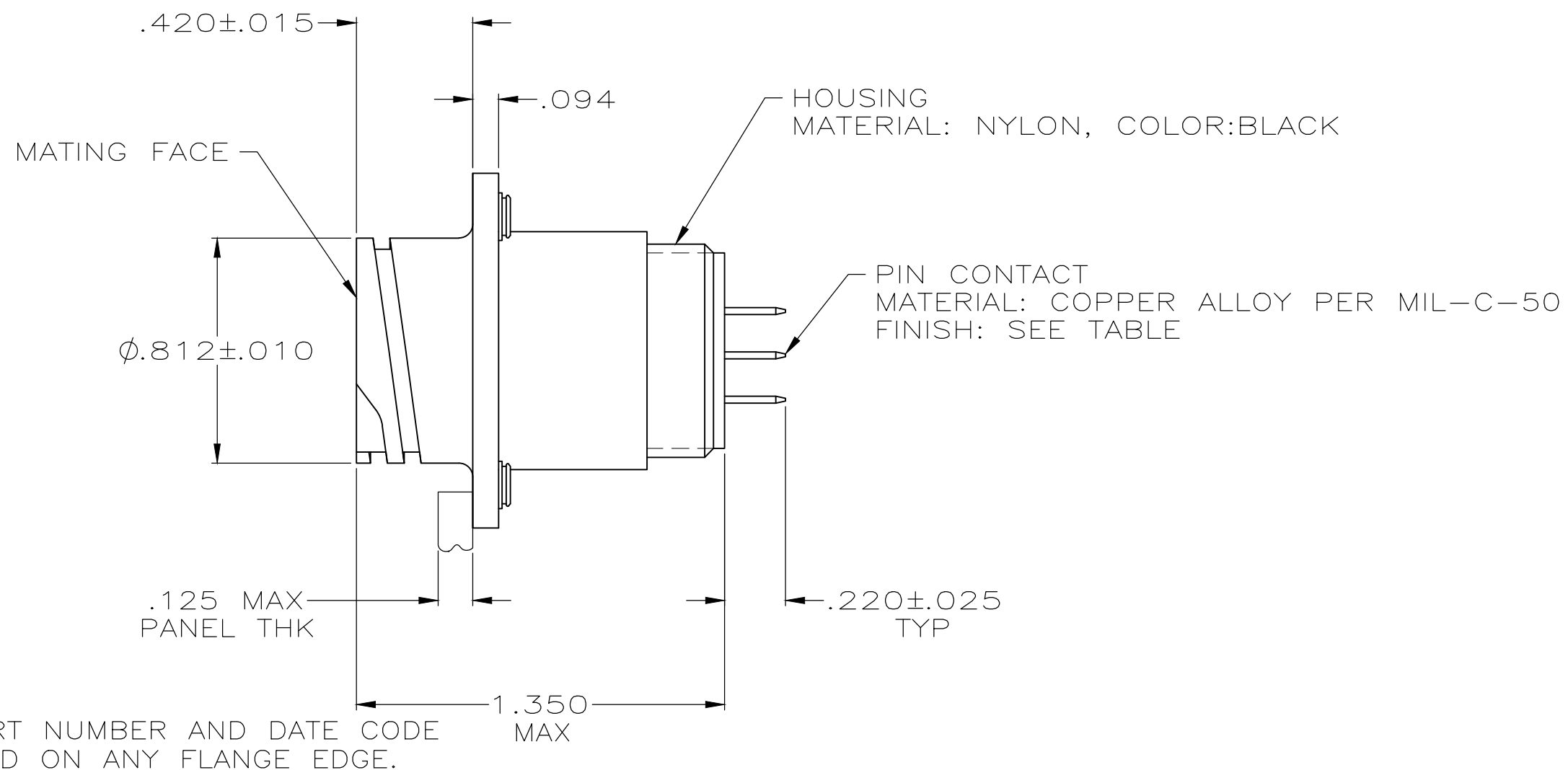
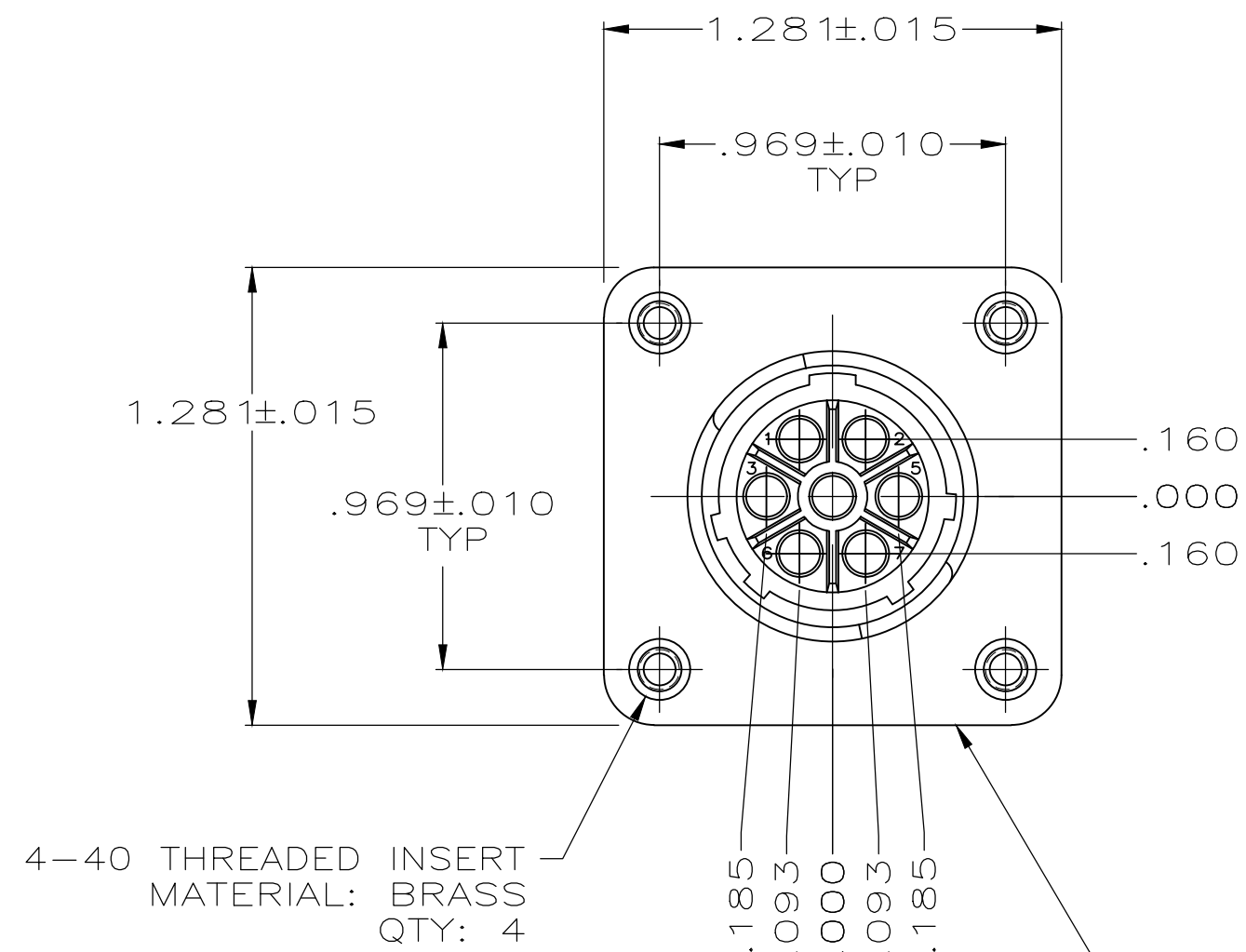


THIS DRAWING IS UNPUBLISHED. RELEASED FOR PUBLICATION
 © COPYRIGHT - By - ALL RIGHTS RESERVED.

REVISIONS					
P	LTR	DESCRIPTION	DATE	DWN	APVD
A		REVISED PER 0G3B-0100-05	5/4/05	SS	HW
B		REVISED PER ECO-16-018356	22MAR2017	RS	MZ
C		REVISED PER ECO-18-007248	17MAY2018	KH	MZ



POST ARRANGEMENT ON REAR FACE
 SCALE 6:1

NOTES:

- 1 CONTACT BODY: GOLD PER MIL-GL-45204 OVER NICKEL PER QQ-N-290. CONTACT POST: TIN-LEAD PER MIL-T-10727 OVER COPPER PER MIL-G-14550A.
- 2 CONTACT BODY: GOLD PER MIL-GL-45204 OVER NICKEL PER QQ-N-290. CONTACT POST: TIN PER MIL-T-10727 OVER COPPER PER MIL-G-14550A.

OBSOLETE	2	1-796433-1
	1	796433-1
CONTACT FINISH	PART NUMBER	

THIS DRAWING IS A CONTROLLED DOCUMENT.		DWN S.WELDON 23FEB00		
DIMENSIONS: INCHES		CHK M.CHACKO 24FEB00		
TOLERANCES UNLESS OTHERWISE SPECIFIED:		APVD M.CHACKO 24FEB00	NAME	
0 PLC ± - 1 PLC ± - 2 PLC ± 0.13 [.005] 3 PLC ± - 4 PLC ± - ANGLES ± -		PRODUCT SPEC	RECEPTACLE ASSY, POSTED, STD SEX, SERIES 1, SIZE 13-7, CPC	
MATERIAL SEE CALLOUTS		FINISH -	WEIGHT -	RESTRICTED TO -
CUSTOMER DRAWING		SCALE 2:1	SHEET 1 of 1	REV C

Mouser Electronics

Authorized Distributor

Click to View Pricing, Inventory, Delivery & Lifecycle Information:

[TE Connectivity:](#)

[1-796433-1](#)