



**pui**  
**audio**™ inc  
a projects unlimited company

## AS07708PS-2-WR-R 77mm Speaker

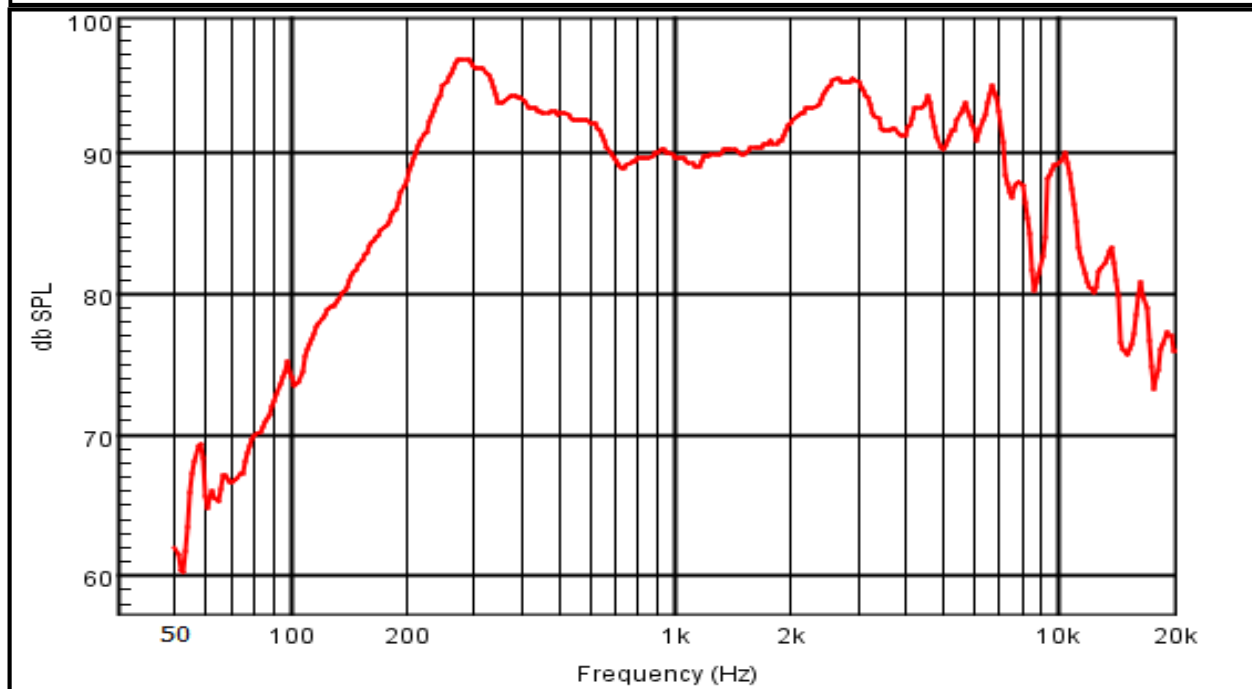
3541 Stop Eight Road • Dayton, Ohio 45414

### Product Overview

- 77mm speaker with square frame and 90 dB sensitivity
- 4W continuous, 8W maximum power handling and 8Ω impedance
- Water-resistant treated paper cone for natural sound

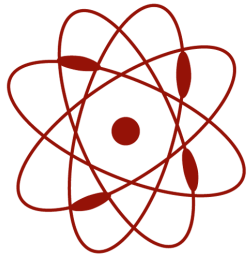


Frequency Response (1W @ 0.5 meters)



RoHS Compliant





**pui**  
**audio**™ inc  
a projects unlimited company

## **AS07708PS-2-WR-R**

### **77mm Speaker**

#### **Mechanical and Environment Testing**

<b>Test Description</b>	<b>Test Condition</b>
High Temperature	85°C (±2°C) with random humidity for 48 hours
Low Temperature	-40°C (±2°C) with random humidity for 48 hours
Humidity	40°C (±2°C) with 90% to 95% relative humidity for 48 hours
Power Test	White noise @ 4W input power for 48 hours
Buzz and Rattle Test	5.66V sine wave
After tests, speaker shall rest for 1 hour. SPL shall not deviate ±3 dB from pre-test measurement.	
Temperature Cycle Test	-10°C to 40°C, 4 cycles (refer to Temperature Cycle Test Graph)
After test, speaker shall rest for 1 hour. SPL shall not deviate ±3 dB from pre-test measurement.	

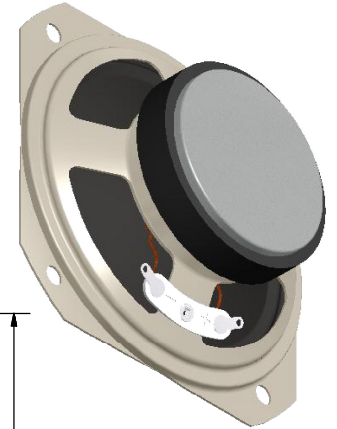
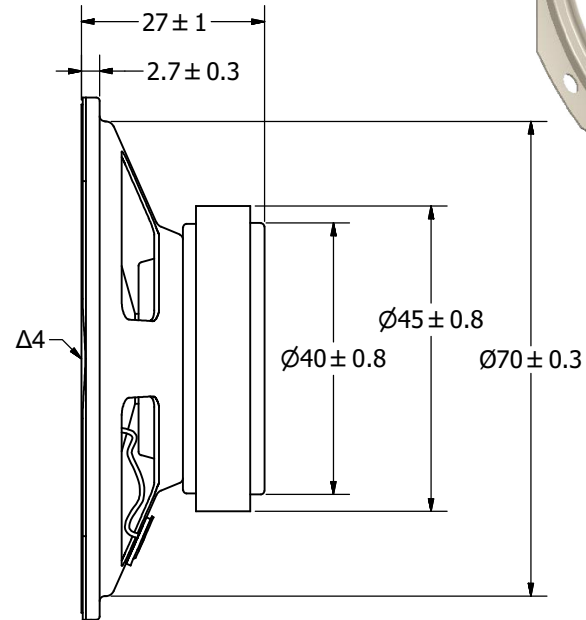
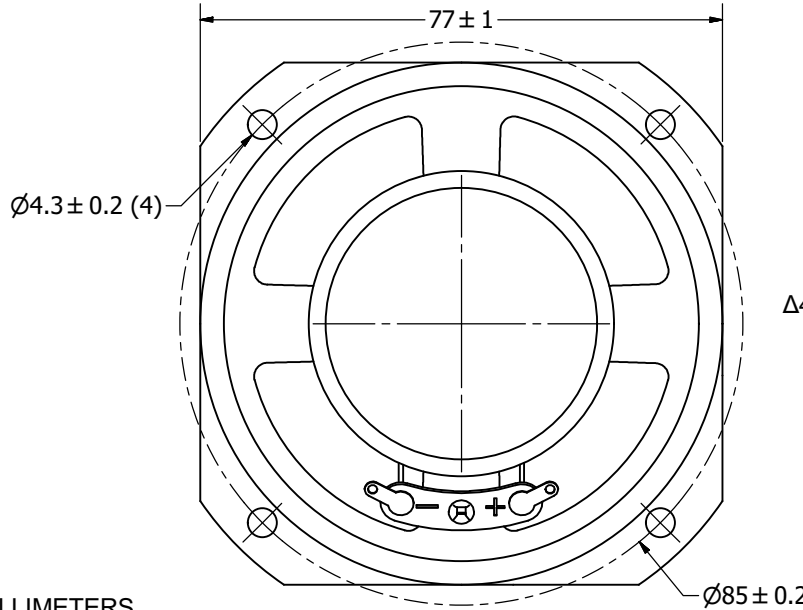
# SPECIFICATIONS

PARAMETERS	VALUES	UNITS
RATED INPUT POWER	4	W
MAX INPUT POWER	8	W
IMPEDANCE	8 ± 15%	OHM
OUTPUT SPL @ 1W/.5M (AT 0.4, 0.6, 0.8, 1.0 KHz)	90 ± 3	dBA
DISTORTION (MAX.)	5%	-
RESONANT FREQUENCY	250 ± 20%	Hz
FREQUENCY RANGE	250 ~ 10,000	Hz
HOUSING MATERIAL	METAL	-
CONE MATERIAL	TREATED PAPER	-
MAGNET MATERIAL	FERRITE	-
OPERATING TEMPERATURE	-40 ~ +85	°C
WEIGHT	118	grams

THIS DOCUMENT CONTAINS DATA PROPRIETARY TO PROJECTS UNLIMITED, INC. ANY USE OR REPRODUCTION, IN ANY FORM, WITHOUT PRIOR WRITTEN PERMISSION OF PROJECTS UNLIMITED, INC. IS PROHIBITED.  
©2003, Projects Unlimited Inc.

# REVISION HISTORY

LTR	DESCRIPTION	DATE	APPROVED
-	RELEASED FROM ENGINEERING	3/30/2006	
A	ADDED MOUNTING HOLE DIMENSION	12/19/2007	R.W.
B	REVISED TO INVENTOR 3-D DRAWING TEMPLATE	1/28/2009	B.R.
C	REVISED SEVERAL DIMENSIONS AND SPECIFICATIONS	1/24/2011	B.R.
D	ADDED NOTE 5	8/12/2011	B.R.
E	REVISED HOLE TO HOLE DIMENSION, ROHS STATUS, SPL DISTANCE	7/16/2013	M.L.
F	REVISED OPERATING TEMPERATURE	9/16/2013	M.L.



### NOTES:

- ALL DIMENSIONS ARE IN MILLIMETERS.
- SPECIFICATIONS SUBJECT TO CHANGE OR WITHDRAWL WITHOUT NOTICE.
- THIS PART IS RoHS 2011/65/EU COMPLIANT.
- Δ4. CONE HAS BEEN TREATED FOR WATER RESISTANCE.
- BASE SPEAKER PUI# AS07708PS-2-R.

UNLESS OTHERWISE SPECIFIED: DIMENSIONS ARE IN MILLIMETERS, TOLERANCES ARE ±0.5 AND ANGLES ARE ±3°.	SIZE <b>A3</b>	Designed by	Date	Checked by	Date	Approved by	Date	Drawn Date	
		B.R.	3/30/2006	B.R.	3/30/2006	E.P.	3/30/2006	1/28/2009	
AS07708PS-2-WR-R		 <b>pui audio</b> a projects unlimited company			<b>AS07708PS-2-WR-R</b> Speaker			Edition	Sheet
AS07708PS-2-WR-R.idw								-	1 / 1