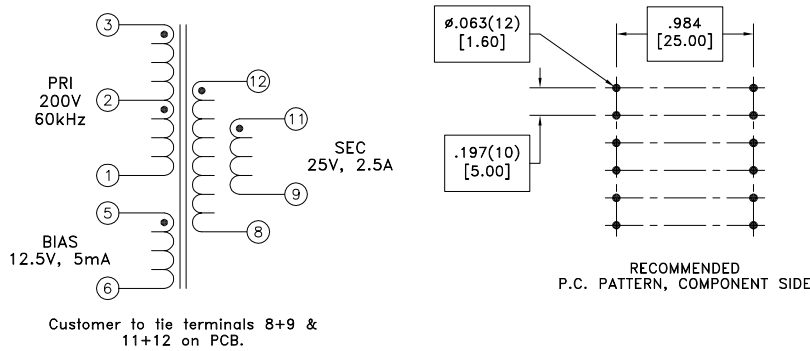
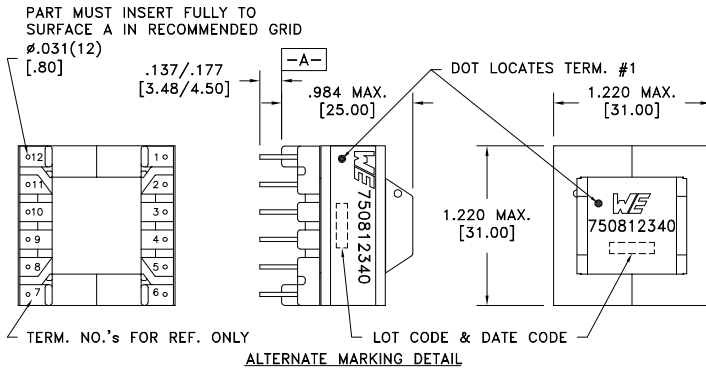


CUSTOMER TERMINAL	RoHS	LEAD(Pb)-FREE
Sn96%, Ag4%	Yes	Yes



ELECTRICAL SPECIFICATIONS @ 25°C unless otherwise noted:

PARAMETER	TEST CONDITIONS	VALUE
D.C. RESISTANCE	1-2 @20°C	0.130 ohms max.
D.C. RESISTANCE	2-3 @20°C	0.100 ohms max.
D.C. RESISTANCE	5-6 @20°C	0.060 ohms max.
D.C. RESISTANCE	8-11 @20°C	0.065 ohms max.
D.C. RESISTANCE	9-12 @20°C	0.065 ohms max.
INDUCTANCE	1-3 10kHz, 100mVAC, Ls	200uH ±10%
SATURATION CURRENT	20% rolloff from initial	7.6A
LEAKAGE INDUCTANCE	1-3 tie(5+6, 8+9+11+12), 100kHz, 100mVAC, Ls	4.0uH typ., 8.0uH max.
DIELECTRIC	3-12 tie(1+5, 11+12), 3750VAC, 1 second	3000VAC, 1 minute
DIELECTRIC	3-5 1250VAC, 1 second	1000VAC, 1 minute
URNS RATIO	(3-1):(12-9)	4:1, ±1%
URNS RATIO	(3-1):(11-8)	4:1, ±1%
URNS RATIO	(3-1):(5-6)	8:1, ±1%
URNS RATIO	(3-2):(2-1)	1:1, ±1%

GENERAL SPECIFICATIONS:

Designed to comply with the following requirements as defined by IEC60950-1, EN60950-1, UL60950-1/CSA60950-1 and AS/NZS60950.1:

- Basic insulation for a primary circuit at a working voltage of 250Vrms.

Wire insulation & RoHS status not affected by wire color.  
 Wire insulation color may vary depending on availability.

REV.	DATE	Packaging Specifications Method: Tray PKG-0872 www.we-online.com/midcom		Tolerances unless otherwise specified: Angles: ±1° Fractions: ±1/64 Decimals: ±.005 [.13] Footprint: ±.001 [.03]	DRAWING TITLE <b>TRANSFORMER</b>	PART NO. <b>750812340</b>
6A	4/13	SEE REVISION SHEET FOR REVISION LEVEL	CONVENTION PLACEMENT	This drawing is dual dimensioned. Dimensions in brackets are in millimeters.	eiSos p/n: 750812340	compliant RoHS SPECIFICATION SHEET 1 OF 1

# Mouser Electronics

Authorized Distributor

Click to View Pricing, Inventory, Delivery & Lifecycle Information:

[Wurth Electronics:](#)

[750812340](#)