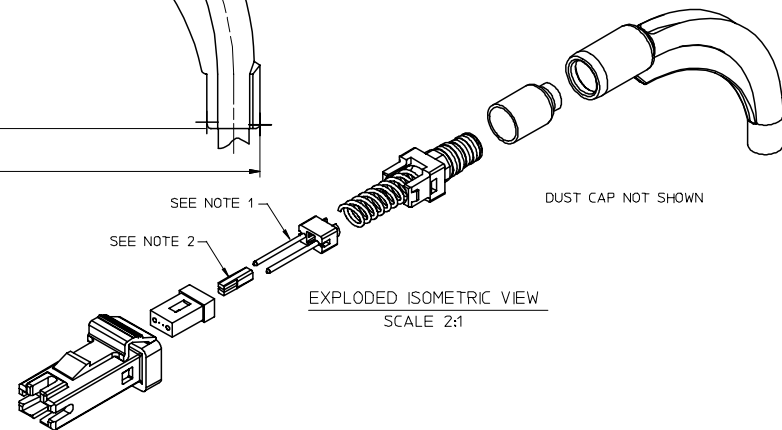
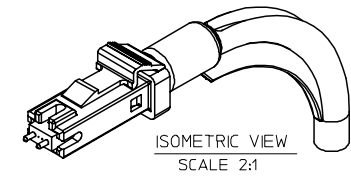
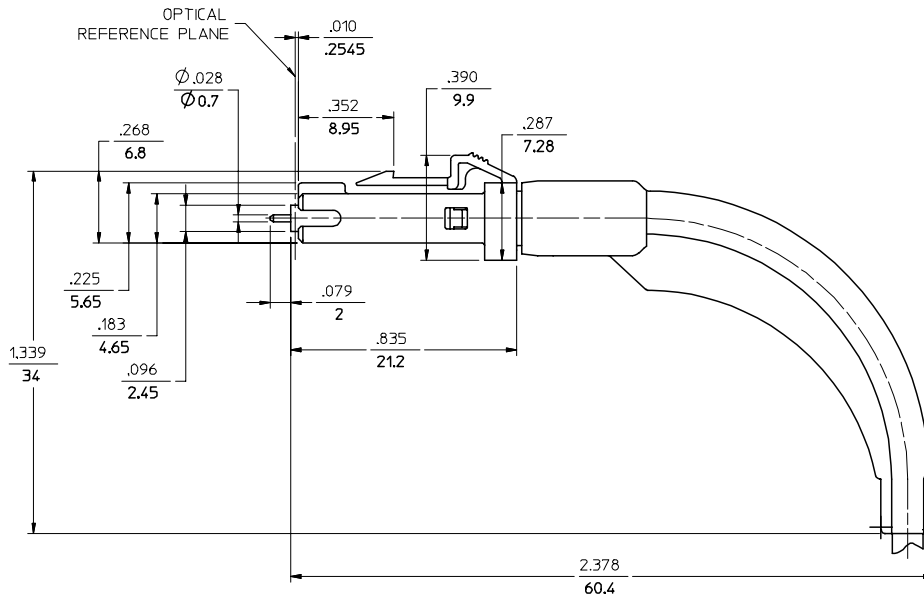
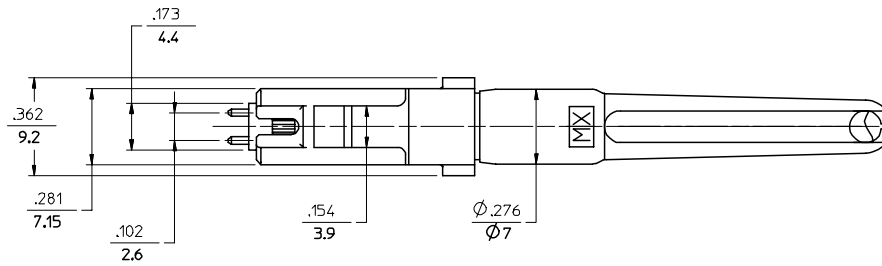


CONNECTOR P/N	CONNECTOR TYPE	BOOT COLOR
106002-3400	MALE MULTIMODE	BEIGE
106003-3400	FEMALE MULTIMODE	BEIGE
106002-5400	MALE SINGLEMODE	BLUE
106003-5400	FEMALE SINGLEMODE	BLUE
106002-3430	MALE MULTIMODE	BLACK
106003-3430	FEMALE MULTIMODE	BLACK



AVAILABLE CABLE TYPES

CABLE TYPE 1	CABLE TYPE 2	CABLE TYPE 3
2 FIBER DUAL LINK WITH Ø2.8mm JACKET	2 FIBER ZIPCORD 3.5mm X 1.6mm	2 FIBER RIBBON WITH Ø 2.9mm JACKET

NOTES:

1. DUST CAP NOT SHOWN, BUT INCLUDED.
2. MALE CONNECTOR SHOWN, FEMALE CONNECTOR DOES NOT CONTAIN PINS.
3. CABLE TYPE 1 & 2 DO NOT REQUIRE FERRULE BOOT.
4. SEE PROCEDURE 0A1131 FOR ASSEMBLY INSTRUCTIONS.

ENTER DESCRIPTION FC NO: MF2006-0340 DRAWN/RPACIFICI 2005/11/29 CHKD: 2005/11/29 APPR: JGUMIN 2005/11/29 REVISIONS A	QUALITY SYMBOLS ▽=0 ▽=0	GENERAL TOLERANCES (UNLESS SPECIFIED) mm INCH 4 PLACES ± --- ± --- 3 PLACES ± --- ± --- 2 PLACES ± --- ± --- 1 PLACE ± --- ± --- ANGULAR ±1/2°		DIMENSION STYLE IN/MM	SCALE 3:1	DESIGN UNITS INCH	THIRD ANGLE PROJECTION
		DRAWN BY RPACIFICI		DATE 2005/10/20	TITLE MT-RJ CONNECTOR (90D BOOT)		
		APPROVED BY DATE		MOLEX INCORPORATED			
		MATERIAL NO. SEE TABLE		DOCUMENT NO. SD-10600X-X4X0		SHEET NO. 1 OF 01	
DRAFT WHERE APPLICABLE MUST REMAIN WITHIN DIMENSIONS							
THIS DRAWING CONTAINS INFORMATION THAT IS PROPRIETARY TO MOLEX INCORPORATED AND SHOULD NOT BE USED WITHOUT WRITTEN PERMISSION							

Mouser Electronics

Authorized Distributor

Click to View Pricing, Inventory, Delivery & Lifecycle Information:

[Molex:](#)

[106002-3400](#) [106002-5400](#) [106003-3400](#) [106003-5400](#)