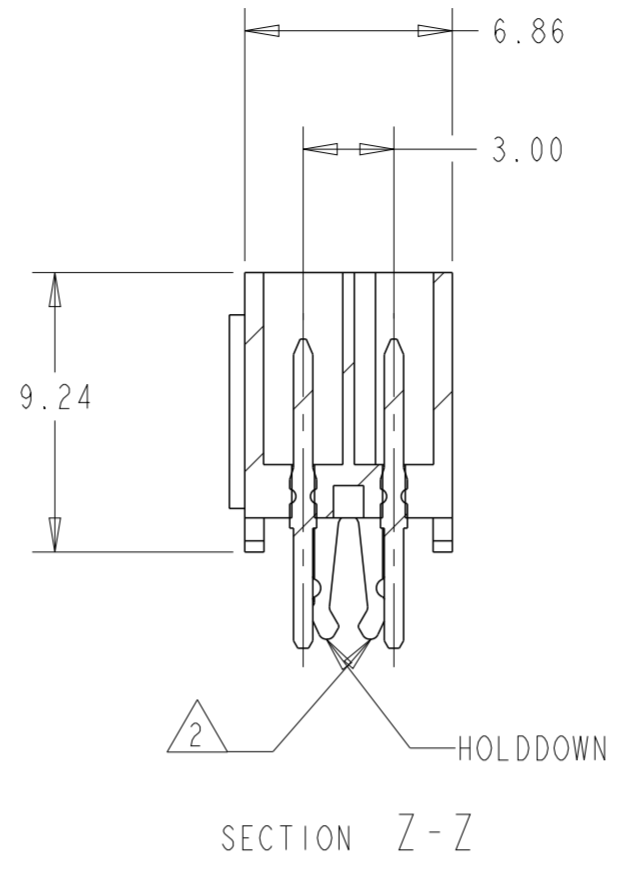
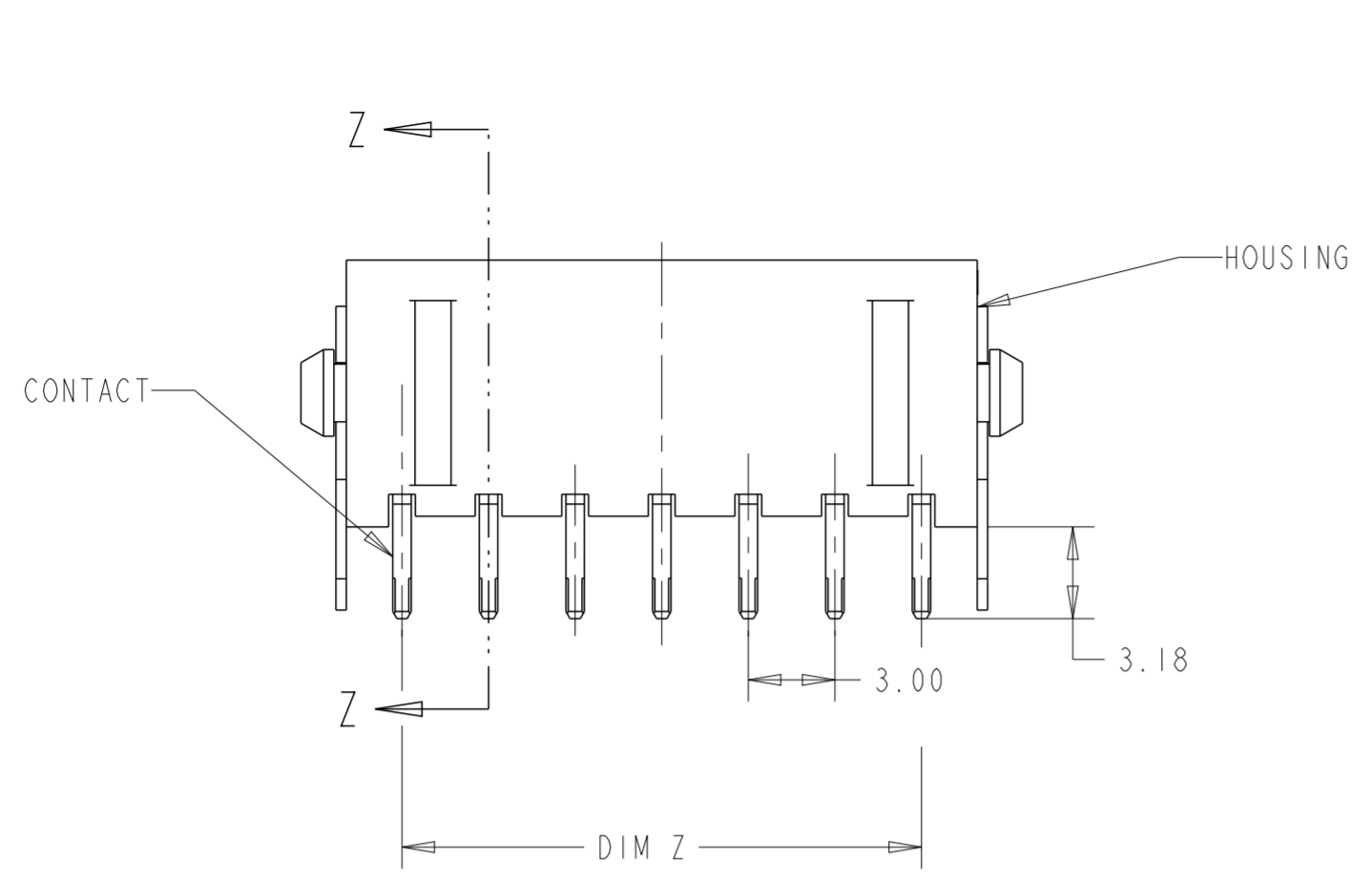
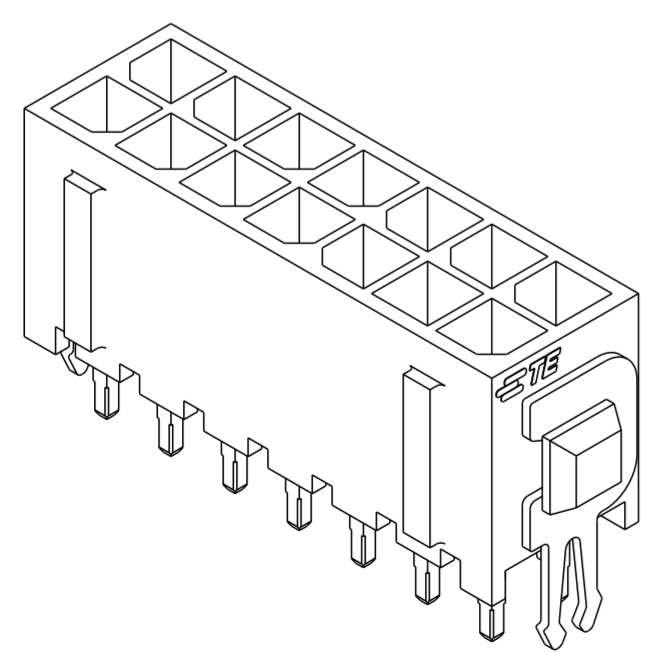
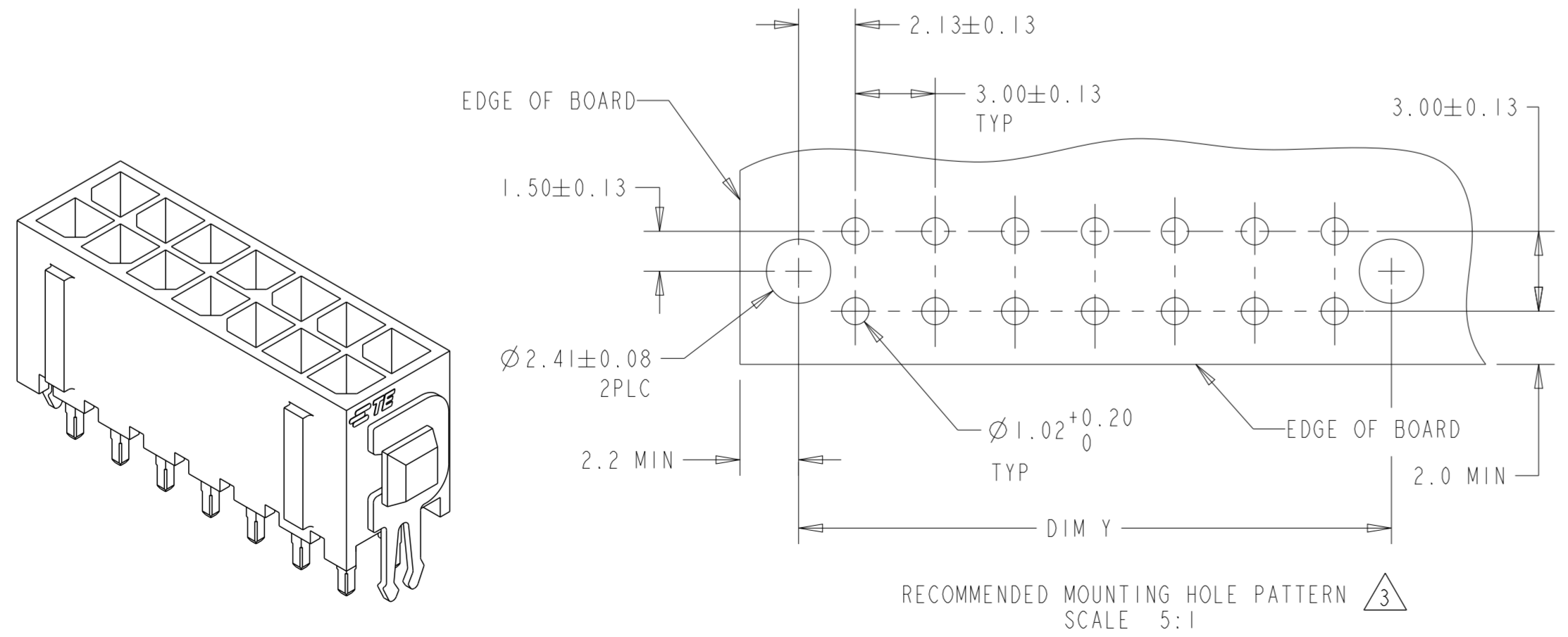
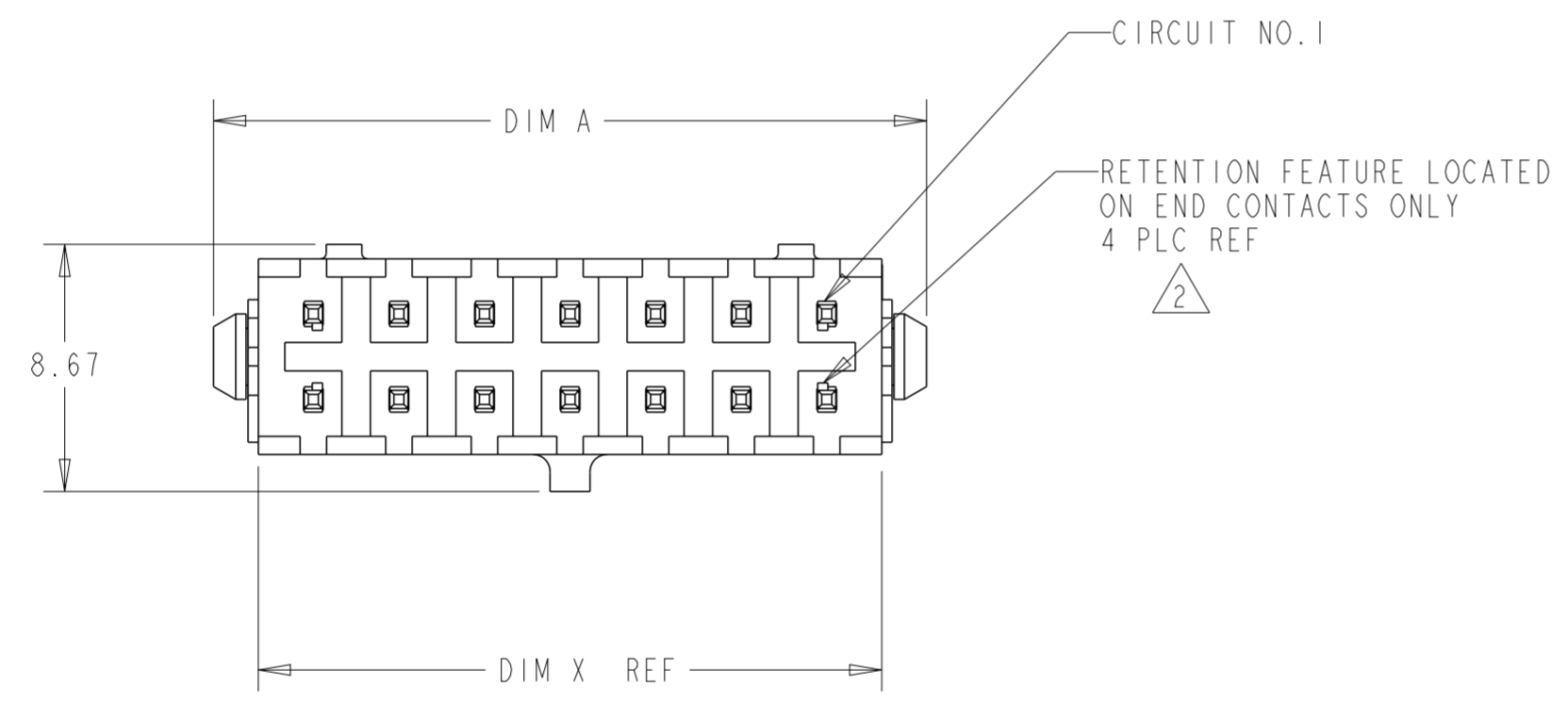


THIS DRAWING IS UNPUBLISHED. RELEASED FOR PUBLICATION 20
 © COPYRIGHT 20 BY - ALL RIGHTS RESERVED.

REVISIONS					
P	LTR	DESCRIPTION	DATE	DWN	APVD
	FI	REVISED PER ECR-16-011494	21JUN2017	NK	CX



- 1 MATERIAL: HOUSING - HIGH TEMP. NYLON, UL 94V-0, BLACK.
CONTACT - BRASS.
HOLD DOWNS- PHOSPHOR BRONZE.
- 2 MAXIMUM INSERTION 30 LBS.
- 3 RECOMMENDED BOARD THICKNESS 1.57.
- 4 FINISH: CONTACT-2.54µm MINIMUM TIN-LEAD OVER
1.27µm MINIMUM NICKEL.
HOLD DOWNS-2.54µm TIN-LEAD
- 5 FINISH: CONTACT - 2.54µm MINIMUM MATTE TIN
OVER 1.27µm MINIMUM NICKEL.
HOLD DOWNS- 2.54µm MATTE TIN



3 DIMENSIONAL MODEL

RECOMMENDED MOUNTING HOLE PATTERN
SCALE 5:1

5	40.00	33.00	37.30	36.86	24	5-794680-4
	37.00	30.00	34.30	33.86	22	5-794680-2
	34.00	27.00	31.30	30.86	20	5-794680-0
	31.00	24.00	28.30	27.86	18	4-794680-8
	28.00	21.00	25.30	24.86	16	4-794680-6
	25.00	18.00	22.30	21.86	14	4-794680-4
	22.00	15.00	19.30	18.86	12	4-794680-2
	19.00	12.00	16.30	15.86	10	4-794680-0
	16.00	9.00	13.30	12.86	8	3-794680-8
	13.00	6.00	10.30	9.86	6	3-794680-6
10.00	3.00	7.30	6.86	4	3-794680-4	
7.00	-	4.30	3.86	2	3-794680-2	
4	40.00	33.00	37.30	36.86	24	2-794680-4
	37.00	30.00	34.30	33.86	22	2-794680-2
	34.00	27.00	31.30	30.86	20	2-794680-0
	31.00	24.00	28.30	27.86	18	+794680-8
	28.00	21.00	25.30	24.86	16	+794680-6
	25.00	18.00	22.30	21.86	14	+794680-4
	22.00	15.00	19.30	18.86	12	+794680-2
	19.00	12.00	16.30	15.86	10	+794680-0
	16.00	9.00	13.30	12.86	8	-794680-8
	13.00	6.00	10.30	9.86	6	-794680-6
10.00	3.00	7.30	6.86	4	-794680-4	
7.00	-	4.30	3.86	2	-794680-2	
FINISH	DIM A	DIM Z	DIM Y	DIM X	NO. OF POSN.	ASSEMBLY

THIS DRAWING IS A CONTROLLED DOCUMENT.

DWN: S. HOOVER 23-MAR-2005
 CHK: C. JONES 23-MAR-2005
 APVD: C. JONES 23-MAR-2005

STE TE Connectivity

NAME: VERTICAL HEADER ASSEMBLY, THRU HOLE, TIN, DUAL ROW, MICRO MATE-N-LOK(TM)

SIZE: A2 CAGE CODE: 00779 DRAWING NO: C-794680

MATERIAL: SEE TABLE

SCALE: 4:1 SHEET: 1 OF 1 REV: FI

Mouser Electronics

Authorized Distributor

Click to View Pricing, Inventory, Delivery & Lifecycle Information:

[TE Connectivity:](#)

[3-794680-8](#)