

**PLEASE CHECK WWW.MOLEX.COM FOR LATEST PART INFORMATION**

**Part Number:** [5016464000](#)  
**Status:** **Active**  
**Overview:** iGrid Wire-to-Board Dual-Row System  
**Description:** 2.00mm Pitch iGrid Wire-to-Board Housing, Dual Row, Positive Lock, 40 Circuits

**Documents:**

<a href="#">3D Model</a>	<a href="#">Application Specification 5016460000-A01 (PDF)</a>
<a href="#">Drawing (PDF)</a>	<a href="#">Packaging Specification 5016469200-200 (PDF)</a>
<a href="#">Product Specification PS-501646-001-001 (PDF)</a>	<a href="#">RoHS Certificate of Compliance (PDF)</a>
<a href="#">Application Specification 5016460000-A00 (PDF)</a>	

**Agency Certification**

UL E29179

**General**

Product Family	Crimp Housings
Series	<a href="#">501646</a>
Application	Signal, Wire-to-Board
Overview	<a href="#">iGrid Wire-to-Board Dual-Row System</a>
Product Name	iGrid
UPC	822350087285

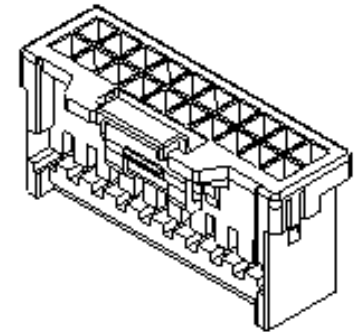
**Physical**

Circuits (maximum)	40
Color - Resin	Natural
Flammability	94V-0
Gender	Receptacle
Glow-Wire Capable	No
Lock to Mating Part	Yes
Material - Resin	Nylon
Net Weight	1110.000/mg
Number of Rows	2
Packaging Type	Bag
Panel Mount	No
Pitch - Mating Interface	2.00mm
Polarized to Mating Part	Yes
Stackable	No
Temperature Range - Operating	-40°C to +105°C

**Material Info**

**Reference - Drawing Numbers**

Application Specification	5016460000-A00, 5016460000-A01
Packaging Specification	5016469200-200
Product Specification	PS-501646-001-001
Sales Drawing	SD-501646-001



*Series image - Reference only*

**EU ELV**

**Not Relevant**

**EU RoHS**

**Compliant**

**REACH SVHC**

Not Contained Per  
-ED/01/2018 (15  
January 2018)

**Halogen-Free**

**Status**

**Low-Halogen**

**Need more information on product environmental compliance?**

Email [productcompliance@molex.com](mailto:productcompliance@molex.com)  
Please visit the [Contact Us](#) section for any non-product compliance questions.

China ROHS	Green Image
ELV	Not Relevant
RoHS Phthalates	Not Contained

**Search Parts in this Series**

[501646](#) Series

**Mates With**

[501645](#) Vertical Header . [501876](#) Right Angle Header

**Use With**

[501647](#) 22-26 AWG Terminal . [501648](#) 26-28 AWG Terminal

# Mouser Electronics

Authorized Distributor

Click to View Pricing, Inventory, Delivery & Lifecycle Information:

[Molex:](#)

[501646-4000](#)