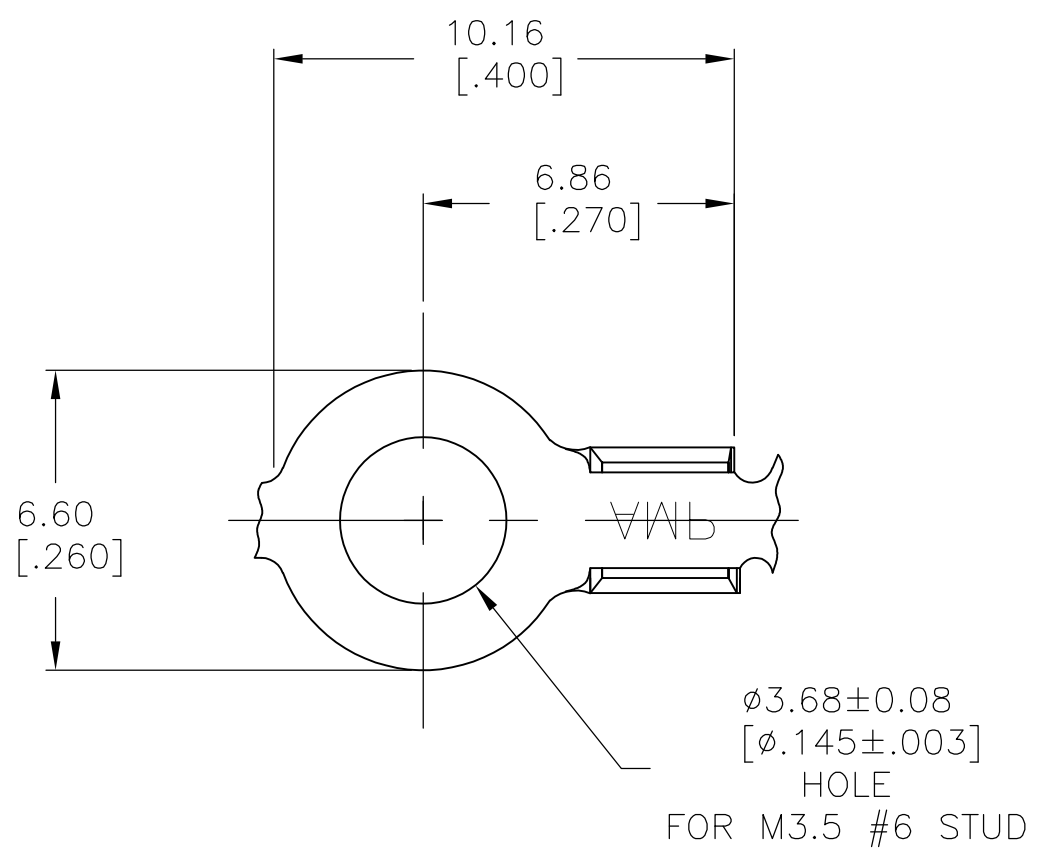
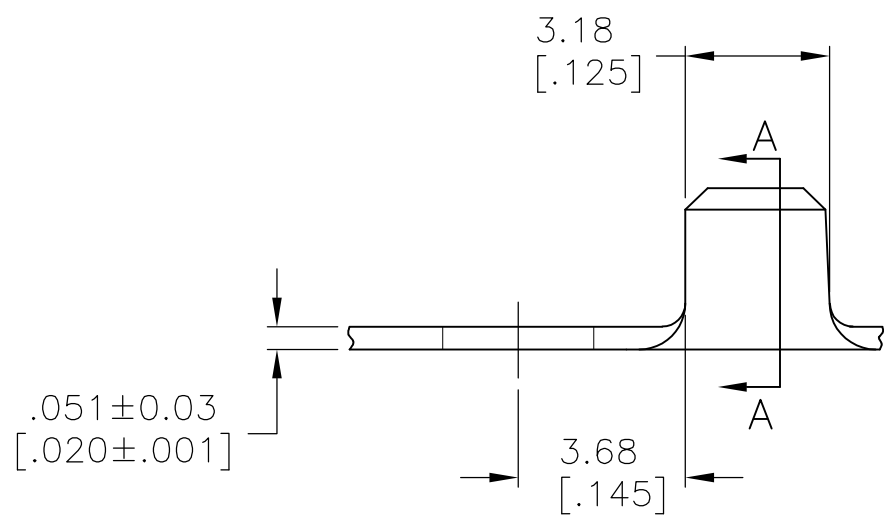
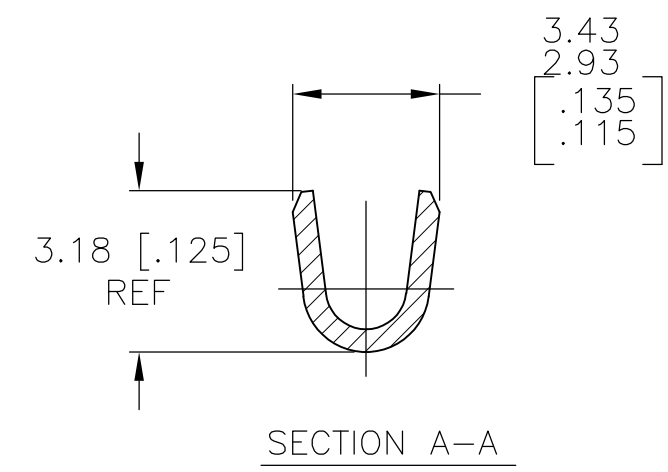


THIS DRAWING IS UNPUBLISHED. RELEASED FOR PUBLICATION
 © COPYRIGHT - By - ALL RIGHTS RESERVED.

REVISIONS				
P	LTR	DESCRIPTION	DATE	APVD
	D2	REVISED PER ECR-16-016667	28NOV2016	JJ TD



1 CONTINUOUS STRIP ON REELS
 2 PRELIMINARY-NOT FOR PRODUCTION.



STAINLESS STEEL	0.5-1.4mm ² [#20-#16]	40811-2
T3 STEEL	0.5-1.4mm ² [#20-#16]	40811-1
BRASS	0.5-1.4mm ² [#20-#16]	40811
MATERIAL	WIRE RANGE	PART NO

THIS DRAWING IS A CONTROLLED DOCUMENT.		DWN RAGHAVENDRA 23FEB09	TE Connectivity				
DIMENSIONS: mm [INCHES]		CHK JEFF RUTH 23FEB09					
TOLERANCES UNLESS OTHERWISE SPECIFIED:		APVD DON DECKER 23FEB09	NAME				
0 PLC ± - 1 PLC ± - 2 PLC ± - 3 PLC ± 0.38 [.015] 4 PLC ± - ANGLES ± -		PRODUCT SPEC	RING				
MATERIAL SEE TABLE		FINISH TIN	APPLICATION SPEC	SIZE	CAGE CODE	DRAWING NO	RESTRICTED TO
			WEIGHT 0.000000	A3	00779	C-40811	-
CUSTOMER DRAWING			SCALE 6:1	SHEET 1 OF 1	REV D2		

Mouser Electronics

Authorized Distributor

Click to View Pricing, Inventory, Delivery & Lifecycle Information:

[TE Connectivity:](#)

[40811](#)