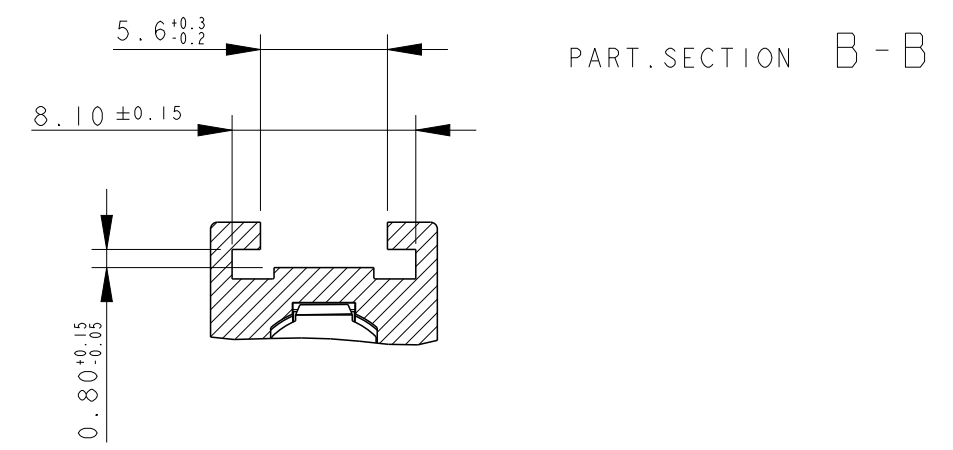
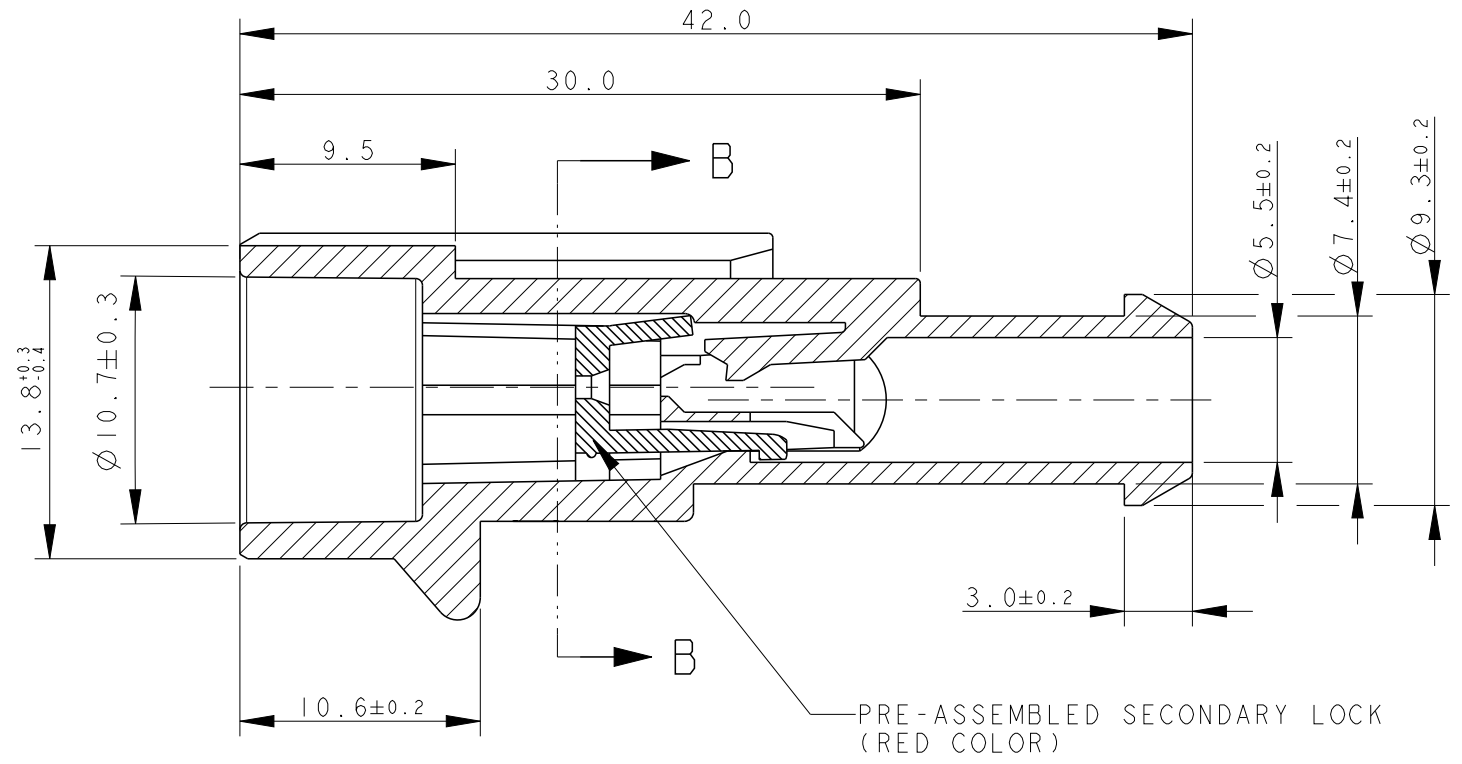
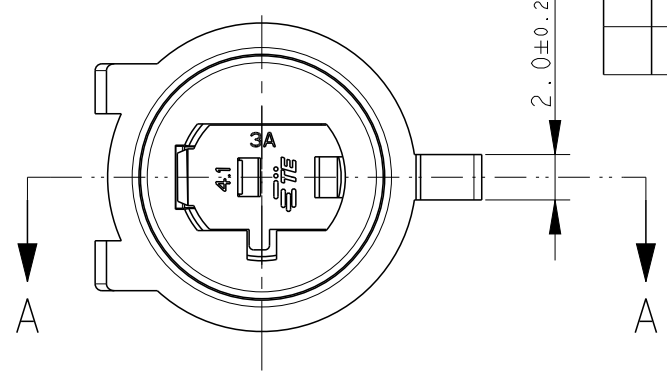
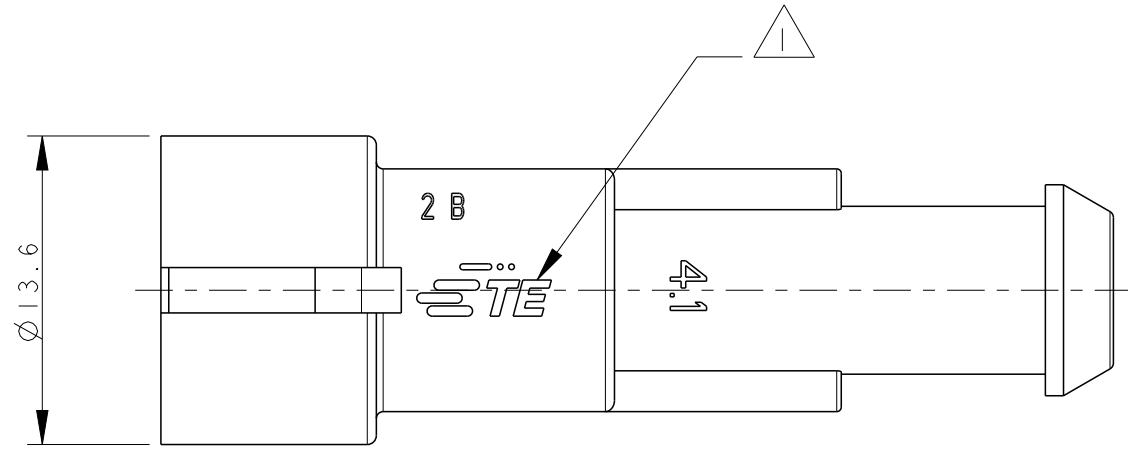


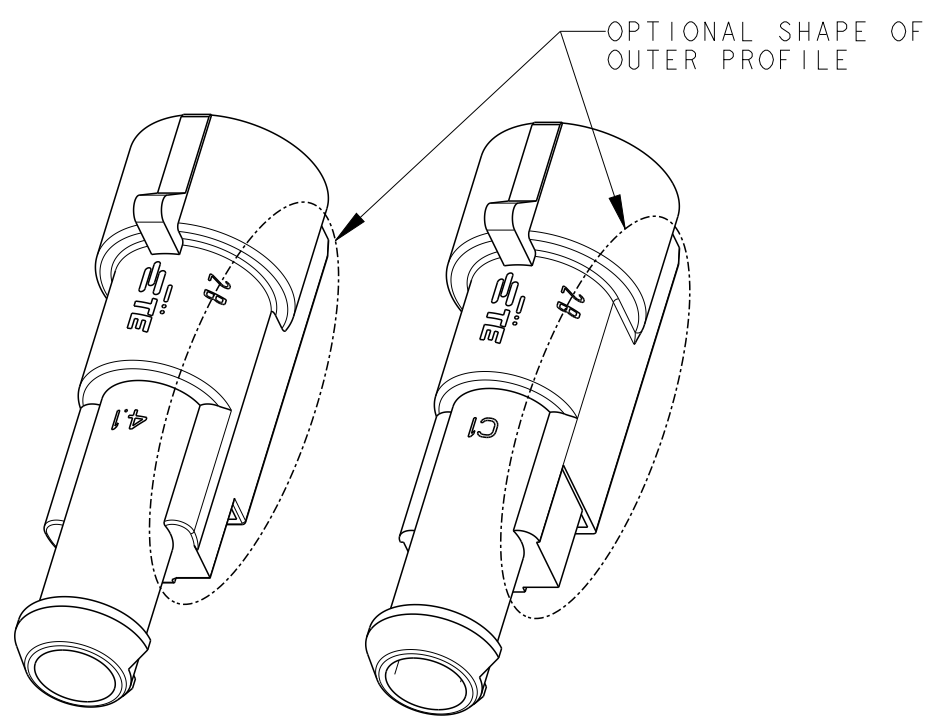
THIS DRAWING IS UNPUBLISHED. RELEASED FOR PUBLICATION 2009
© COPYRIGHT 2009 BY - ALL RIGHTS RESERVED.

REVISIONS

P	LTR	DESCRIPTION	DATE	DWN	APVD
B1		REVISED (ECO-17-009774)	06SEP2017	M.G.	M.G.
B2		REVISED PER ECO-18-003893	05MAR2018	AP	VN



1 TE CONNECTIVITY TRADE MARK, (IN ALTERNATIVE: "AMP" LOGO, OR "Tyco Electronics" LOGO)



GRAY	PA66-GF	B	282103-2
BLACK	PA66-GF	B	282103-1
FINISH/COLOR	MATERIAL	REV	PART NUMBER

THIS DRAWING IS A CONTROLLED DOCUMENT.		DWN	C. BERTINI	02-1990
DIMENSIONS:		CHK	A. BRUNI	02-1990
mm		APVD	-	-
TOLERANCES UNLESS OTHERWISE SPECIFIED:		PRODUCT SPEC	108-20090	
0 PLC	±	APPLICATION SPEC	412-20000	
1 PLC	± 0.3	WEIGHT	2.83g	
2 PLC	±			
3 PLC	±			
4 PLC	±			
ANGLES	± 2°			
MATERIAL	SEE TABLE			
FINISH	SEE TABLE			

STE TE Connectivity			
NAME AMP SUPERSEAL I.5 SRS. 1 POSITION TAB ASS'Y			
SIZE	CAGE CODE	DRAWING NO	RESTRICTED TO
A3	00779	C-282103	-
Customer Drawing	SCALE	SHEET	REV
	3:1	1 OF 1	B2

Mouser Electronics

Authorized Distributor

Click to View Pricing, Inventory, Delivery & Lifecycle Information:

[TE Connectivity:](#)

[282103-1](#)