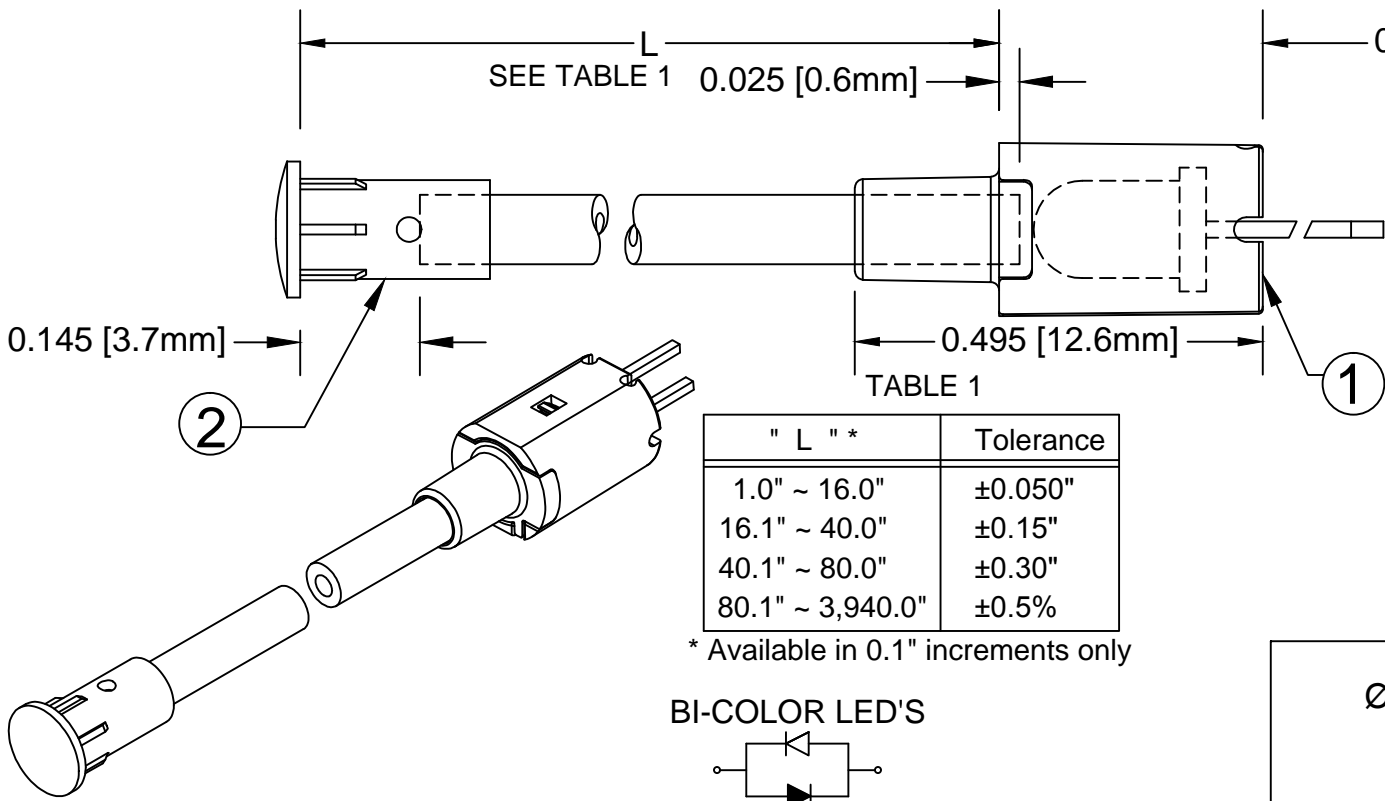


ITEM	Q'TY	PART NUMBER	PART DESCRIPTION
1	1	FLPV-XX	Flexible Light Pipe Adapter, Vertical, w/LED, See page 2 & 3.
2	1	LC-XX.X	Flexible Light Pipe Lens Cap Assembly

REV.	DESCRIPTION	DATE	APPROVED
G	Updated FLPC Hidden View	08/27/08	M. C.
H	Updated White Assy P/N	12/03/10	T. Y.
J	Updated Table For Length "L"	11/14/12	T. Y.
K	Replace 3UWC-0.6K-F With 3UWC1.035C-F	04/08/13	T. Y.
L	Updated LED Optical Characteristics	09/15/15	J. C.
M	Updated LED Tables	08/15/18	M. C.
N	Updated LED Tables	11/13/18	M. C.

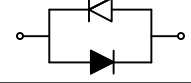
NOTE: FLPV-XX ADAPTER SHIPPED NON-ASSEMBLED



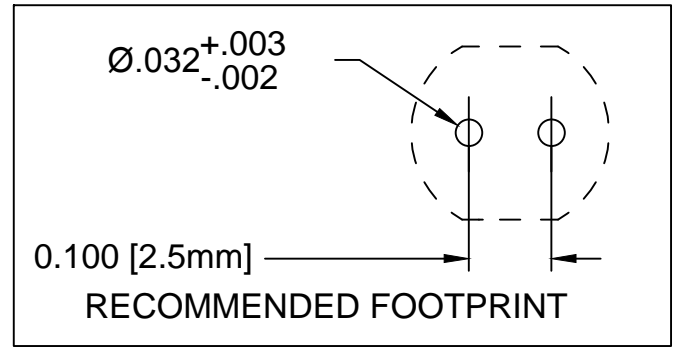
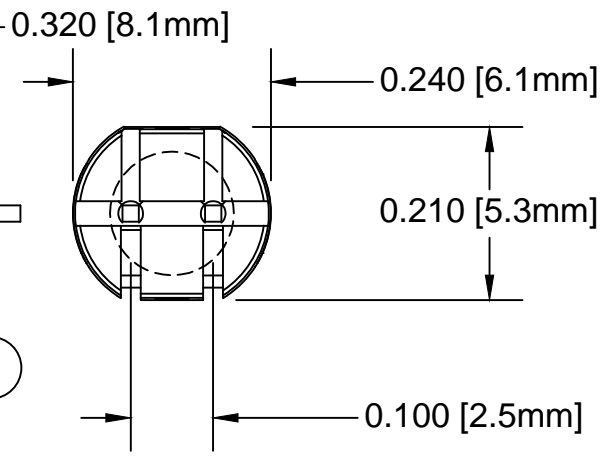
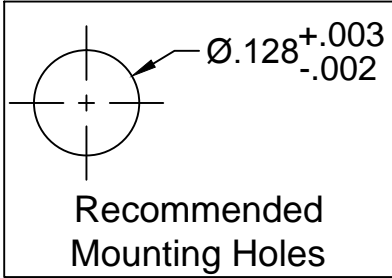
" L " *	Tolerance
1.0" ~ 16.0"	±0.050"
16.1" ~ 40.0"	±0.15"
40.1" ~ 80.0"	±0.30"
80.1" ~ 3,940.0"	±0.5%

\* Available in 0.1" increments only

BI-COLOR LED'S



SHORT LEAD CATHODE	LED PART NO.	LONG LEAD CATHODE
RED	3xBCC-F	GREEN
YELLOW	3BC-Y/G-F	GREEN



### ABSOLUTE MAXIMUM RATINGS (Ta=25°C)

REVERSE VOLTAGE	5V
REVERSE CURRENT	100uA
OPERATING TEMPERATURE RANGE	-25° C - 85° C
STORAGE TEMPERATURE	-30° C - 100° C
LEAD SOLDERING TEMPERATURE(1/16" FROM BODY)	260° C FOR 5 SECONDS

STANDARD TOLERANCE (UNLESS OTHERWISE SPECIFIED)		 4 THOMAS, IRVINE, CA. 92618 TEL: (949) 951-8808 FAX: (949) 951-3974			
DECIMALS	ANGULAR				
.X ±.1	X° ±1°	TITLE: FLEXIBLE LIGHT-PIPE ASSY VERTICAL, 3mm LENS CAP W/LED			
.XX ±.02					
.XXX ±.010		DESIGNED: D. GREEN	DATE: 06/09/03	PART NO: FLPVX.X-XX	REVISION: N
		REVISED: K. BARON	DATE: 11/13/18	CAGE CODE: 32559	
		CHECKED: TD. NGUYEN	DATE: 11/13/18	SCALE: NONE	SHEET # 1 OF 3
CAD GENERATED DOCUMENT, DO NOT MEASURE DRAWING					

FLEXIBLE LP ASSY Part No.	ADAPTER Part No.	LED Part No.	Peak Wave Length	Emitted Color	Electro-Optical Data @ 20mA		
			$\lambda_p$ (nm)		Vf (V)		Iv (mcd)
					TYP	MAX	TYP
FLPVX.X-SG	FLPV-SG	3SGC-F	568	SUPER GREEN	2.1	2.8	50
FLPVX.X-SY	FLPV-SY	3SYC-F	590	SUPER YELLOW	2.0	2.8	50
FLPVX.X-SR	FLPV-SR	3SRC-F	645	SUPER RED	1.7	2.4	60
FLPVX.X-UBW.6K	FLPV-UBW.6K	3UBWC-0.6K-F	470	BLUE	4.0	4.5	400
FLPVX.X-UT	FLPV-UT	3UTC-F	500	TURQUOISE	3.5	4.0	800
FLPVX.X-UG	FLPV-UG	3UGC-F	570	GREEN	2.1	2.4	200
FLPVX.X-SUG	FLPV-SUG	3SUGC-F	570	GREEN	2.1	2.4	300
FLPVX.X-UY	FLPV-UY	3UYC-F	590	YELLOW	2.0	2.4	300
FLPVX.X-UR	FLPV-UR	3URC-F	645	RED	1.7	2.4	200
FLPVX.X-SUR	FLPV-SUR	3SURC-F	640	RED	1.8	2.4	200
FLPVX.X-UW.6K	FLPV-UW.6K	3UWC1.035C-F	-	WHITE	3.2	3.6	6000

VISIT [WWW.BIVAR.COM](http://WWW.BIVAR.COM) FOR CURRENT LED DATASHEETS  
LED DETAILS ON DATASHEETS TAKE PRECEDENCE OVER DETAILS SHOWN HERE

FLEXIBLE LIGHT PIPE SERIES — FLPVX.X — XXX

Emitted Colors  
"L" LENGTH, inches  
available in 0.1" increments only  
e.g. 6.0, 11.5

FLEXIBLE LP ASSY Part No.	Adapter Part No.	LED Part No.	Peak Wave Length $\lambda_p$ (nm)	Emitted Color	Electro-Optical Data @ 20mA		
					Vf (V)		Iv (mcd)
					TYP	MAX	TYP
FLPVX.X-BC	FLPV-BC	3BCC-F	625	HE RED	2.0	2.8	8
			568	GREEN	2.1	2.8	8
FLPVX.X-SBC	FLPV-SBC	3SBCC-F	645	SUPER RED	1.7	2.4	100
			568	HE GREEN	2.1	2.8	60

VISIT [WWW.BIVAR.COM](http://WWW.BIVAR.COM) FOR CURRENT LED DATASHEETS  
LED DETAILS ON DATASHEETS TAKE PRECEDENCE OVER DETAILS SHOWN HERE

FLEXIBLE LIGHT  
PIPE SERIES

FLPVX.X - XXX

Emitted Colors

"L" LENGTH, inches  
available in 0.1" increments only  
e.g. 6.0, 11.5

<b>BIVAR</b> <sup>®</sup>	
PART NO: FLPVX.X-XX	REVISION: N
SCALE: NONE	SHEET # 3 OF 3
CAD GENERATED DOCUMENT, DO NOT MEASURE DRAWING	

# Mouser Electronics

Authorized Distributor

Click to View Pricing, Inventory, Delivery & Lifecycle Information:

## BIVAR:

[FLPV1.0-SBC](#) [FLPV1.5-BC-Y/G](#) [FLPV1.5-SBC-Y/G](#) [FLPV1.5-SR](#) [FLPV10.0-G](#) [FLPV10.0-SG](#) [FLPV10.0-SR](#)  
[FLPV12.0-BC](#) [FLPV12.0-SA](#) [FLPV12.0-SBC](#) [FLPV12.0-SBC-YG](#) [FLPV12.0-SG](#) [FLPV12.0-SR](#) [FLPV12.0-SY](#)  
[FLPV12.0-UBW.6K](#) [FLPV12.0-UG](#) [FLPV12.0-UR](#) [FLPV12.0-UT](#) [FLPV12.0-UW0.6K](#) [FLPV12.0-UY](#) [FLPV14.0-G](#)  
[FLPV14.0-SG](#) [FLPV14.0-SR](#) [FLPV14.0-SY](#) [FLPV14.5-UR](#) [FLPV15.0-SG](#) [FLPV15.0-SR](#) [FLPV15.0-SY](#) [FLPV15.0-](#)  
[UG](#) [FLPV16.0-SR](#) [FLPV18.0-SG](#) [FLPV18.0-SR](#) [FLPV18.0-UT](#) [FLPV19.5-SG](#) [FLPV19.5-SR](#) [FLPV19.5-SY](#)  
[FLPV2.0-G](#) [FLPV2.0-Y](#) [FLPV2.1-SG](#) [FLPV2.5-SA](#) [FLPV2.5-SG](#) [FLPV2.5-SR](#) [FLPV2.5-SY](#) [FLPV2.5-UBW0.6K](#)  
[FLPV20.0-SR](#) [FLPV20.0-SY](#) [FLPV24.0-BC](#) [FLPV24.0-BC-R/Y](#) [FLPV24.0-H](#) [FLPV24.0-SBC](#) [FLPV24.0-SG](#)  
[FLPV24.0-SR](#) [FLPV24.0-SUR](#) [FLPV24.0-SY](#) [FLPV24.0UBW0.6K](#) [FLPV3.0-BC](#) [FLPV3.0-BC-Y/G](#) [FLPV3.0-SA](#)  
[FLPV3.0-SBC](#) [FLPV3.0-SBC-Y/G](#) [FLPV3.0-SG](#) [FLPV3.0-SR](#) [FLPV3.0-SY](#) [FLPV3.0-UBW0.6K](#) [FLPV3.0-UG](#)  
[FLPV3.0-UR](#) [FLPV3.0-UW0.6K](#) [FLPV3.25-SG](#) [FLPV3.25-UG](#) [FLPV30.0-SBC-YG](#) [FLPV36.0-BC](#) [FLPV36.0-SY](#)  
[FLPV36.0-UT](#) [FLPV36.0-UW0.6K](#) [FLPV4.0-SA](#) [FLPV4.0-SBC](#) [FLPV4.0-SG](#) [FLPV4.0-SR](#) [FLPV4.0-SUG](#) [FLPV4.0-](#)  
[SUR](#) [FLPV4.0-SY](#) [FLPV4.0-UG](#) [FLPV4.5-G](#) [FLPV4.75-SY](#) [FLPV40.0-SUR](#) [FLPV48.0-H](#) [FLPV48.0-SG](#) [FLPV48.0-](#)  
[SR](#) [FLPV48.0-SUR](#) [FLPV48.0-SY](#) [FLPV5.0-BC](#) [FLPV5.0-H](#) [FLPV5.0-SA](#) [FLPV5.0-SBC-Y/G](#) [FLPV5.0-SG](#)  
[FLPV5.0-SR](#) [FLPV5.0-SY](#) [FLPV5.0-UG](#) [FLPV5.0-UW0.6K](#) [FLPV5.5-H](#)