

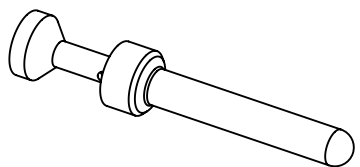
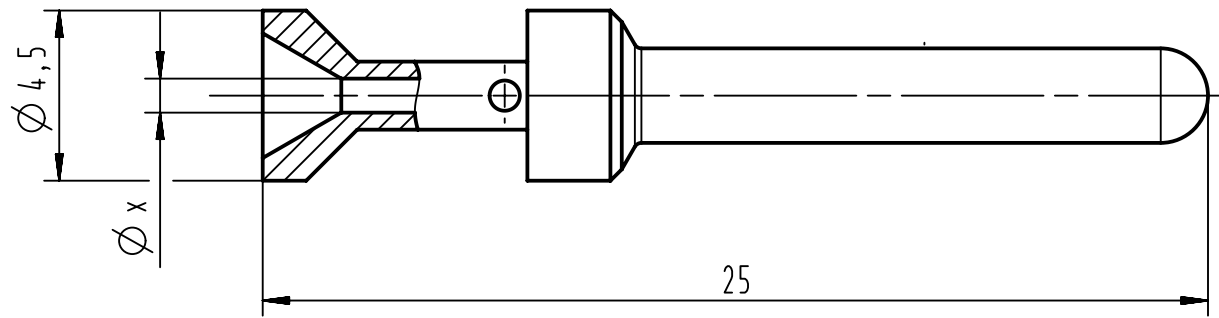
1 2 3 4 5 6

A


B

C

D



Part No.	Ø x	wire gauge [mm ²]	AWG	stripping length
09 33 200 6117	0,90	0,14-0,37	26-22	7.5
09 33 200 6122	1,15	0,5	20	
09 33 200 6115	1,30	0,75	18	
09 33 200 6118	1,45	1	18	
09 33 200 6116	1,75	1,5	16	
09 33 200 6123	2,25	2,5	14	
09 33 200 6119	2,85	4	12	

	All Dimensions in mm Original Size DIN A4	Scale 5:1	Free size tol.		Ref.	
	All rights reserved Department EL PD - DE	Created by SCHULZI	Inspected by RIEPE	Standardisation SCHMIDTM	Date 2013-01-30	State Final Release
HARTING Electric GmbH & Co. KG D-32339 Espelkamp		Title Han E HMC male contact			Doc-Key / ECM-Nr. 100521786/UGD/001/A	
		Type TB	Number 09 33 200 61XX		Rev. A	Page 1/1

Mouser Electronics

Authorized Distributor

Click to View Pricing, Inventory, Delivery & Lifecycle Information:

[HARTING:](#)

[09332006115](#) [09332006118](#) [09332006117](#) [09332006119](#) [09332006122](#) [09332006123](#) [09332006116](#)