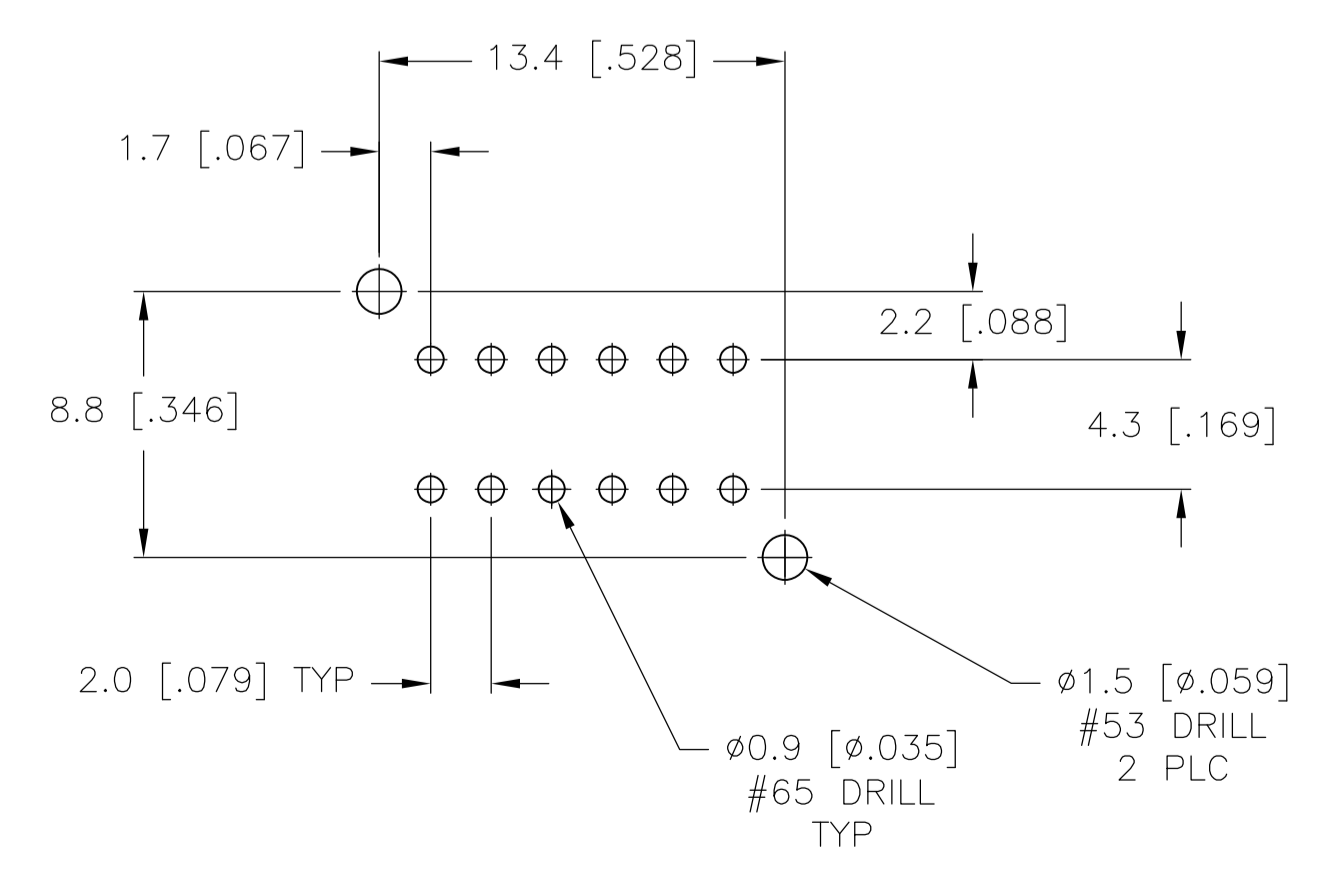
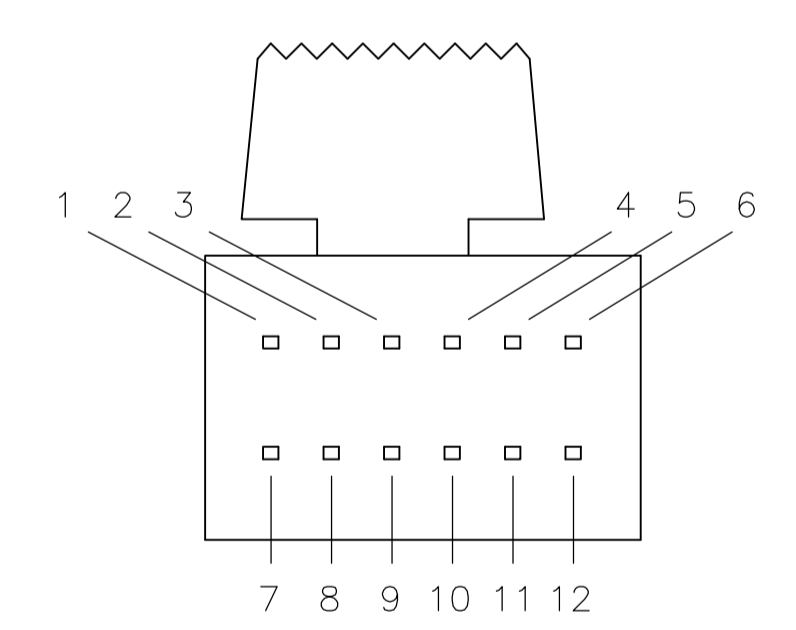
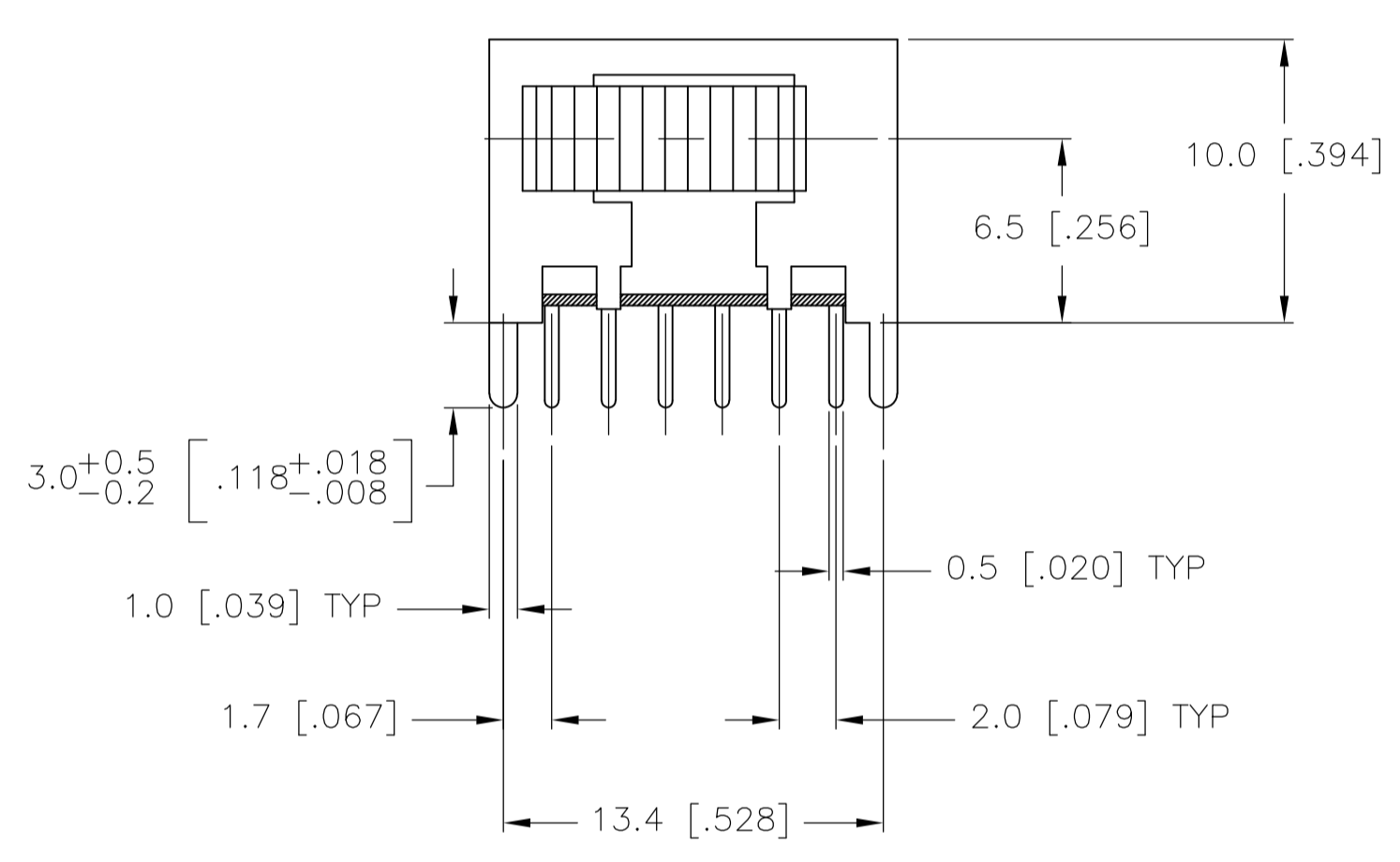
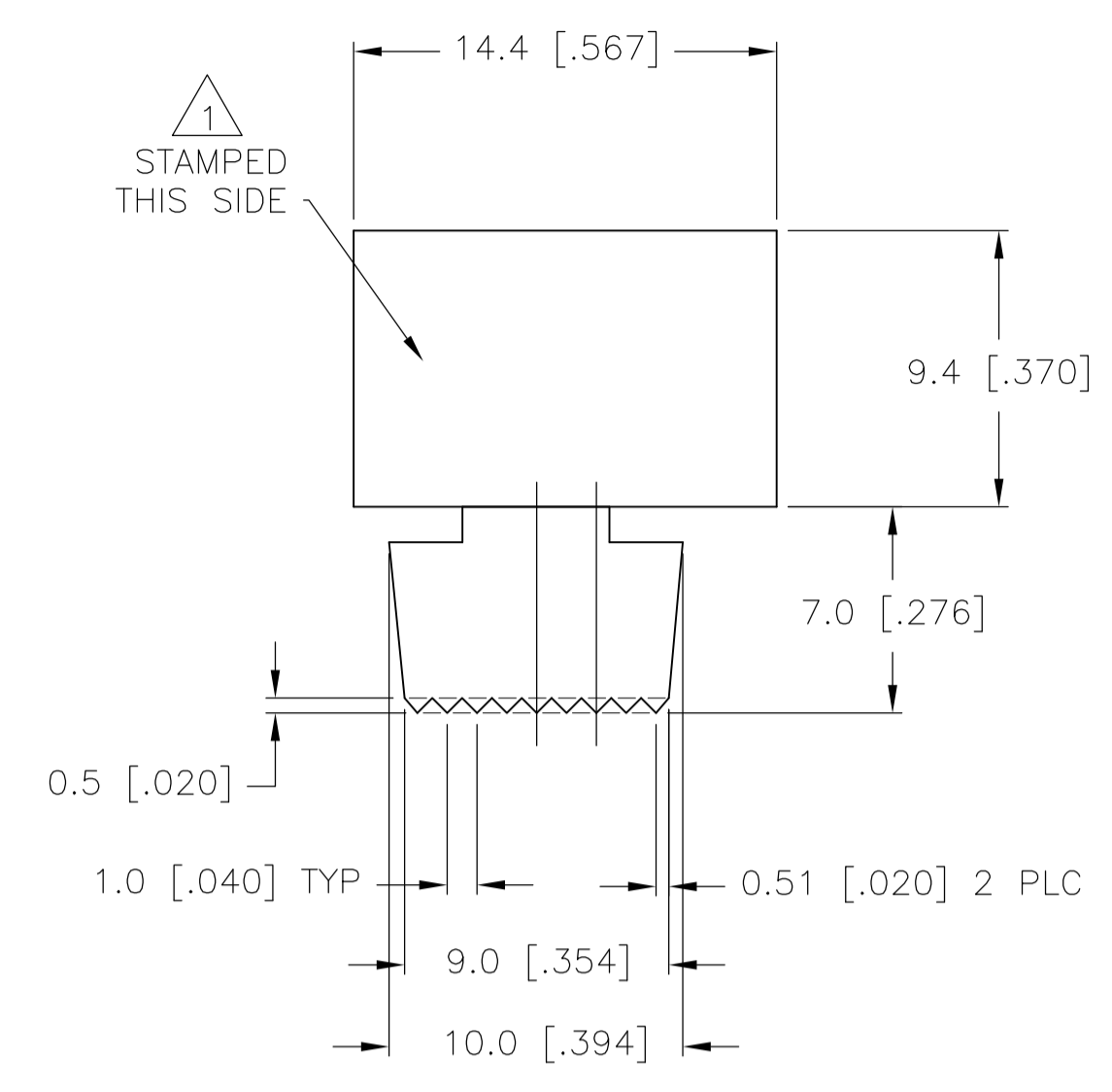
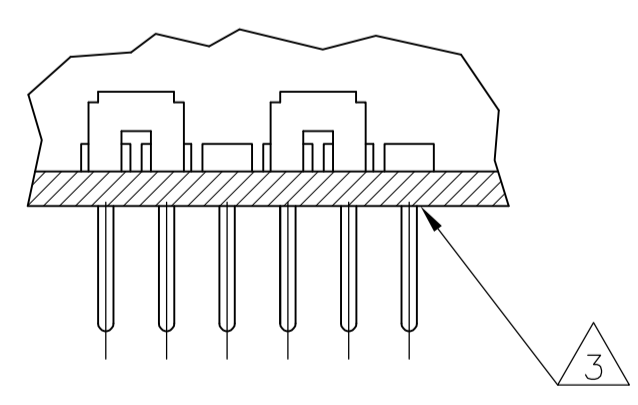
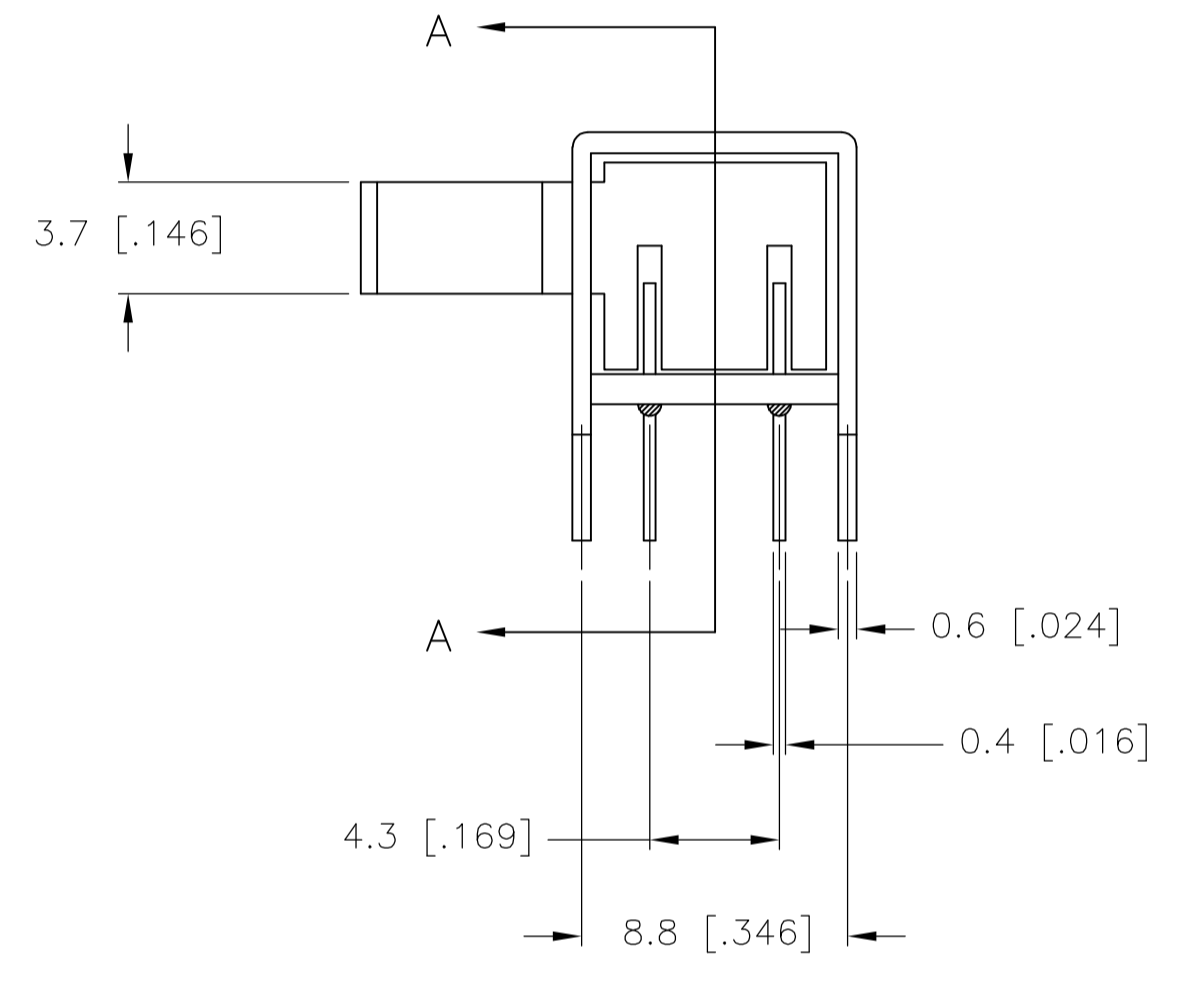


LOC		DIST		REVISIONS			
AD	00	REV	DATE	BY	CHK	APP'D	
A3	REVISED PER ECO-11-010839		25MAY11	RK	HMR		



RECOMMENDED BOARD LAYOUT



SECTION A-A

SPECIFICATIONS
MAKE-BEFORE-BREAK

MATERIALS:
 ACTUATOR- POM, UL94HB BLACK
 TERMINAL BOARD- PHENOLIC LAMINATED SHEET, UL94HB, NATURAL
 FRAME- STEEL, NICKEL PLATE
 TERMINAL/FIXED CONTACT- COPPER ALLOY, GOLD OR SILVER OVER NICKEL PLATE
 MOVING CONTACT- COPPER ALLOY, GOLD OR SILVER OVER NICKEL PLATE
 DETENT BALL- STEEL
 COIL SPRING- GALVANIZED SPRING WIRE
 SEAL- EPOXY

ELECTRICAL:
 CONTACT RATING- .4VA@20VDC OR PEAK AC (GOLD); 300mA@125V AC (SILVER)
 INITIAL CONTACT RESISTANCE- 30 milliohm max.
 FINAL CONTACT RESISTANCE- 100 milliohm max. (AFTER TEST)
 INSULATION RESISTANCE- 1,000 Megohms min.
 DIELECTRIC STRENGTH- 500V RMS@SEA LEVEL
 LIFE EXPECTANCY- 15,000 CYCLES MIN.

MECHANICAL:
 ACTUATION FORCE- 600+/-300 GRAMS
 TRAVEL- 2.0 +/-0.50 (.079 +/-0.020)

ENVIRONMENTAL:
 OPERATING TEMPERATURE- -20 TO +85 DEGREES C
 STORAGE TEMPERATURE- -40 TO +100 DEGREES C
 RESISTANCE TO SOLDER HEAT PER 109-202, CONDITION B
 SOLDERABILITY PER EIA-364-52, CLASS 2, CATEGORY 1, 95% MIN COVERAGE

NOTES:

1. COUNTRY OF ORIGIN AND TE LOGO LOCATED APPROXIMATELY AS SHOWN
2. LL MATERIALS AND FINISHES SHALL COMPLY WITH EU DIRECTIVE 2002/95/EC OF 27JAN2003 (ROHS)
3. ANTI SOLDER WICK SEAL AT TERMINAL TO BOARD INTERFACE
4. ALL PERFORMANCE TESTING WAS DONE IN ACCORDANCE TO TE CONNECTIVITY SPECIFICATION 102-2469

PART NO.	T&B PART NO.	PLATING	TERMINALS CONNECTED WHEN SLIDE IS IN POSITION SHOWN.
1825265-2	MSS4200R04	GOLD	1 TO 2 4 TO 5 7 TO 8 10 TO 11
1825265-1	MSS4200R04	SILVER	1 TO 2 4 TO 5 7 TO 8 10 TO 11

THIS DRAWING IS A CONTROLLED DOCUMENT.

DWN	R BROWN	21DEC05
CHK	M SARVER	21DEC05
APP'D	M SARVER	21DEC05

TE Connectivity

SLIDE SWITCH, MSS 4200R SERIES

SIZE	CAGE CODE	DRAWING NO.	RESTRICTED TO
A1	00779	1825265	

CUSTOMER DRAWING SCALE 4:1 SHEET 1 OF 1 REV A3

Mouser Electronics

Authorized Distributor

Click to View Pricing, Inventory, Delivery & Lifecycle Information:

[TE Connectivity:](#)

[MSS4200RG04](#)