

Max. 206 m³/h

AC axial fans

□ 127 x 38 mm



- **Material:** Housing: Die-cast aluminum
Impeller: GRP¹⁾ (PA)
 - **Direction of air flow:** Exhaust over struts
 - **Direction of rotation:** Counterclockwise, looking towards rotor
 - **Connection:** Via 2 flat plugs 2.8 x 0.8 mm grounding lug for M4 x 6
 - **Weight:** 570 g
- **Possible special versions:**
(See page 12)
- Moisture protection

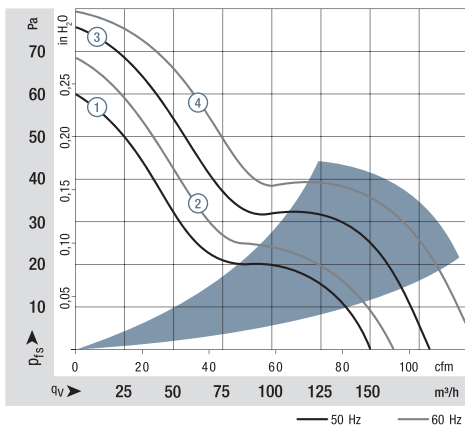
1) Fiberglass-reinforced plastic

Series 5900

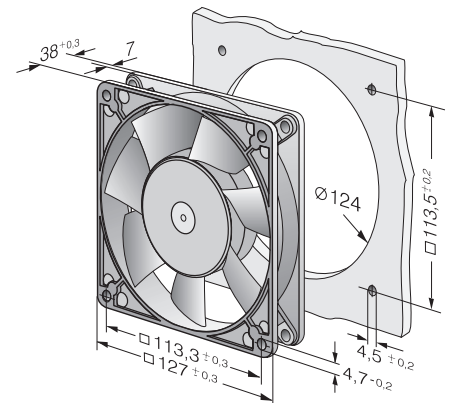
Nominal data

Type	Air flow		Nominal voltage	Frequency	Sound pressure level	Sound power level	Sinter sleeve bearings Ball bearings	Power consumption	Nominal speed	Temperature range	Service life L ₁₀		Curve
	m ³ /h	cfm									VAC	Hz	
5988	150	88.2	230	50	37	4.9	■	13.0	2 250	-30...+55	35 000 / 20 000		①
5950	180	106	230	50	43	5.4	□	18.0	2 700	-20...+50	40 000 / 32 500		③
5958	180	106	230	50	44	5.5	■	18.0	2 750	-30...+60	40 000 / 25 000		③
5938	162	95.2	115	60	40	4.9	■	12.0	2 500	-30...+55	35 000 / 20 000		②
5900	206	121	115	60	46	5.7	□	17.0	3 050	-20...+55	42 500 / 30 000		④
5908	206	121	115	60	47	5.8	■	17.0	3 100	-30...+75	42 500 / 20 000		④

Subject to change



Air performance measured according to: ISO 5801.
Installation category A, without contact protection.
Noise: Total sound power level L_{WA} ISO 103002 measured on a hemisphere with a radius of 2 m.
Sound pressure level L_{pA} measured at 1 m distance from fan axis.
The values given are applicable only under the specified measuring conditions and may differ depending on the installation conditions.
In the event of deviation from the standard configuration, the parameters must be checked after installation!
For detailed information see <http://www.ebmpapst.com/general conditions>



Mouser Electronics

Authorized Distributor

Click to View Pricing, Inventory, Delivery & Lifecycle Information:

[ebm-papst:](#)

[5908](#) [5900](#) [5900-505](#) [5908-105](#) [5938](#) [5938-118](#) [5950](#) [5950-503](#) [5950W-502](#) [5958](#) [5958-102](#) [5988](#) [5908W](#)
[5950W](#) [5930-507](#) [5900W](#)