

50597-8100	バラ状 LOOSE
50597-8000	連鎖状 CHAIN
ENG. NO.	端子形状 FORM

注記
NOTES

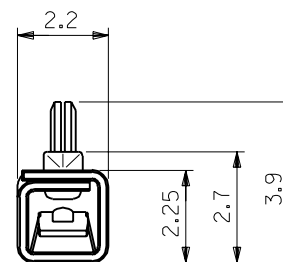
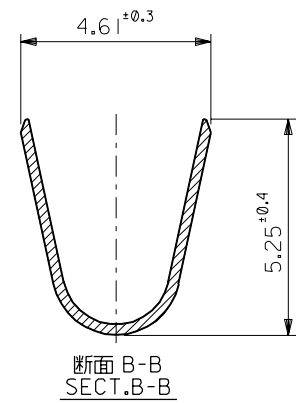
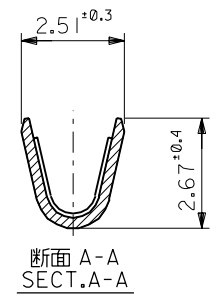
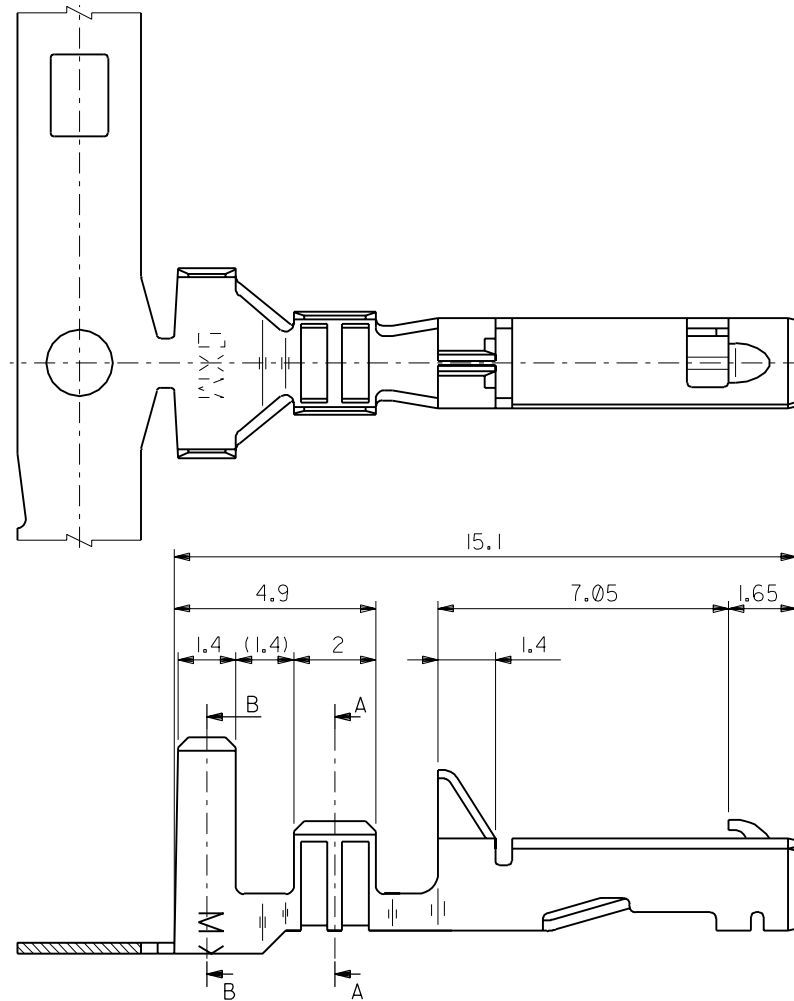
- 適合ハウジング : 51142シリーズ
APPLICABLE HOUSING : 51142 SERIES
- 材料 : 銅合金、錫めっき (t=0.25)
MATERIAL : COPPER ALLOY, TIN PLATED (t=0.25)
- 適用電線範囲 : AWG16~22
APPLICABLE WIRE RANGE : AWG16~22
適用被覆外径 : $\phi 2.0 \sim 3.3$
 $\phi 2.5\text{max}$ (リテーナー使用時)
APPLICABLE INSULATOR RANGE : $\phi 2.0 \sim 3.3$
 $\phi 2.5\text{max}$ (WITH RETAINER)

THIS DRAWING CONTAINS INFORMATION THAT IS PROPRIETARY TO MOLEX ELECTRONIC TECHNOLOGIES, LLC AND SHOULD NOT BE USED WITHOUT WRITTEN PERMISSION

REDRAWN AND REVISED EC NO: 168832 DRWN: MOYAMA CHK'D: SAKIYAMA REV APPR: TKANEKO	2017/11/20	2017/11/30	GENERAL TOLERANCES (UNLESS SPECIFIED)	DIMENSION UNITS	SCALE			
	2017/11/20	2017/11/30		mm	8:1			
	2017/11/20	2017/11/30		DRWN BY	DATE		MOYAMA	2017/11/20
	2017/11/20	2017/11/30		CHK'D BY	DATE		SAKIYAMA	2017/11/30
			ANGULAR TOL $\pm 3.0^\circ$	APPR BY	DATE	PRODUCT CUSTOMER DRAWING SERIES: 50597 MATERIAL NUMBER: SEE CHART CUSTOMER: GENERAL MARKET DOCUMENT NUMBER: 505970000-SD DOC TYPE: PSD DOC PART: 000 SHEET NUMBER: 1 OF 1		
			4 PLACES ± 0.2	TKANEKO	2017/11/30			
			3 PLACES ± 0.2	DRAWING SIZE	THIRD ANGLE PROJECTION			
			2 PLACES ± 0.2	A3				
			1 PLACE ± 0.2	DRAFT WHERE APPLICABLE MUST REMAIN WITHIN DIMENSIONS				
			0 PLACES ± 0.2					

DWG. NO.
SD-50597-8*00

MM DIMENSIONS IN METRIC DO NOT SCALE DRAWING



注記
NOTES

- 適合ハウジング : 51138 , 51142 シリーズ
APPLICABLE HOUSING : 51138 , 51142 SERIES
 - 材料 : 銅合金, 錫メッキ (t=0.25)
MATERIAL : COPPER ALLOY , TIN PLATED (t=0.25)
- △ リテーナー使用時 : $\phi 2.5$ MAX.
WHEN RETAINER USING : $\phi 2.5$ MAX.

角度 ANGLE	$\pm 30^\circ$				材料 MATERIAL	注記参照 SEE NOTES
30 以上 OVER	± 0.3				仕上げ FINISH	注記参照 SEE NOTES
10 以上 OVER 30 未満 UNDER	± 0.25				適用電線範囲 WIRE RANGE	AWG #16-22
10 未満 UNDER	± 0.2				被覆外径 INS. RANGE	$\Delta \phi 2.0-3.3$
一般公差 GENERAL TOLERANCES		記号 LTR	変更内容 REVISION RECORD	DR. CHK.	日付 DATE	尺度 SCALE
		0	新規作成 (Jc60392)	h.h	'95/12/15	8 : 1
				H.H	'95/12/15	
					DRAWN BY '95/12/15 H.HASEGAWA	CHK'D BY '95/12/15 Y.M H.HIRAMOTO
					APP'D BY '95/12/15 M.FUKUSHIMA	

50597-8100	バラ状 LOOSE
50597-8000	連鎖状 CHAIN
ENG. NO.	端子形状 FORM

molex MOLEX-JAPAN CO.,LTD. 日本モレックス株式会社	
REVISE ONLY ON CAD SYSTEM	
TITLE 名称 3.96 W/W & W/B CONN. CRIMP TERMINAL	
DWG. NO.	REV
SD-50597-8*00	0

THIS DRAWING CONTAINS INFORMATION THAT IS PROPRIETARY TO MOLEX(JAPAN) AND SHOULD NOT BE USED WITHOUT WRITTEN PERMISSION
本図面は日本モレックス(株)の所有する情報を含むもので 当社の許可なく複製を禁止する。

EN-01C(032)MXJ-32

50597-S11