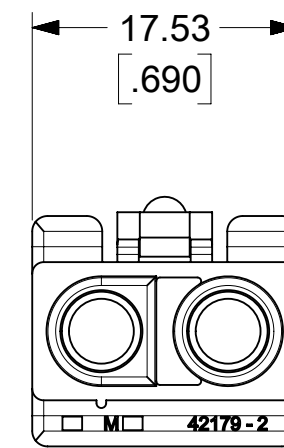


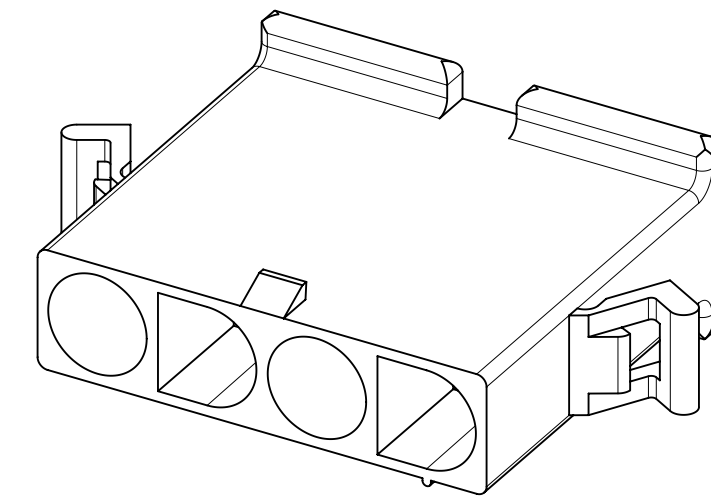
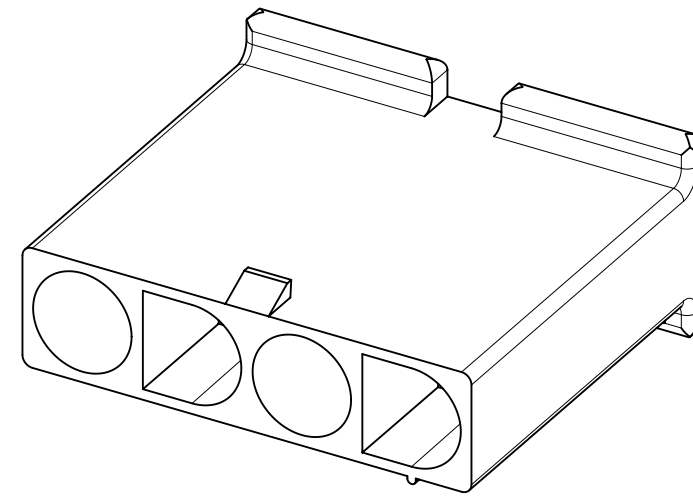
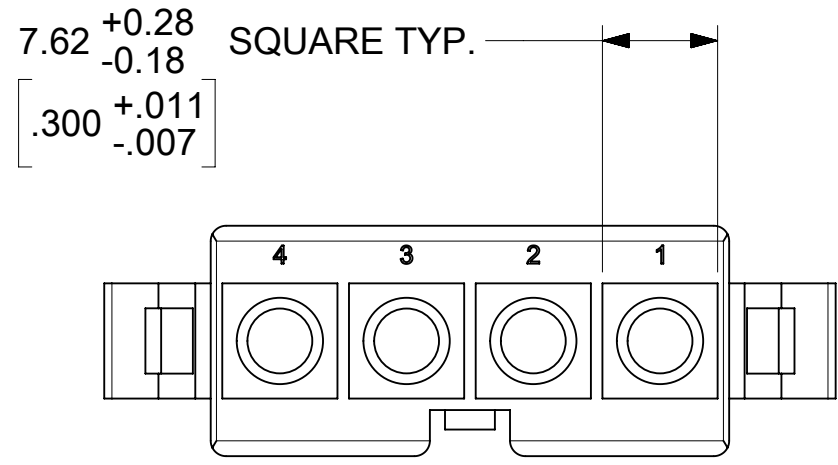
3 CIRCUIT RECEPTACLE



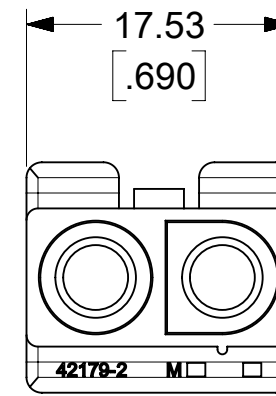
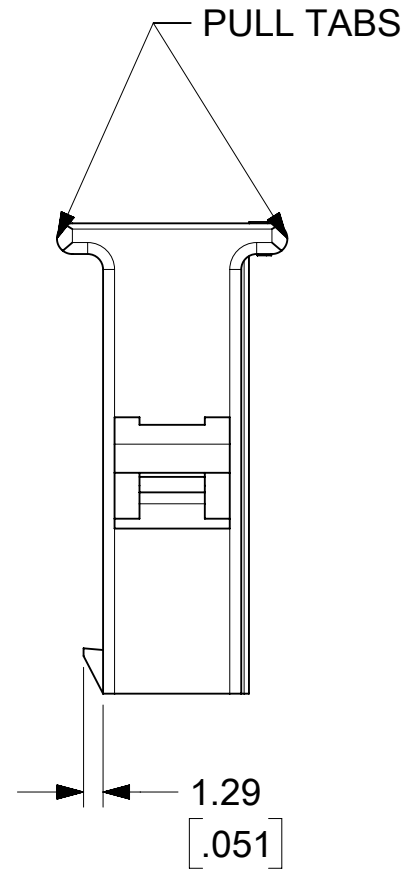
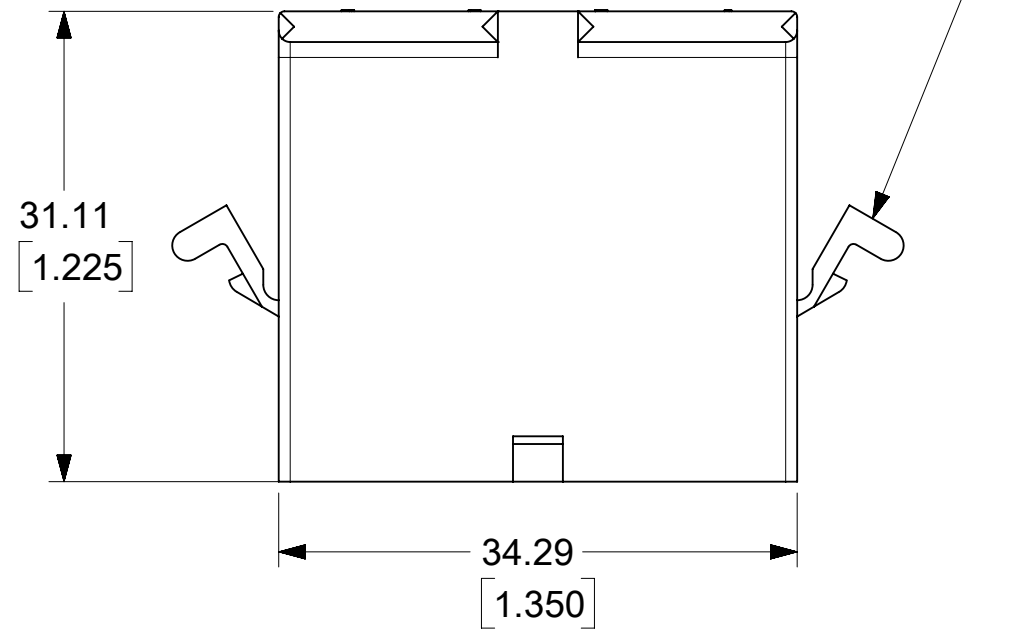
2 CIRCUIT RECEPTACLE

RECEPTACLES

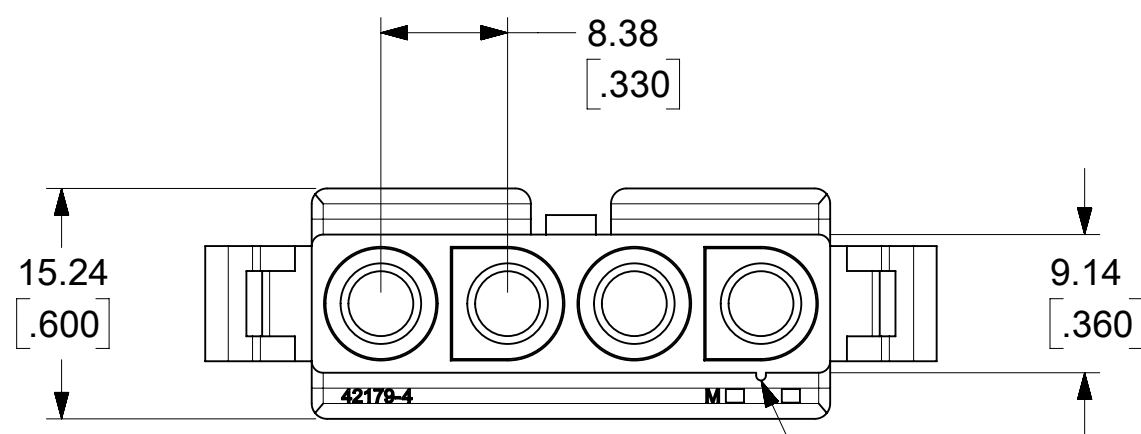
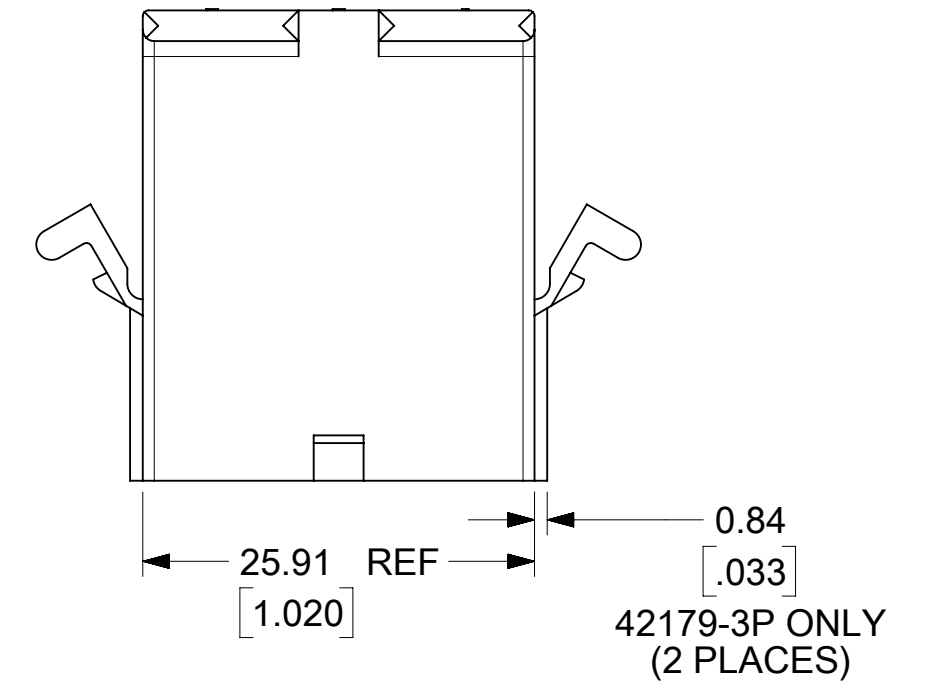
THIS DRAWING CONTAINS INFORMATION THAT IS PROPRIETARY TO MOLEX ELECTRONIC TECHNOLOGIES, LLC AND SHOULD NOT BE USED WITHOUT WRITTEN PERMISSION										
CORRECT 7.62 TOL	2017/10/17	2017/10/18	2017/10/23	GENERAL TOLERANCES (UNLESS SPECIFIED)		DIMENSION UNITS	SCALE			
	DRWN: AZAHROVIC	CHKD: MKIPPER	REV: APPR: FSMITH	MM	INCH	MM/INCH	2:1			
	EC NO: 123491	4 PLACES	±	±	DRWN BY	DATE	.125/(3.17) PLUG AND RECEPTACLE HOUSINGS			
	3 PLACES	±	± 0.007	MKIPPER	2017/03/15					
	2 PLACES	± 0.18	± 0.01	CHK'D BY	DATE					
1 PLACES	± 0.25	±	JBELL	2017/03/17						
0 PLACES	±	±	APPR BY	DATE	PRODUCT CUSTOMER DRAWING					
ANGULAR TOL ±	DRAWING SIZE		THIRD ANGLE PROJECTION		SERIES	MATERIAL NUMBER	CUSTOMER			
DRAFT WHERE APPLICABLE MUST REMAIN WITHIN DIMENSIONS	C				42179	SEE CHART	GENERAL MARKET			
A1	DOCUMENT NUMBER		DOC TYPE		DOC PART		SHEET NUMBER			
	421790000-SD		PSD		000		1 OF 3			



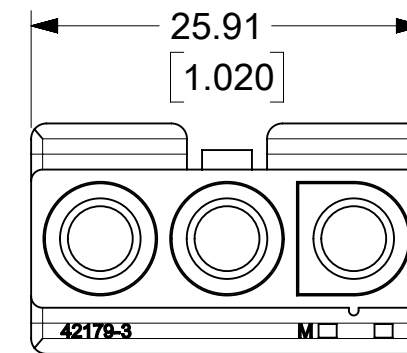
OPTIONAL MOUNTING EARS



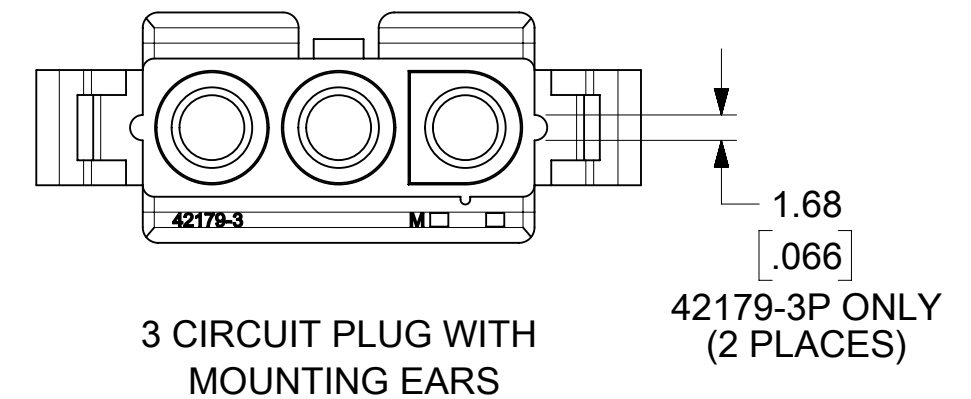
2 CIRCUIT PLUG



RIB TO IDENTIFY CIRCUIT 1



3 CIRCUIT PLUG



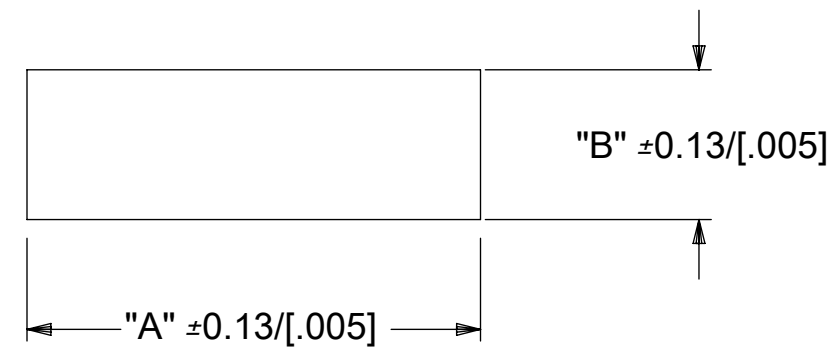
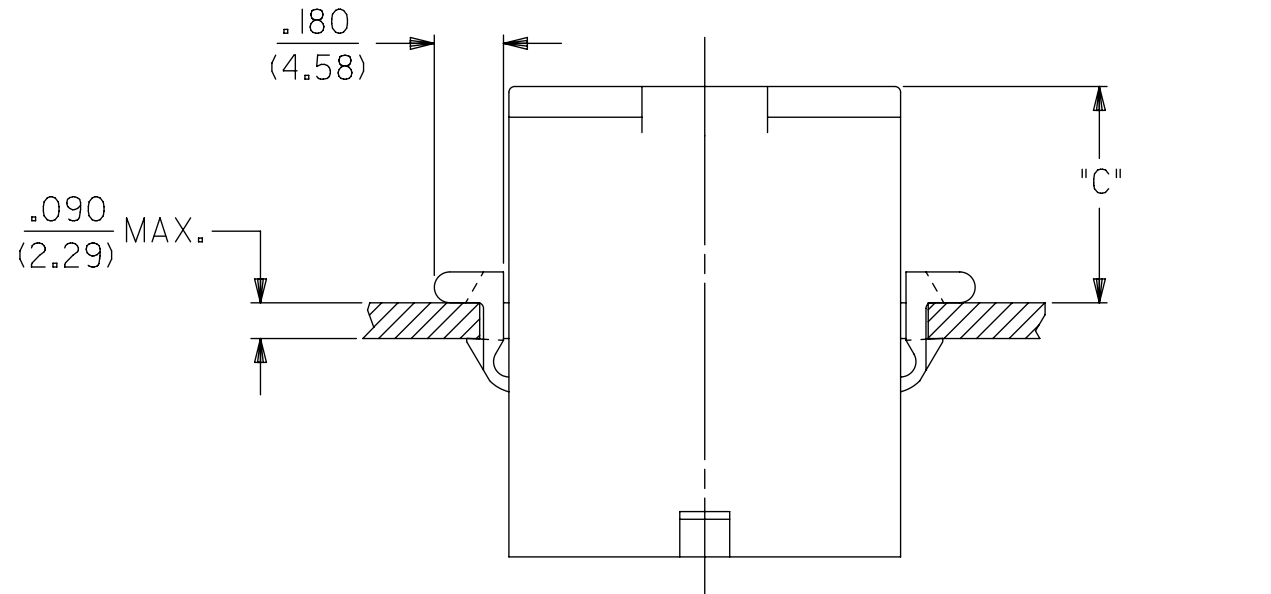
3 CIRCUIT PLUG WITH MOUNTING EARS

PLUGS

THIS DRAWING CONTAINS INFORMATION THAT IS PROPRIETARY TO MOLEX ELECTRONIC TECHNOLOGIES, LLC AND SHOULD NOT BE USED WITHOUT WRITTEN PERMISSION									
CORRECT 7.62 TOL	EC NO: 123491 DRWN: AZAHOVIC CHKD: MKIPPER REV / APPR: FSMITH	GENERAL TOLERANCES (UNLESS SPECIFIED)		DIMENSION UNITS	SCALE	 .125/(3.17) PLUG AND RECEPTACLE HOUSINGS PRODUCT CUSTOMER DRAWING SERIES: 42179 MATERIAL NUMBER: SEE CHART CUSTOMER: GENERAL MARKET DOCUMENT NUMBER: 421790000-SD DOC TYPE: PSD DOC PART: 000 SHEET NUMBER: 2 OF 3			
				MM/INCH	2:1				
				DRWN BY	DATE				
				CHK'D BY	DATE				
				APPR BY	DATE				
		ANGULAR TOL ±		DRAWING SIZE	THIRD ANGLE PROJECTION				
		DRAFT WHERE APPLICABLE MUST REMAIN WITHIN DIMENSIONS		C					

PLUGS			
CIRCUITS	PART NO.	ENG. NO.	EARS
2	03-12-2026	42179-2P1	NO
2	03-12-2025	42179-2P	YES
3	03-12-2036	42179-3P1	NO
3	03-12-2035	42179-3P	YES
4	03-12-2046	42179-4P1	NO
4	03-12-2045	42179-4P	YES

RECEPTACLES		
CIRCUITS	PART NO.	ENG. NO.
2	03-12-1026	42179-2R1
3	03-12-1036	42179-3R1
4	03-12-1046	42179-4R1



RECOMMENDED HOLE CUTOUT

CIRCUITS	PLUG PART NO.	DIM. "A"	DIM. "B"	DIM. "C"
2	03-12-2025	21.62 / [.851]	11.18 / [.440]	14.5 / [.57]
3	03-12-2035	30.00 / [1.181]		
4	03-12-2045	38.38 / [1.511]		

NOTES:

1. MATERIAL: NYLON (PA6/6), UL94V-2, COLOR-NATURAL (TRANSLUCENT)
2. FINISH: NONE
3. PRODUCT SPECIFICATION: PSX-42179
4. PACKAGING SPECIFICATION: PK-42179-001
5. PART ACCEPTS A MAXIMUM .250/(6.35) INSULATION DIAMETER WIRE.
6. FOR USE WITH ALL MOLEX .125/(3.17) DIAMETER SERIES TERMINALS EXCEPT THE 1219/1220 SERIES.
7. PARTS CONFORM TO CLASS B REQUIREMENTS OF COSMETIC SPECIFICATION PS-45499-002.
8. THIS DRAWING REPLACES SD-42179-2*, SD-42179-3*, AND SD-42179-4*.

THIS DRAWING CONTAINS INFORMATION THAT IS PROPRIETARY TO MOLEX ELECTRONIC TECHNOLOGIES, LLC AND SHOULD NOT BE USED WITHOUT WRITTEN PERMISSION										
CORRECT 7.62 TOL	EC NO: 123491 DRWN: AZAHROVIC CHKD: MKIPPER REV / APPR: FSMITH	GENERAL TOLERANCES (UNLESS SPECIFIED)		DIMENSION UNITS	SCALE	 .125/(3.17) PLUG AND RECEPTACLE HOUSINGS PRODUCT CUSTOMER DRAWING SERIES: 42179 MATERIAL NUMBER: SEE CHART CUSTOMER: GENERAL MARKET DOCUMENT NUMBER: 421790000-SD DOC TYPE: PSD DOC PART: 000 SHEET NUMBER: 3 OF 3				
		MM	INCH	MM/INCH	2:1					
		4 PLACES	±	±	DRWN BY					DATE
		3 PLACES	±	± 0.007	CHK'D BY					DATE
		2 PLACES	± 0.18	± 0.01	APPR BY					DATE
		1 PLACES	± 0.25	±	FSMITH					2017/03/20
0 PLACES	±	±	DRAWING SIZE	THIRD ANGLE PROJECTION						
ANGULAR TOL ±		DRAFT WHERE APPLICABLE MUST REMAIN WITHIN DIMENSIONS		C						