

Signal conditioner - MINI MCR-SL-I-I - 2864406

Please be informed that the data shown in this PDF Document is generated from our Online Catalog. Please find the complete data in the user's documentation. Our General Terms of Use for Downloads are valid (<http://phoenixcontact.com/download>)



MCR 3-way isolating amplifier, for electrical isolation of analog signals, with screw connection, input signal: 0(4) mA ... 20 mA, output signal: 0(4) mA ... 20 mA

Product Description

The 6.2 mm wide standard signal 3-way isolating amplifier MINI MCR-SL-I-I(-SP) is used for electrical isolation, amplification and filtering of standard signals.

On the input and output side, the analog standard signals 0...20 mA or 4...20 mA are available, electrically isolated.


Power (19.2 V DC to 30 V DC) can be supplied through connection terminal blocks on the modules or in conjunction with the DIN rail connector.

Your advantages

- ✓ Power supply possible via the foot element (TBUS)
- ✓ Entry-level alternative to configurable signal conditioners
- ✓ Low power consumption
- ✓ 3-way isolation
- ✓ Highly-compact isolating amplifier for electrical isolation, conversion, amplification, and filtering of standard analog signals
- ✓ Fixed signal combinations



Key Commercial Data

| | |
|--------------|---|
| Packing unit | 1 pc |
| GTIN |  4 017918 956158 |
| GTIN | 4017918956158 |

Technical data

Note

| | |
|-------------------------|---|
| Utilization restriction | EMC: class A product, see manufacturer's declaration in the download area |
|-------------------------|---|

Dimensions

| | |
|--------|---------|
| Width | 6.2 mm |
| Height | 93.1 mm |

Signal conditioner - MINI MCR-SL-I-I - 2864406

Technical data

Dimensions

| | |
|-------|----------|
| Depth | 101.2 mm |
|-------|----------|

Ambient conditions

| | |
|---|---|
| Ambient temperature (operation) | -20 °C ... 65 °C |
| Ambient temperature (storage/transport) | -40 °C ... 85 °C |
| Degree of protection | IP20 |
| Noise immunity | EN 61000-6-2 When being exposed to interference, there may be minimal deviations. |

Input data

| | |
|--------------------------------|----------------|
| Number of inputs | 1 |
| Configurable/programmable | no |
| Current input signal | 0 mA ... 20 mA |
| | 4 mA ... 20 mA |
| Max. input current | 50 mA |
| Input resistance current input | approx. 50 Ω |

Output data

| | |
|---------------------------------|----------------------------------|
| Number of outputs | 1 |
| Configurable/programmable | no |
| Current output signal | 0 mA ... 20 mA |
| | 4 mA ... 20 mA |
| Max. output current | 28 mA |
| Load/output load current output | < 500 Ω (at 20 mA) |
| Ripple | < 20 mV _{PP} (at 500 Ω) |

Power supply

| | |
|--------------------------|---|
| Nominal supply voltage | 24 V DC |
| Supply voltage range | 19.2 V DC ... 30 V DC (The DIN rail bus connector (ME 6,2 TBUS-2 1,5/5-ST-3,81 GN, Order No. 2869728) can be used to bridge the supply voltage. It can be snapped onto a 35 mm DIN rail according to EN 60715)) |
| Max. current consumption | < 20 mA |
| Power consumption | < 450 mW |

Connection data

| | |
|----------------------------------|---|
| Connection method | Screw connection |
| Stripping length | 12 mm |
| Screw thread | M3 |
| Conductor cross section solid | 0.2 mm ² ... 2.5 mm ² |
| Conductor cross section flexible | 0.2 mm ² ... 2.5 mm ² |
| Conductor cross section AWG | 26 ... 12 |

General

| | |
|-----------------|---|
| No. of channels | 1 |
|-----------------|---|

Signal conditioner - MINI MCR-SL-I-I - 2864406

Technical data

General

| | |
|--|--|
| Maximum transmission error | ≤ 0.1 % (of final value) |
| Maximum temperature coefficient | < 0.01 %/K |
| Temperature coefficient, typical | < 0.002 %/K |
| Limit frequency (3 dB) | approx. 100 Hz |
| Step response (10-90%) | approx. 3.2 ms |
| Protective circuit | Transient protection |
| Electrical isolation | Basic insulation according to EN 61010 |
| Overvoltage category | II |
| Degree of pollution | 2 |
| Rated insulation voltage | 50 V AC/DC |
| Test voltage, input/output/supply | 1.5 kV (50 Hz, 1 min.) |
| Electromagnetic compatibility | Conformance with EMC directive |
| Noise emission | EN 61000-6-4 |
| Noise immunity | EN 61000-6-2 When being exposed to interference, there may be minimal deviations. |
| Color | green |
| Housing material | PBT |
| Mounting position | any |
| Assembly instructions | The T connector can be used to bridge the supply voltage. It can be snapped onto a 35 mm DIN rail according to EN 60715. |
| Conformance | CE-compliant |
| ATEX | # II 3 G Ex nA IIC T4 Gc X |
| UL, USA/Canada | UL 508 Recognized |
| | Class I, Div. 2, Groups A, B, C, D T5 |
| GL | GL EMC 2 D |
| Fire protection for rail vehicles (DIN EN 45545-2) R22 | HL 1 - HL 2 |
| Fire protection for rail vehicles (DIN EN 45545-2) R23 | HL 1 - HL 2 |
| Fire protection for rail vehicles (DIN EN 45545-2) R24 | HL 1 - HL 2 |

EMC data

| | |
|--|--------------------------|
| Designation | Electromagnetic RF field |
| Standards/regulations | EN 61000-4-3 |
| Typical deviation from the measuring range final value | 10 % |
| Designation | Fast transients (burst) |
| Standards/regulations | EN 61000-4-4 |
| Typical deviation from the measuring range final value | 10 % |
| Designation | Conducted interferences |
| Standards/regulations | EN 61000-4-6 |
| Typical deviation from the measuring range final value | 10 % |

Standards and Regulations

| | |
|-------------------------------|--------------------------------|
| Electromagnetic compatibility | Conformance with EMC directive |
|-------------------------------|--------------------------------|

Signal conditioner - MINI MCR-SL-I-I - 2864406

Technical data

Standards and Regulations

| | |
|----------------------------------|--|
| Noise emission | EN 61000-6-4 |
| Connection in acc. with standard | CUL |
| Designation | Electromagnetic RF field |
| Standards/regulations | EN 61000-4-3 |
| | EN 61000-4-4 |
| Designation | Conducted interferences |
| Standards/regulations | EN 61000-4-6 |
| Electrical isolation | Basic insulation according to EN 61010 |
| Conformance | CE-compliant |
| ATEX | # II 3 G Ex nA IIC T4 Gc X |
| UL, USA/Canada | UL 508 Recognized |
| | Class I, Div. 2, Groups A, B, C, D T5 |
| GL | GL EMC 2 D |

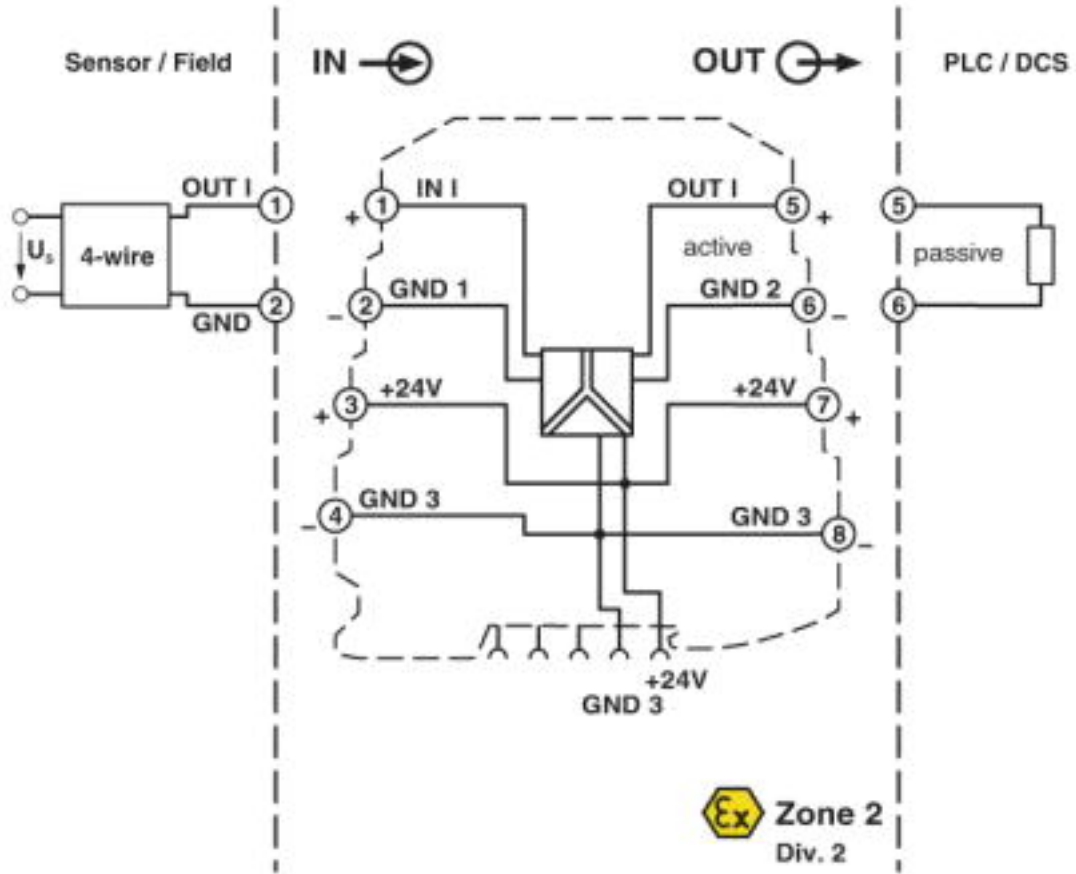
Environmental Product Compliance

| | |
|------------|---|
| REACH SVHC | Lead 7439-92-1 |
| China RoHS | Environmentally Friendly Use Period = 50 years |
| | For details about hazardous substances go to tab "Downloads", Category "Manufacturer's declaration" |

Drawings

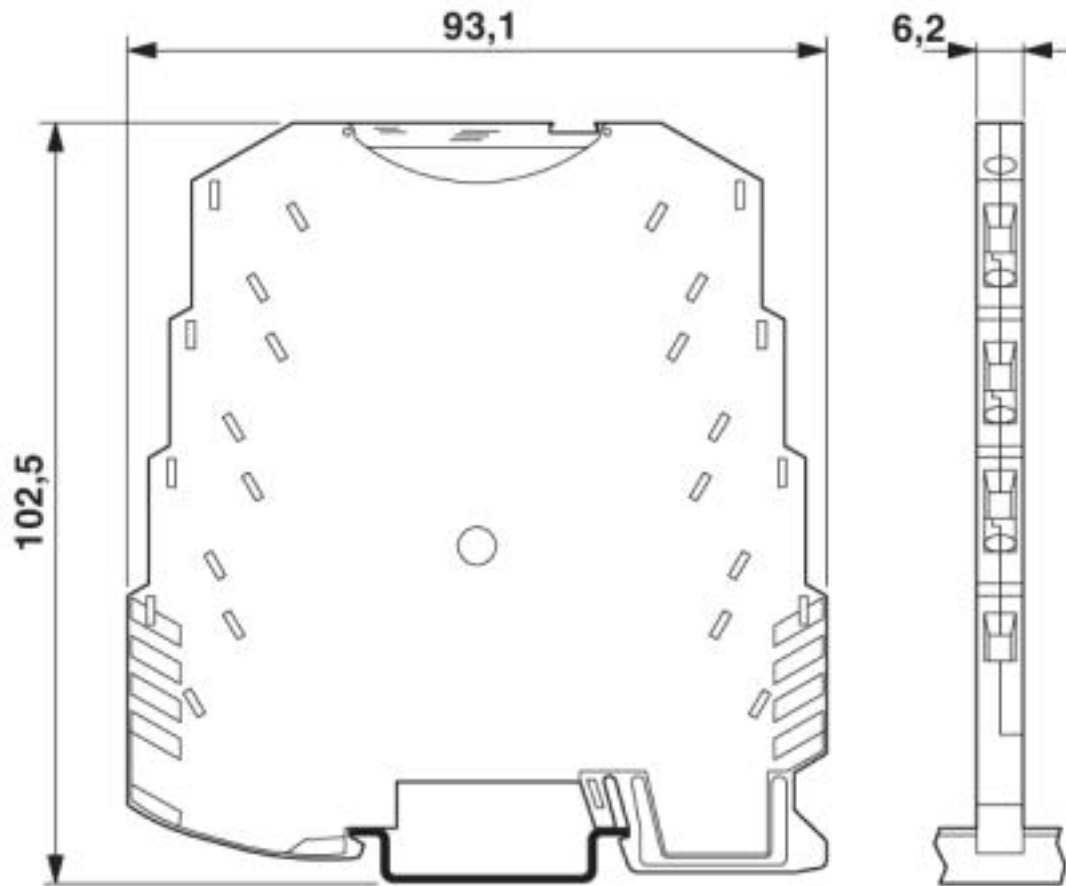
Signal conditioner - MINI MCR-SL-I-I - 2864406

Block diagram



Signal conditioner - MINI MCR-SL-I-I - 2864406

Dimensional drawing



Classifications

eCl@ss

| | |
|------------|----------|
| eCl@ss 4.0 | 27210100 |
| eCl@ss 4.1 | 27210100 |
| eCl@ss 5.0 | 27210100 |
| eCl@ss 5.1 | 27210100 |
| eCl@ss 6.0 | 27210100 |
| eCl@ss 7.0 | 27210120 |
| eCl@ss 8.0 | 27210120 |
| eCl@ss 9.0 | 27210120 |

ETIM

| | |
|----------|----------|
| ETIM 4.0 | EC002653 |
| ETIM 5.0 | EC002653 |
| ETIM 6.0 | EC002653 |
| ETIM 7.0 | EC002653 |

Signal conditioner - MINI MCR-SL-I-I - 2864406

Classifications

UNSPSC

| | |
|---------------|----------|
| UNSPSC 6.01 | 30211506 |
| UNSPSC 7.0901 | 39121008 |
| UNSPSC 11 | 39121008 |
| UNSPSC 12.01 | 39121008 |
| UNSPSC 13.2 | 39121008 |
| UNSPSC 18.0 | 39121008 |
| UNSPSC 19.0 | 39121008 |
| UNSPSC 20.0 | 39121008 |
| UNSPSC 21.0 | 39121008 |

Approvals

Approvals





Approvals

BV / UL Recognized / cUL Recognized / DNV GL / cULus Recognized

Ex Approvals

ATEX / UL Listed / cUL Listed / EAC Ex / cULus Listed

Approval details

| | | | |
|----------------|---|---|---------------|
| BV |  | http://www.veristar.com/portal/veristarinfo/generalinfo/approved/approvedProducts/equipmentAndMaterials | 39933/A0_BV |
| UL Recognized |  | http://database.ul.com/cgi-bin/XYV/template/LISEXT/1FRAME/index.htm | FILE E 238705 |
| cUL Recognized |  | http://database.ul.com/cgi-bin/XYV/template/LISEXT/1FRAME/index.htm | FILE E 238705 |
| DNV GL |  | https://approvalfinder.dnvgl.com/ | TAA000020N |

Signal conditioner - MINI MCR-SL-I-I - 2864406

Approvals

cULus Recognized



Accessories

Accessories

DIN rail connector

DIN rail bus connectors - ME 6,2 TBUS-2 1,5/5-ST-3,81 GN - 2869728



DIN rail connector for DIN rail mounting. Universal for TBUS housing. Gold-plated contacts, 5-pos.

Marking material

Transparent cover - MINI MCR DKL - 2308111



Fold up transparent cover for MINI MCR modules with additional labeling option using insert strips and flat Zack marker strip 6.2 mm

Marking label - MINI MCR-DKL-LABEL - 2810272



Label for extended marking of MINI MCR modules in connection with the MINI MCR-DKL

Power module

Power terminal block - MINI MCR-SL-PTB - 2864134



MCR power terminal block for supplying several MINI Analog modules via the DIN rail connector, with screw connection, maximum current consumption of up to 2 A

Signal conditioner - MINI MCR-SL-I-I - 2864406

Accessories

Power terminal block - MINI MCR-SL-PTB-SP - 2864147



MCR feed-in terminal for supplying several MINI Analog modules via a DIN rail connector, with spring-cage connection, maximum current consumption of up to 2 A. Replacement part: 2902067 MINI MCR-2-PTB-PT.

Power supply

Power supply unit - MINI-SYS-PS-100-240AC/24DC/1.5 - 2866983



Primary-switched MINI POWER supply for DIN rail mounting, input: 1-phase, output: 24 V DC/1.5 A

Power supply unit - MINI-PS-100-240AC/24DC/1.5/EX - 2866653



Primary-switched power supply MINI POWER for DIN rail mounting, input: 1-phase, output: 24 V DC/1,5 A, for the potentially explosive area

Phoenix Contact 2020 © - all rights reserved
<http://www.phoenixcontact.com>

PHOENIX CONTACT GmbH & Co. KG
Flachsmarktstr. 8
32825 Blomberg
Germany
Tel. +49 5235 300
Fax +49 5235 3 41200
<http://www.phoenixcontact.com>