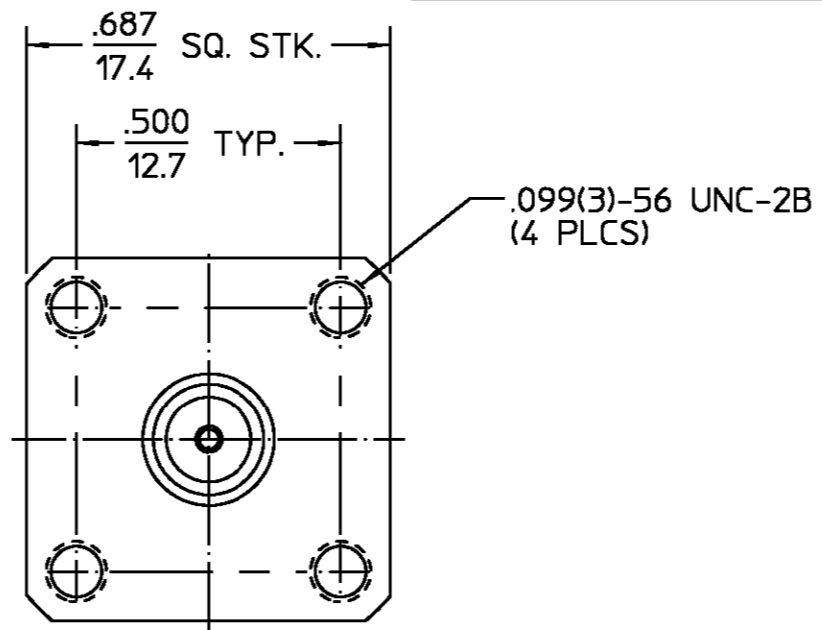
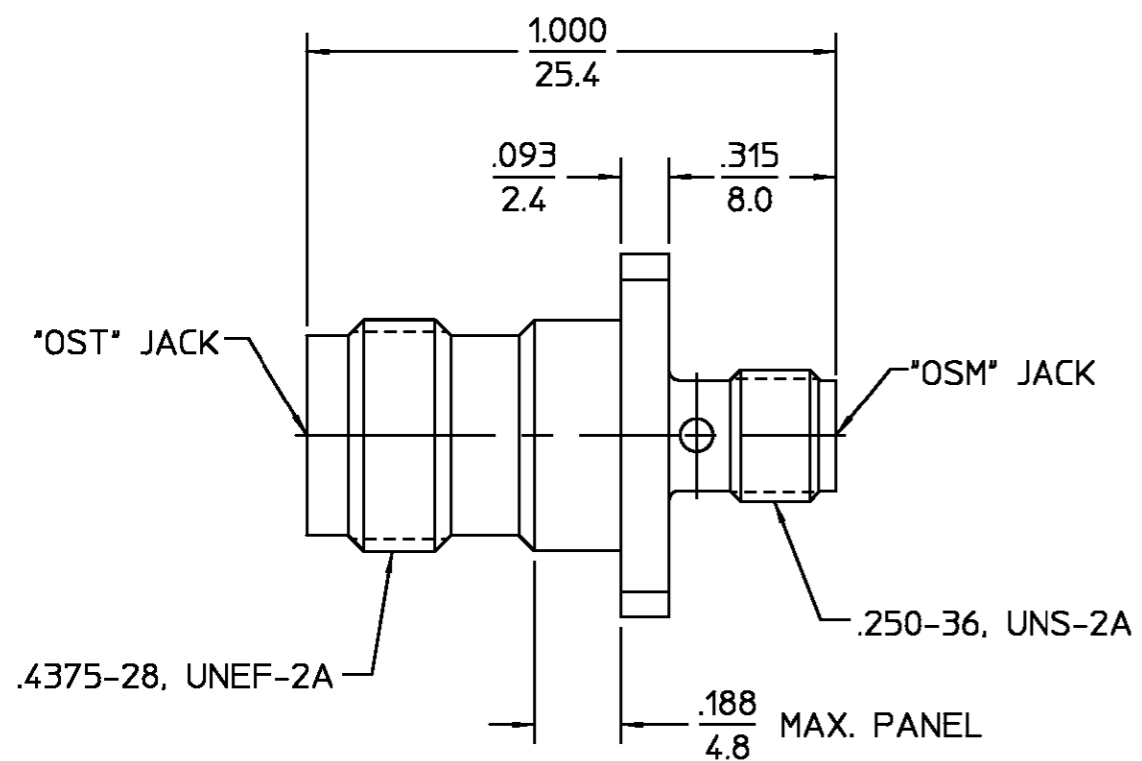


REVISIONS			
REV	DESCRIPTION	DATE	APPROVED
03 <sub>1</sub>	REVISED	7/18/96	PCV 7/26/96



.XXX = in  
XX.X = mm (REF)

HOUSING	STAINLESS STEEL PER ASTM-A484 AND ASTM-A582, TYPE 303	PASSIVATE PER QQ-P-35
DIELECTRIC	TFE FLUOROCARBON PER ASTM-D-1457	N/A
CENTER CONTACT	BERYLLIUM COPPER PER ASTM-B-196 OR ASTM-B-197, ALLOY C17300, CONDITION H	GOLD PLATE PER MIL-G-45204
COMPONENT	MATERIAL	FINISH

UNLESS OTHERWISE SPECIFIED DIMENSIONS ARE IN INCHES FRAC. ± 1/64 DEC. ±.005 ANGLES ± 1°	DRAWN BY S.W.A. DATE 7/1/85	AMP Incorporated 140 Fourth Avenue Waltham, MA 02451-7599
	CHECKED BY A.H. DATE 10/31/85	
	APPD BY D.R.V. DATE 10/31/85	

These drawings and specifications are the property of M/A COM Interconnect Div. and shall not be reproduced or copied or used in whole or in part as the basis for the manufacture or sale of item(s) without written permission.	USE ASSY PROCEDURE	TITLE "OST" JACK TO "OSM" JACK ADAPTER	
	NO. A.P. N/A	SIZE B	REV 03 <sub>1</sub>
		CODE IDENT NO. 26805	3180-2242-00
	SCALE 3:1	SHEET 1 OF 1	

NOTES:  
1. CAPTURED CENTER CONTACT

COPY IN PUERTO RICO

CUSTOMER DRAWING

AMP PART # 1057841-1  
SHEET 1 OF 1 REV A

# Mouser Electronics

Authorized Distributor

Click to View Pricing, Inventory, Delivery & Lifecycle Information:

[TE Connectivity:](#)

[3180-2242-00](#)