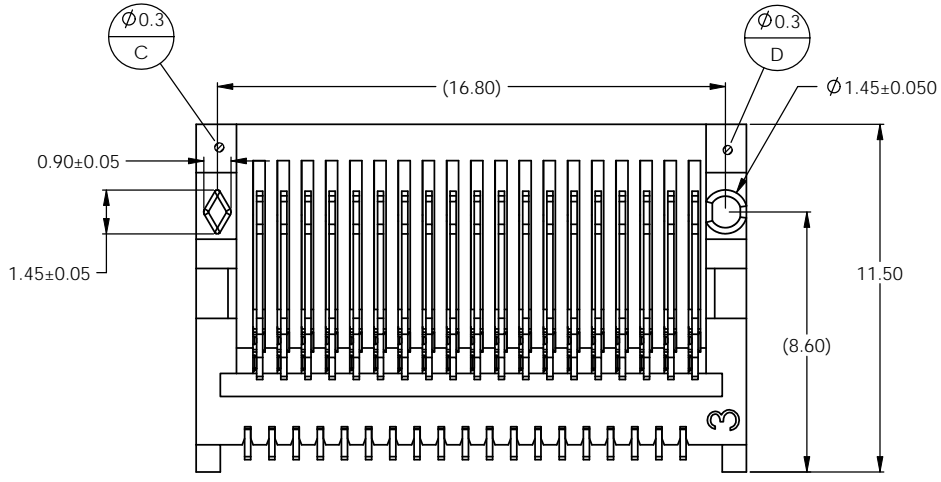
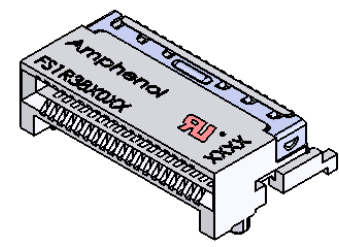
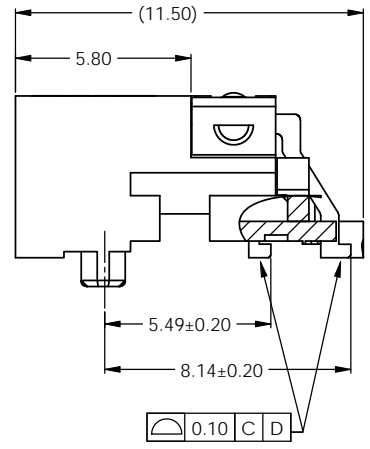
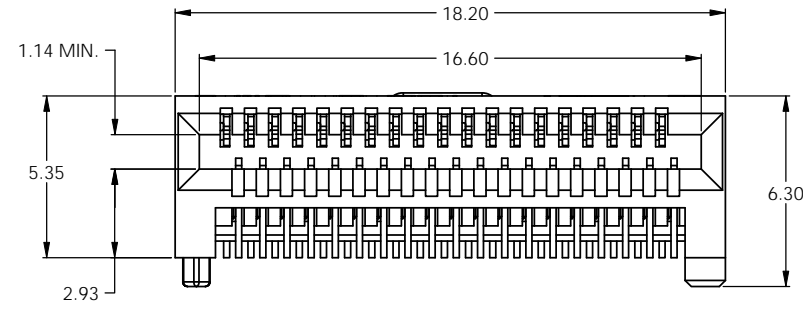
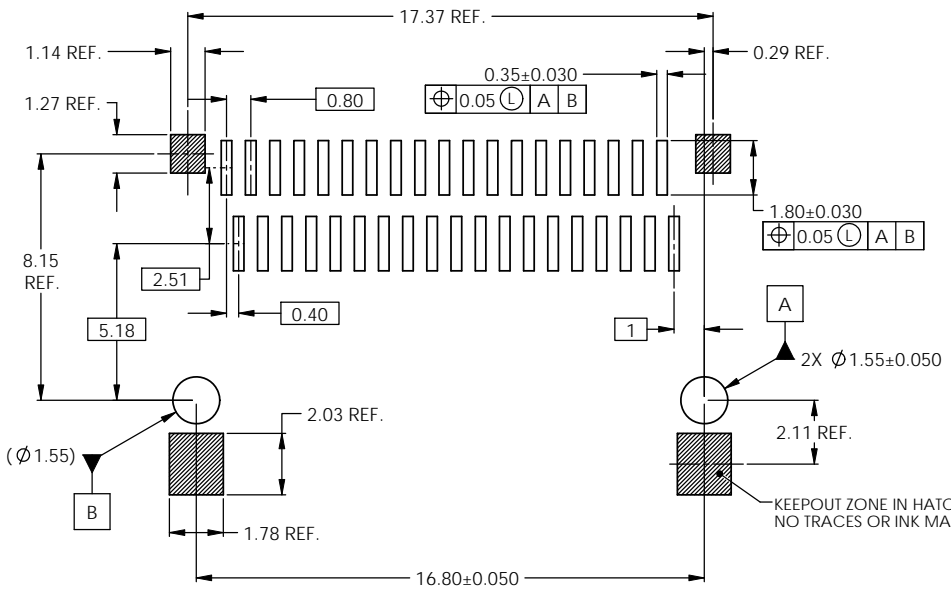


REVISIONS				
REV	ECN	DESCRIPTION	DATE	APPROVED
B		SPEC NUMBER ADDED	FEB 9/2010	ZLJ



PART NUMBER	NOISE CANCELLATION FEATURE	PACKAGING	CONTACT PLATING
FS1-R38-20A2-10	YES	TAPE AND REEL	30μ" GOLD OVER 50μ" NICKEL IN CONTACT AREAS 100μ" MATTE TIN OVER 50μ" NICKEL IN SOLDER AREAS
FS1-R38-20A2-00	NO		
FS1-R38-30A2-10	YES		15μ" GOLD OVER 50μ" NICKEL IN CONTACT AREAS 100μ" MATTE TIN OVER 50μ" NICKEL IN SOLDER AREAS
FS1-R38-30A2-00	NO		



- NOTES:
- 1) MATERIAL:
HOUSING: SOLDER REFLOW PROCESS COMPATIBLE LCP, UL94V-0
CONTACTS: PHOSPHOR BRONZE
 - 2) ROHS COMPLIANT
 - 3) PERFORMANCE:
ELECTRICAL: 0.5 AMPS MAX. PER CONTACT
MECHANICAL: 250 MATING CYCLES MINIMUM
 - 4) COMPLIES WITH SFF-8436 SPECIFICATION



UNLESS OTHERWISE SPECIFIED DIMENSIONS ARE IN MILLIMETERS		APPROVALS		DATE		Amphenol Canada Corp.	
DRAWN	ZLJ	DESIGNED	ZLJ	DRAWN	FEB 5/2010	DATE	FEB 5/2010
CHECKED		DESIGNED	ZLJ	DATE	FEB 5/2010	SCALE	NTS
MATERIAL AND FINISH		PROJECT	FS1	PRODUCT	FS1	SHEET	1 OF 1
ENG. REL. NO.	EAR 12923	REV.	B	PROJECT	P-FS1-R38-X0A2-10	REV.	B
CODE IDENT. NO.	03554	DWG. APP'D		SCALE	NTS	PROJECT	FS1

DO NOT SCALE DRAWING

THIS DOCUMENT CONTAINS PROPRIETARY INFORMATION AND SUCH INFORMATION MAY NOT BE DISCLOSED TO OTHERS FOR ANY PURPOSE OR USED FOR MANUFACTURING PURPOSES WITHOUT PERMISSION FROM AMPHENOL CANADA CORP.

RECOMMENDED PCB LAYOUT

Mouser Electronics

Authorized Distributor

Click to View Pricing, Inventory, Delivery & Lifecycle Information:

[FCI / Amphenol:](#)

[FS1R3820A200](#) [FS1R3820A210](#)