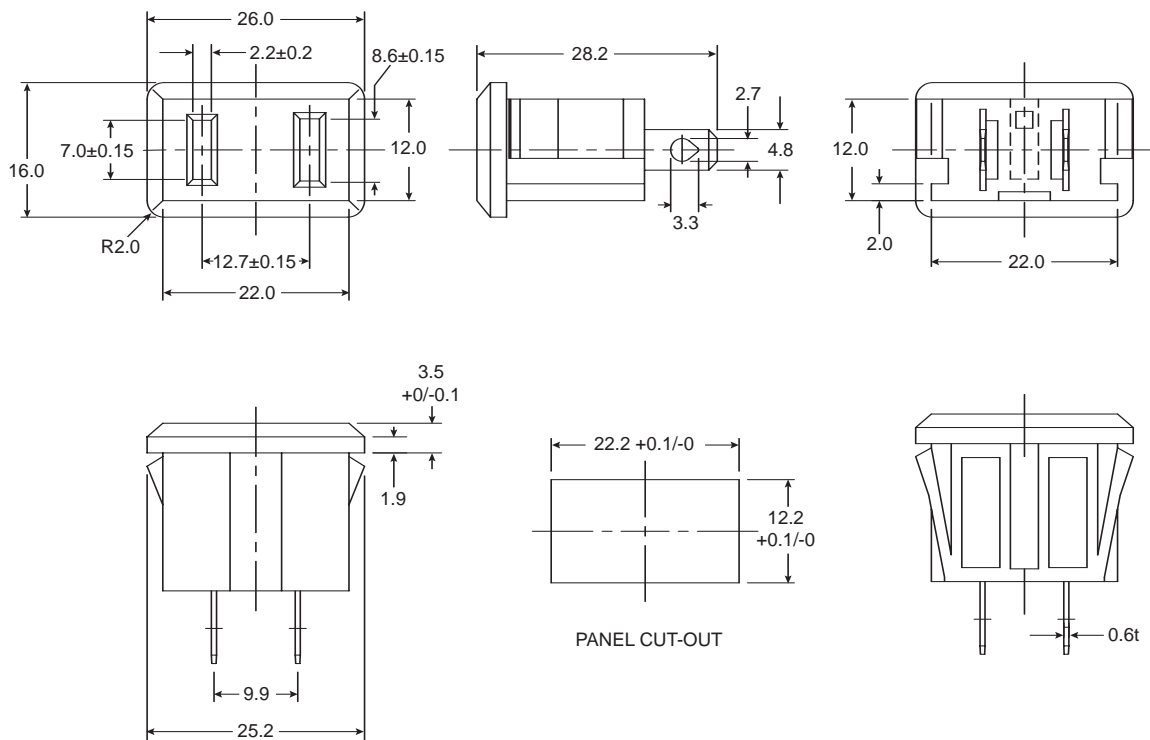


NEMA Outlet

161-RU0298



NEMA Outlet



Dimensions: mm

SPECIFICATIONS	
Electrical Rating:	15 Amp. 125VAC
Insulation Resistance:	100MΩ at 500VDC
Insulation Withstand Voltage:	1500VAC RMS. for 1 Minute
Insertion Force:	5KG Max.
Withdrawal Force:	1.5KG Min.
Life Test:	5,000 Cycles Min.

Tolerance
X.XX±0.1
XX.XX±0.2
XXX.XX±0.3

Date Last Revised: 1-13-05

Available from Mouser Electronics
1-800-346-6873
www.mouser.com

KC- 300212

161-RU0298

Mouser Electronics

Authorized Distributor

Click to View Pricing, Inventory, Delivery & Lifecycle Information:

[Kobiconn:](#)

[161-RU0298](#) [161-RU0298-E](#)