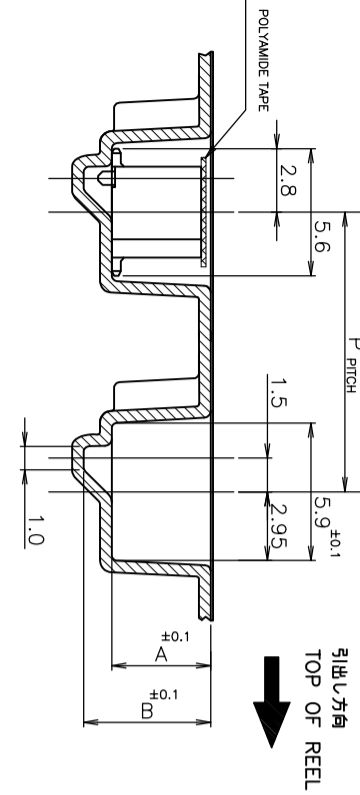
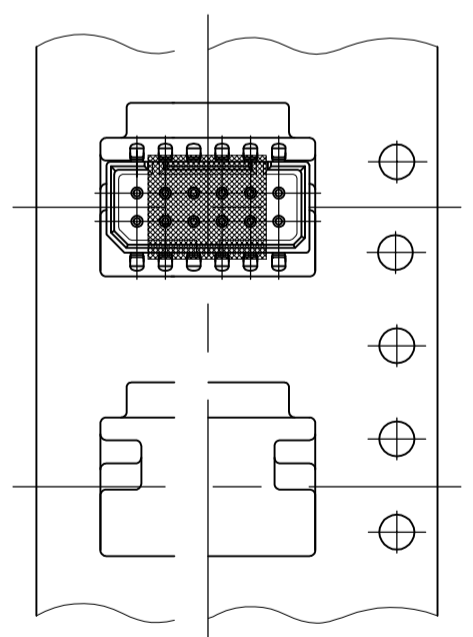
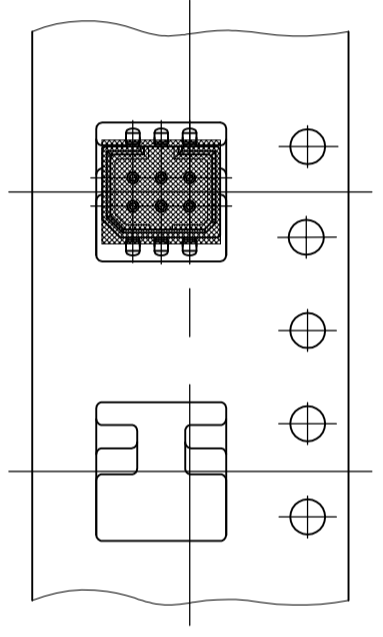
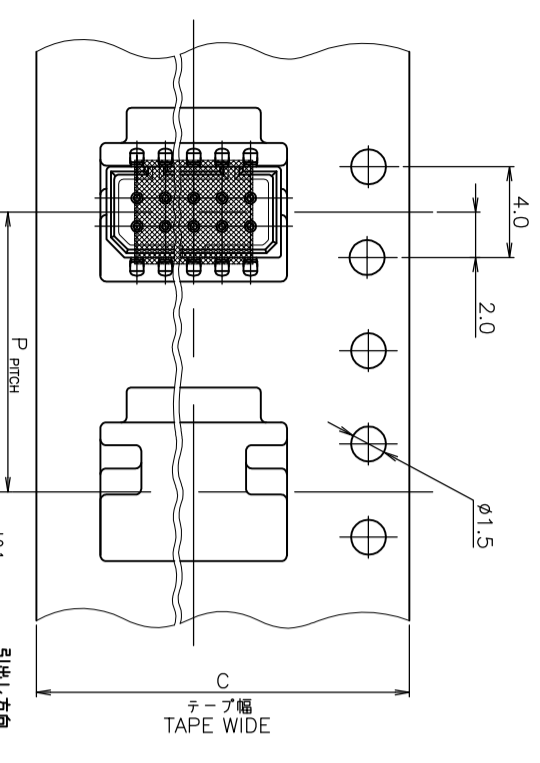
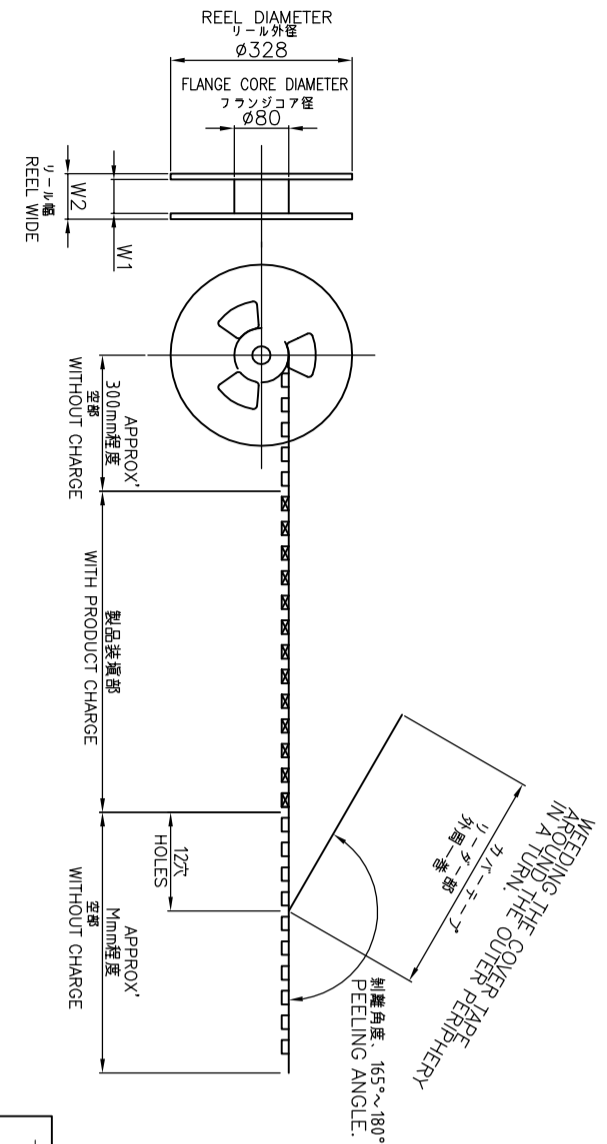


P	LT#	DESCRIPTION	DATE	DMN	APVD
-	-	SEE SHEET 1	-	-	-



EXCEPT 6 Pos. AND 12 Pos.



D2	D1	DIMENSIONS			M	P	B	A	C	QTY/ REEL	Pos	POLYAMIDE P/N	COVER TAPE P/N	EMBOSS TAPE P/N	CONNECTOR P/N	TAPING P/N
		W2	W1	①												
330	100	30.4	24.4	300	12	6.95	5.75	24	700	14	1827186-4		1533651-1	1-174821-4	176890-4	
330	80	29	26	300	12	7.45	6.25	24	750	16	1827186-4	4-720998-5	1-912054-8	7-174821-6	9-176890-6	
330	100	22.4	16.4	300	12	7.45	6.25	24	700	12	1827186-3	4-720998-5	7-912061-6	7-174821-2	9-176890-2	
330	80	29	26	300	12	5.45	4.25	24	1000	24	1827186-4	4-720998-5	3-912051-4	5-174821-4	8-176890-4	
330	80	29	26	300	12	5.45	4.25	24	1000	22	1827186-4	4-720998-5	912055-3	5-174821-2	8-176890-2	
330	80	29	26	300	12	5.45	4.25	24	1000	20	1827186-4	4-720998-5	3-912051-2	5-174821-0	8-176890-0	
330	80	29	26	300	12	5.45	4.25	24	1000	18	1827186-4	4-720998-5	912051-8	4-174821-8	6-176890-8	
330	80	29	26	300	12	5.45	4.25	24	1000	16	1827186-4	4-720998-5	912055-2	4-174821-6	6-176890-6	
330	100	22.4	16.4	300	12	5.45	4.25	24	1000	14	1827186-4	4-720998-4	912051-4	4-174821-4	6-176890-4	
330	80	21	18	300	12	5.45	4.25	16	1000	12	1827186-4	4-720998-4	912051-2	4-174821-2	6-176890-2	
330	80	21	18	300	12	5.45	4.25	16	1000	10	1827186-4	4-720998-4	912051-1	4-174821-0	6-176890-0	
330	80	21	18	300	12	5.45	4.25	16	1000	6	1827186-4	4-720998-4	912055-1	3-174821-6	2-176890-6	
330	80	29	26	300	12	6.95	5.75	24	750	16	1827186-4	4-720998-5	912055-4	1-174821-6	176890-6	

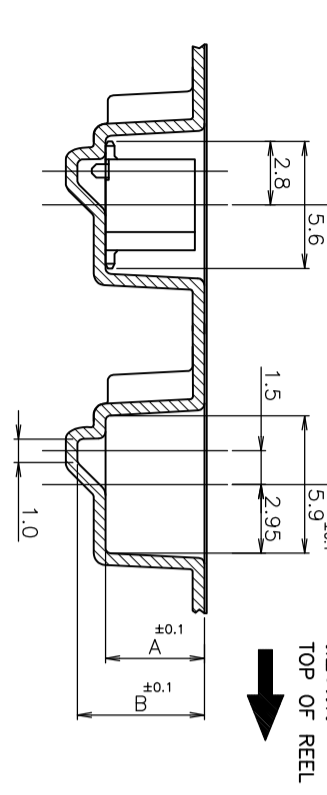
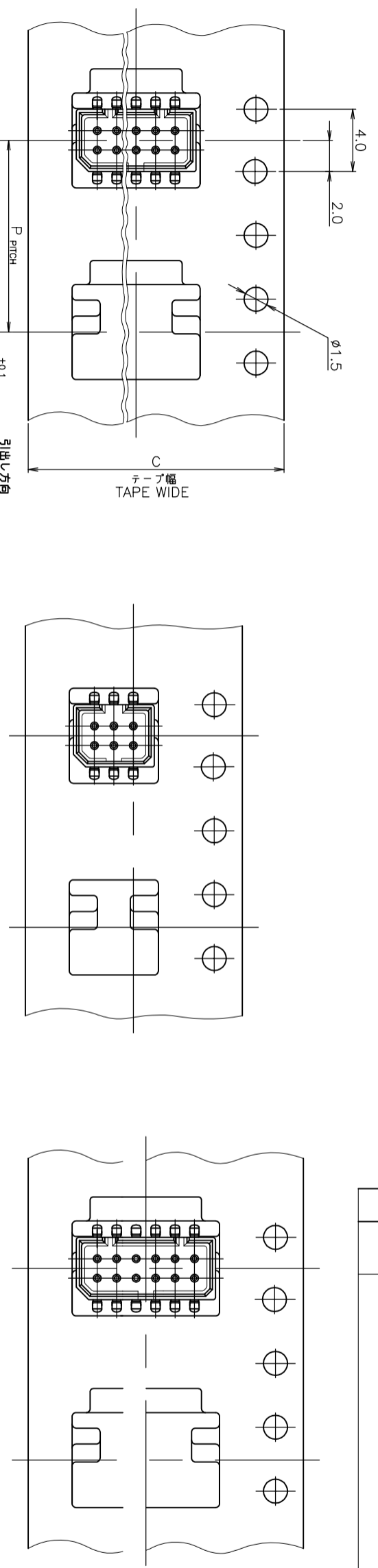
THIS DRAWING IS A CONTROLLED DOCUMENT.

DMN S.KANEKI 22JUN90
 CHK J.TANIGAWA 22JUN90
 APVD S.KUBOBUCHI 22JUN90
 PRODUCT SPEC 108-5246
 APPLICATION SPEC

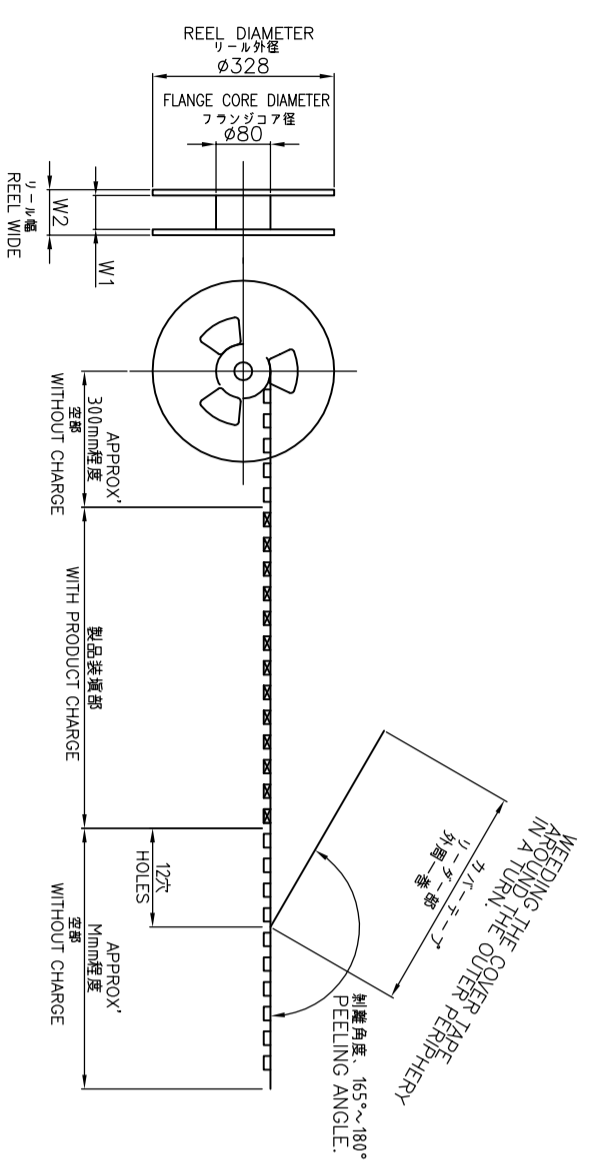
NAME **STE** TE Connectivity
 1.25 FP CONNECTOR (B-TO-B) ON TAPING (EMBOSS)
 DOUBLE ROW POST HDR ASS'Y SMT TYPE

DIMENSIONS:		TOLERANCES UNLESS OTHERWISE SPECIFIED:	
mm	0 PLC	±	±
	1 PLC	±	±
	2 PLC	±	±
	3 PLC	±	±
	4 PLC	±	±
MATERIAL	FINISH		
WEIGHT		CUSTOMER DRAWING	
SIZE	CAGE CODE	DRAWING NO	RESTRICTED TO
A3	00779	176890	
SCALE	SHEET	REV	
	2 of 2	H	

REVISIONS		DATE	DMN	APVD
P	LTR			
H	EGR-17-011273	24AUG2017	RL	SY



EXCEPT 6 Pos. AND 12 Pos.



D 2	D 1	W 2	W 1	M	② P	B	A	C	QTY/ REEL	COVER TAPE P/N	EMBOSS TAPE P/N	CONNECTOR P/N	TAPING P/N
330	80	29	26	300	12	7.45	6.25	24	750	4-720998-5	1-912054-8	7-174821-6	7-176890-6
330	100	22.4	16.4	300	12	7.45	6.25	24	750	4-720998-5	7-912061-6	7-174821-2	7-176890-2
330	80	29	26	300	12	5.45	4.25	24	1000	4-720998-5	3-912051-4	5-174821-4	5-176890-4
330	80	29	26	300	12	5.45	4.25	24	1000	4-720998-5	912055-3	5-174821-2	5-176890-2
330	80	29	26	300	12	5.45	4.25	24	1000	4-720998-5	3-912051-2	5-174821-0	5-176890-0
330	80	29	26	300	12	5.45	4.25	24	1000	4-720998-5	912051-8	4-174821-8	4-176890-8
330	80	29	26	300	12	5.45	4.25	24	1000	4-720998-5	912055-2	4-174821-6	4-176890-6
330	100	22.4	16.4	300	12	5.45	4.25	16	1000	4-720998-4	912051-4	4-174821-4	4-176890-4
330	80	21	18	300	12	5.45	4.25	16	1000	4-720998-4	912051-2	4-174821-2	4-176890-2
330	80	21	18	300	12	5.45	4.25	16	1000	4-720998-4	912051-1	4-174821-0	4-176890-0
330	80	21	18	300	12	5.45	4.25	16	1000	4-720998-4	912055-1	3-174821-6	3-176890-6
330	80	29	26	300	12	6.95	5.75	24	750	4-720998-5	912055-4	1-174821-6	1-176890-6

THIS DRAWING IS A CONTROLLED DOCUMENT.

DMN	S. KANEKI	22JUN90
CHK	J. TANIGAWA	22JUN90
APVD	S. KUBOBUCHI	22JUN90

NAME	1.25 FP CONNECTOR (B-TO-B) ON TAPING (EMBOSS)
PRODUCT SPEC	DOUBLE ROW POST HDR ASS'Y SMT TYPE



DIMENSIONS:	mm
TOLERANCES UNLESS OTHERWISE SPECIFIED:	
Ø PLG	±0.2
1 PLG	±0.25
2 PLG	±0.25
3 PLG	±0.3
4 PLG	±0.3
ANGLES	±0.3°

APVD	S. KUBOBUCHI	22JUN90
PRODUCT SPEC	108-5246	
APPLICATION SPEC		

SIZE	A3	CAGE CODE	00779	DRAWING NO	176890	RESTRICTED TO	
------	----	-----------	-------	------------	--------	---------------	--

MATERIAL		FINISH	
----------	--	--------	--

WEIGHT	0
CUSTOMER DRAWING	

SCALE		SHEET	1 of 2	REV	H
-------	--	-------	--------	-----	---

Mouser Electronics

Authorized Distributor

Click to View Pricing, Inventory, Delivery & Lifecycle Information:

[TE Connectivity:](#)

[4-176890-6](#)