

A

A

B

B

C

C

D

D



FCIconnect.com

Copyright FCI.

Configuration of customer Documents list

P/N	Documents	No.	Title
SLW__R/S-1C7BLF	SPEC	SC-SLW05	
	DWG	JSA96312	CAT NO. TABLE FOR 1mm SPACING CONNECTOR
		JSA96313	1mm SPACING CONNECTOR
		JSA96314	1mm SPACING CONNECTOR
	CABLE	JSA96315	RECOMMENDED CABLE

mat'l. code				surface ISO 1302 <input checked="" type="checkbox"/>		tolerance ISO 406 <input checked="" type="checkbox"/> ISO 1101		projection		product family 58JF/TF		CODE JP	
ltr	ecn no	dr	date	tolerances unless otherwise specified				mm		title 1mm SPACING CONNECTOR DOCUMENT LIST (Cat. No. SLW__R/S1C7BLF)			
A	J05-0079	H.T	'05/2/18	angles	linear			scale \times		dwg no		sheet 1 of 1	size
B	J06-0459	H.T	11/8/'06							JSA96343		A4	
sheet index		revision	B							type Product Customer Drawing		Rev.	B
		sheet	1										

CAT. NO. & DIMENSIONS

NO. OF CONTACTS (n)	CAT. NO.		DIMENSIONS (NOTE1)	
	RIGHT ANGLE TYPE	STRAIGHT TYPE	A ± 0.3	B ± 0.3
4	SLW 4R-1C7BLF	SLW 4S-1C7BLF	10.2	5.2
5	SLW 5R-1C7BLF	SLW 5S-1C7BLF	11.2	6.2
6	SLW 6R-1C7BLF	SLW 6S-1C7BLF	12.2	7.2
7	SLW 7R-1C7BLF	SLW 7S-1C7BLF	13.2	8.2
8	SLW 8R-1C7BLF	SLW 8S-1C7BLF	14.2	9.2
9	SLW 9R-1C7BLF	SLW 9S-1C7BLF	15.2	10.2
10	SLW10R-1C7BLF	SLW10S-1C7BLF	16.2	11.2
11	SLW11R-1C7BLF	SLW11S-1C7BLF	17.2	12.2
12	SLW12R-1C7BLF	SLW12S-1C7BLF	18.2	13.2
13	SLW13R-1C7BLF	SLW13S-1C7BLF	19.2	14.2
14	SLW14R-1C7BLF	SLW14S-1C7BLF	20.2	15.2
15	SLW15R-1C7BLF	SLW15S-1C7BLF	21.2	16.2
16	SLW16R-1C7BLF	SLW16S-1C7BLF	22.2	17.2
17	SLW17R-1C7BLF	SLW17S-1C7BLF	23.2	18.2
18	SLW18R-1C7BLF	SLW18S-1C7BLF	24.2	19.2
19	SLW19R-1C7BLF	SLW19S-1C7BLF	25.2	20.2
20	SLW20R-1C7BLF	SLW20S-1C7BLF	26.2	21.2
21	SLW21R-1C7BLF	SLW21S-1C7BLF	27.2	22.2
22	SLW22R-1C7BLF	SLW22S-1C7BLF	28.2	23.2
23	SLW23R-1C7BLF	SLW23S-1C7BLF	29.2	24.2
24	SLW24R-1C7BLF	SLW24S-1C7BLF	30.2	25.2
25	SLW25R-1C7BLF	SLW25S-1C7BLF	31.2	26.2
26	SLW26R-1C7BLF	SLW26S-1C7BLF	32.2	27.2
27	SLW27R-1C7BLF	SLW27S-1C7BLF	33.2	28.2
28	SLW28R-1C7BLF	SLW28S-1C7BLF	34.2	29.2
29	SLW29R-1C7BLF	SLW29S-1C7BLF	35.2	30.2
30	SLW30R-1C7BLF	SLW30S-1C7BLF	36.2	31.2

CAT. NO. SLW (n) R -1C7 B LF
 SERIES NAME _____
 NO. OF CONTACTS _____
 R:RIGHT ANGLE TYPE _____
 S:STRAIGHT TYPE _____
 VARIATION _____
 GOLD PLATING _____
 LEAD FREE _____

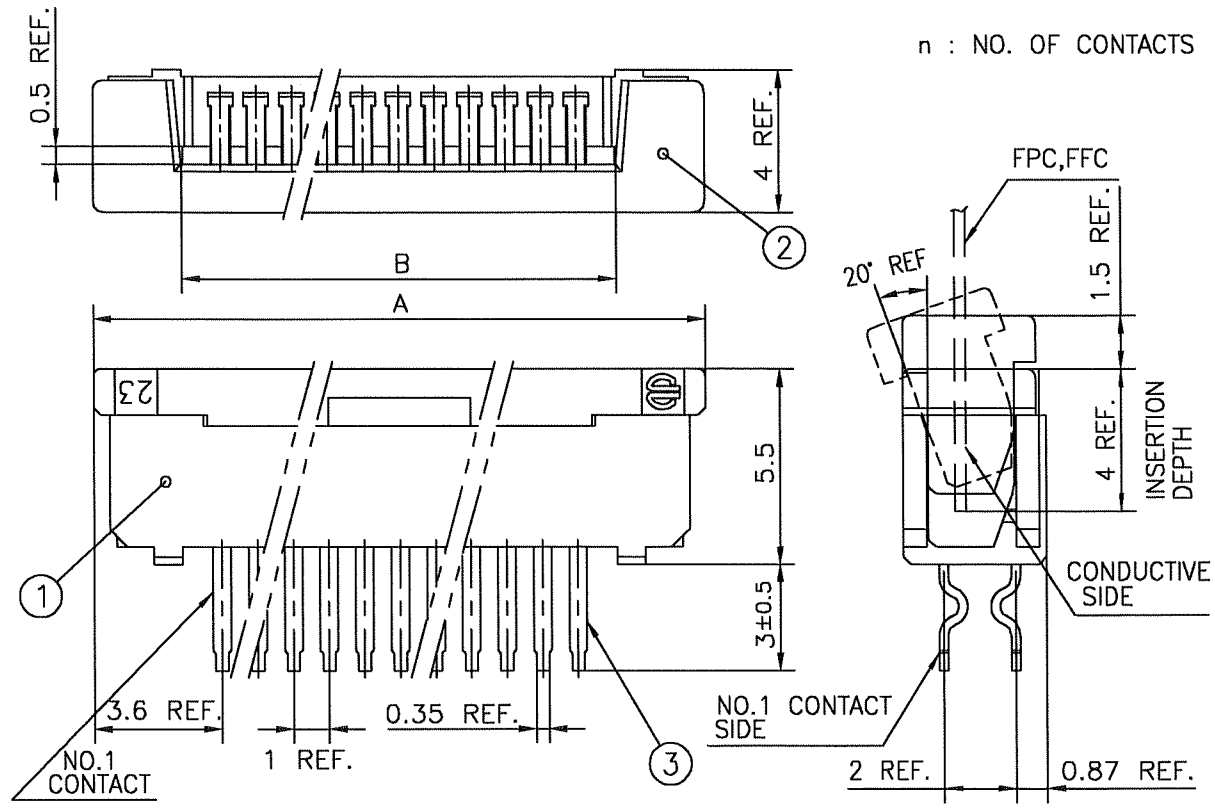
NOTE
 1. SEE PART DRAWINGS FOR DIMENSIONS A,B.

mat'l. code				surface ISO 1302 <input checked="" type="checkbox"/>	tolerance ISO 406 ISO 1101	projection	product family 58JF/TF	CODE JP
ltr	ecn no	dr	date	tolerances unless otherwise specified		mm	title	
A	J05-0079	H.T	2/18/05	angles	linear		CAT NO. TABLE FOR 1mm SPACING CONNECTOR (Cat. No. SLW__R/S-1C7BLF)	
B	J06-0459	H.T	11/8/06			scale \times	dwg no sheet 1 of 1 size	
				dr	<i>[Signature]</i> 11/8/06		JSA 96312 A4	
				enr	<i>[Signature]</i> 11/8/06		type Product Customer Drawing	
				chr	<i>R. Show</i> 11/9/06			
				app	<i>S. Audum</i> 11/9/06			
sheet index	revision	B	sheet 1					Rev. B



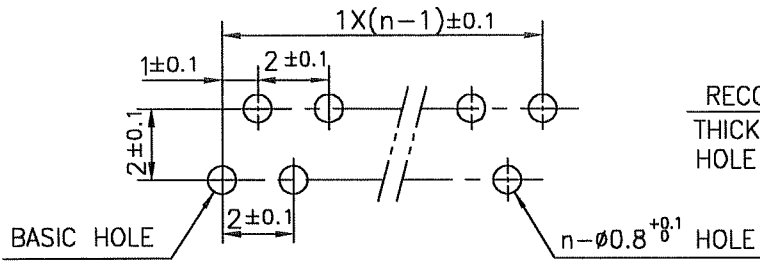
FCIconnect.com

Copyright FCI.



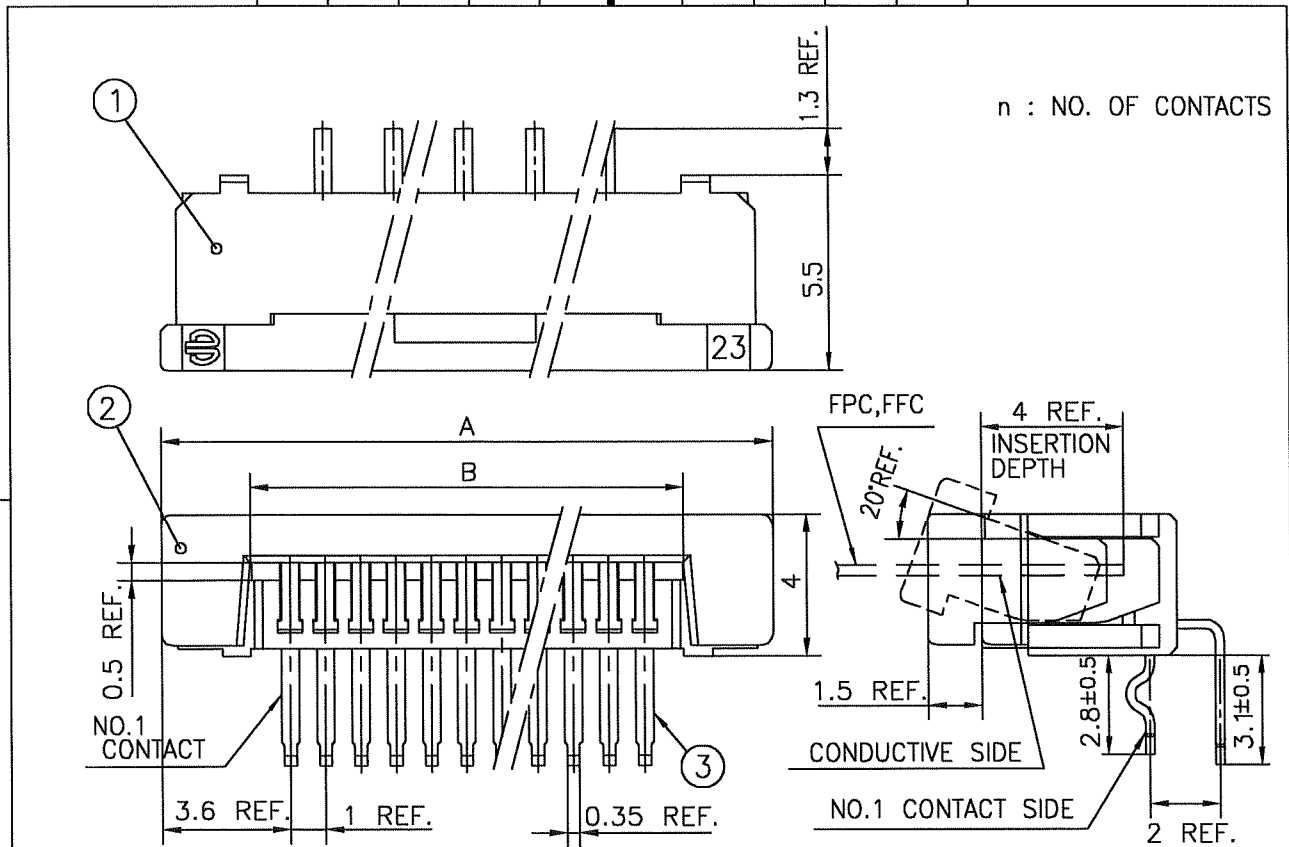
1. THIS PRODUCT MEETS EUROPEAN UNION DIRECTIVES AND OTHER COUNTRY REGULATIONS AS DESCRIBED IN GS-22-008
2. THE HOUSING WILL WITHSTAND EXPOSURE TO 260°C PEAK TEMPERATURE FOR 10 SECONDS IN A WAVE SOLDER APPLICATION WITH A 1.6mm THICK CIRCUIT BOARD.

PT.NO.	PARTS NAME	MATERIAL	Q'TY	NOTE
1	HOUSING	NYLON RESIN GLASS REINFORCED (UL94V-0)	1	COLOR : BLACK
2	SLIDER		1	
3	CONTACT	PHOSPHOR BRONZE	n	PLATING :GOLD PLATING



RECOMMENDED PC BOARD THICKNESS : 0.8~1.6 HOLE PATTERN (COMPONENT SIDE)

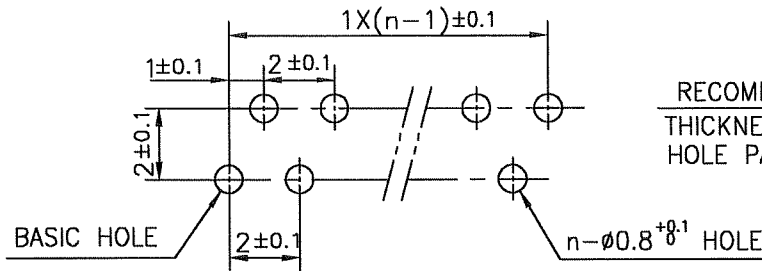
mat'l. code				surface ISO 1302 ✓	tolerance ISO 406 ISO 1101	projection	product family 58JF	CODE JP
ltr	ecn no	dr	date	tolerances unless otherwise specified		mm	title	
A	J05-0079	H.T	'05/2/18	angles	linear		1mm SPACING CONNECTOR (Cat. No. SLW__S-1C7BLF)	
B	J05-0734	H.T	10/28/'05					
C	J06-0459	H.T	11/8/'06			scale		
				dr		FCJ	sheet 1 of 1 size	
				enr			JSA 96313 A4	
				chr			type Product Customer Drawing	
				app				
sheet index	revision sheet	C	1					Rev. C



1. THIS PRODUCT MEETS EUROPEAN UNION DIRECTIVES AND OTHER COUNTRY REGULATIONS AS DESCRIBED IN GS-22-008

2. THE HOUSING WILL WITHSTAND EXPOSURE TO 260°C PEAK TEMPERATURE FOR 10 SECONDS IN A WAVE SOLDER APPLICATION WITH A 1.6mm THICK CIRCUIT BOARD.

PT.NO.	PARTS NAME	MATERIAL	Q'TY	NOTE
1	HOUSING	NYLON RESIN GLASS REINFORCED (UL94V-0)	1	COLOR : BLACK
2	SLIDER		1	
3	CONTACT	PHOSPHOR BRONZE	n	PLATING : GOLD PLATING



RECOMMENDED PC BOARD THICKNESS : 0.8~1.6 HOLE PATTERN (COMPONENT SIDE)

mat'l. code				surface ISO 1302 ✓	tolerance ISO 406 ISO 1101	projection	product family 58TF	CODE JP	
ltr	ecn no	dr	date	tolerances unless otherwise specified		mm	title		
A	J05-0079	H.T	'05/2/18	angles	linear		1mm SPACING CONNECTOR (Cat. No. SLW_R-1C7BLF)		
B	J05-0734	H.T	10/28/'05						
C	J06-0459	H.T	11/8/'06			scale \times	sheet 1 of 1 size A4		
				dr	<i>[Signature]</i> 11/8/06		dwg no JSA 96314		
				enr	<i>[Signature]</i> 11/8/06		type Product Customer Drawing		
				chr	<i>[Signature]</i> 11/9/06				
				app	<i>[Signature]</i> 11/9/06				
sheet index	revision	C	1						Rev. C

SC-SLW05 JSA96312 form: A4

Mouser Electronics

Authorized Distributor

Click to View Pricing, Inventory, Delivery & Lifecycle Information:

[FCI / Amphenol:](#)

[SLW12S-1C7BLF](#) [SLW18R-1C7ALF](#) [SLW20R-1C7ALF](#) [SLW5R-1C7ALF](#)