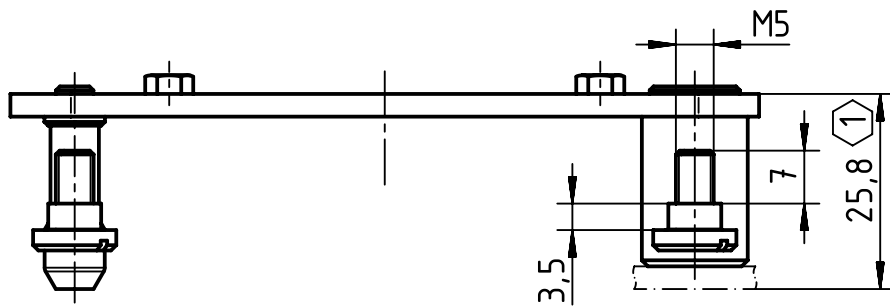
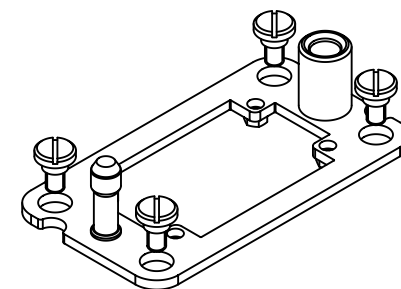
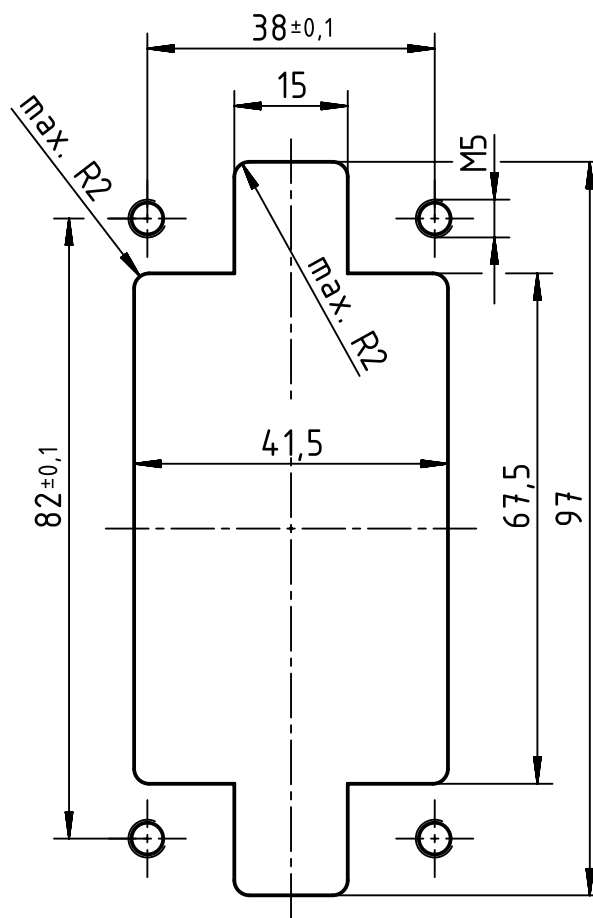


panel cut out



① distance for electrical and FOC contacts max. 27mm for pneumatic contacts max. 26,5mm

kind of delivery: piece parts

	All Dimensions in mm Original Size DIN A4		Scale 1:1	Free size tol.		Ref.
	All rights reserved Department EL PD - DE		Created by RULLKOETTER	Inspected by MOOR	Standardisation TIEMANNA	Sub.
HARTING Electric GmbH & Co. KG D-32339 Espelkamp			Title <b>Han 10B Docking Frame</b>			Date 2015-04-17
			Number <b>09 30 010 1701</b>		State Final Release	Doc-Key / ECM-Nr. 100128232/UGD/005/D 500000088271
			Type TB			Rev. <b>D</b>
						Page 1/1

# Mouser Electronics

Authorized Distributor

Click to View Pricing, Inventory, Delivery & Lifecycle Information:

[HARTING:](#)

[09300101701](#)