

LOC	DIST	REVISIONS					
AI		P	LTR	DESCRIPTION	DATE	DWN	APVD
		A2		REVISED PER ECO-11-005294	06APR11	RK	HMR

Kundenzeichnung für
PN 1393450-3

EC Nr. V23542-C1052-B102

siehe C-1411344


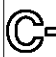
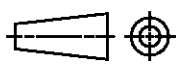
RELEASED FOR PUBLICATION

ALL RIGHTS RESERVED.

THIS DRAWING IS UNPUBLISHED.

BY



DIMENSIONS: mm		DWN P. Spohr 26.10.01	 TE Connectivity				
TOLERANCES UNLESS OTHERWISE SPECIFIED:		CHK B. Leonhardt 26.10.01					
 0 PLC ±- 1 PLC ±- 2 PLC ±- 3 PLC ±- 4 PLC ±- ANGLES ±- 		APVD S. Glaser 26.10.01	NAME 52 pol. Abdeckkappe fuer 80 pol. Motorstecker				
		PRODUCT SPEC	RESTRICTED TO				
		APPLICATION SPEC	SIZE A4	CAGE CODE 00779	DRAWING NO  1393450-3		
		WEIGHT	SCALE				
		CUSTOMER DRAWING			SHEET 1 OF 1	REV A2	

Mouser Electronics

Authorized Distributor

Click to View Pricing, Inventory, Delivery & Lifecycle Information:

[TE Connectivity:](#)

[V23542C1052B102](#)