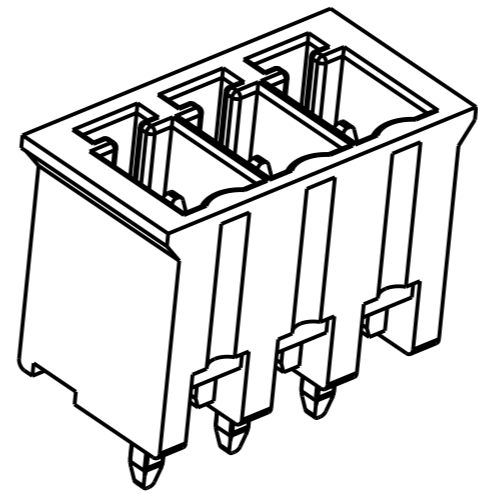
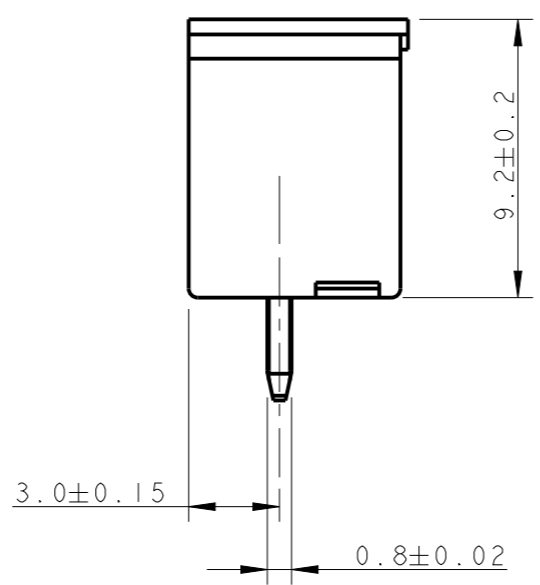
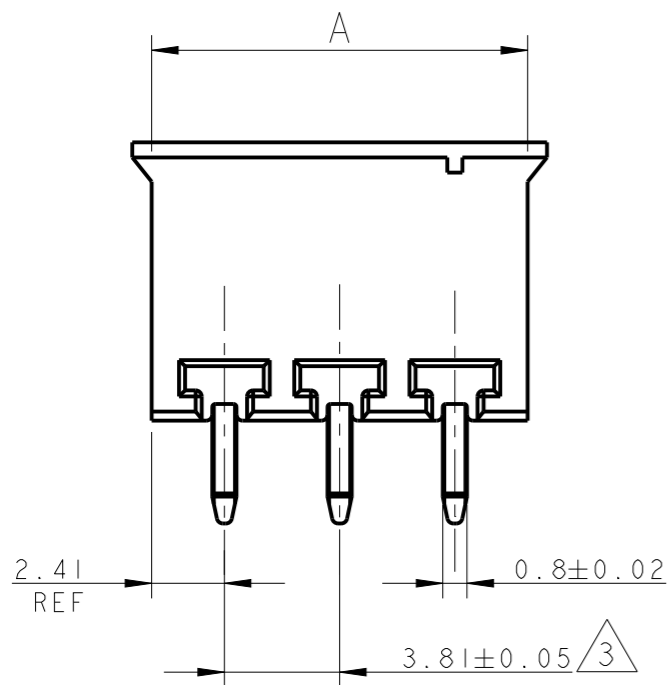


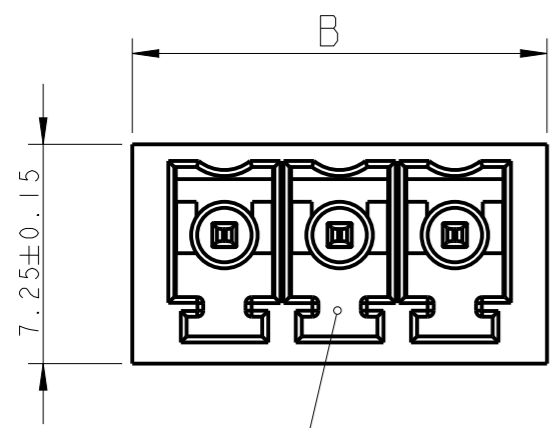
THIS DRAWING IS UNPUBLISHED. RELEASED FOR PUBLICATION 20
 © COPYRIGHT 20 BY - ALL RIGHTS RESERVED.

REVISIONS

P	LTR	DESCRIPTION	DATE	DWN	APVD
	C2	REVISED PER ECO-14-015436	13OCT2014	NK	MM



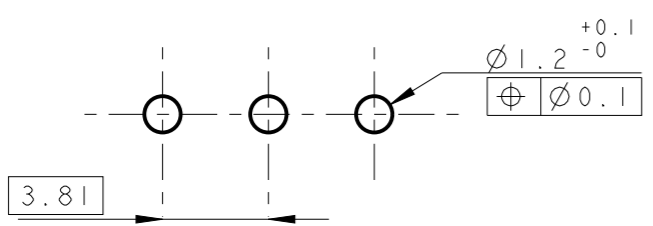
284517-3 AS SHOWN



POLARIZATION KEY SLOT

- 1 MATERIALS AND FINISH
 HOUSING : PA 6.6, UL 94-V0, COLOR GREEN
 TERMINAL : PHOSPHOR BRONZE, TIN PLATED
- 2 SUITABLE FOR 1.6-2.4 mm. PC BOARD THICKNESS
- 3 NOT CUMULATIVE TOLERANCE
- 4 HOUSING: PA 6.6, UL 94-V0, COLOR:RED
- 5 PRELIMINARY - NOT RELEASED FOR PRODUCTION

5	4	B	A	NO OF POS	PART NUMBER
17.53	16.25	4		2	284517-2
17.53	16.25	4		3	284517-3
17.53	16.25	4		4	284517-4
17.53	16.25	4		5	284517-5
17.53	16.25	4		6	284517-6
17.53	16.25	4		7	284517-7
17.53	16.25	4		8	284517-8
17.53	16.25	4		9	284517-9
17.53	16.25	4		10	284517-0
17.53	16.25	4		11	284517-1
17.53	16.25	4		12	284517-2
17.53	16.25	4		13	284517-3
17.53	16.25	4		14	284517-4
17.53	16.25	4		15	284517-5
17.53	16.25	4		16	284517-6
17.53	16.25	4		17	284517-7
17.53	16.25	4		18	284517-8
17.53	16.25	4		19	284517-9
17.53	16.25	4		20	284517-0
17.53	16.25	4		21	284517-1
17.53	16.25	4		22	284517-2
17.53	16.25	4		23	284517-3
17.53	16.25	4		24	284517-4
17.53	16.25	4		25	284517-5
17.53	16.25	4		26	284517-6
17.53	16.25	4		27	284517-7
17.53	16.25	4		28	284517-8
17.53	16.25	4		29	284517-9
17.53	16.25	4		30	284517-0
17.53	16.25	4		31	284517-1
17.53	16.25	4		32	284517-2
17.53	16.25	4		33	284517-3
17.53	16.25	4		34	284517-4
17.53	16.25	4		35	284517-5
17.53	16.25	4		36	284517-6
17.53	16.25	4		37	284517-7
17.53	16.25	4		38	284517-8
17.53	16.25	4		39	284517-9
17.53	16.25	4		40	284517-0
17.53	16.25	4		41	284517-1
17.53	16.25	4		42	284517-2
17.53	16.25	4		43	284517-3
17.53	16.25	4		44	284517-4
17.53	16.25	4		45	284517-5
17.53	16.25	4		46	284517-6
17.53	16.25	4		47	284517-7
17.53	16.25	4		48	284517-8
17.53	16.25	4		49	284517-9
17.53	16.25	4		50	284517-0
17.53	16.25	4		51	284517-1
17.53	16.25	4		52	284517-2
17.53	16.25	4		53	284517-3
17.53	16.25	4		54	284517-4
17.53	16.25	4		55	284517-5
17.53	16.25	4		56	284517-6
17.53	16.25	4		57	284517-7
17.53	16.25	4		58	284517-8
17.53	16.25	4		59	284517-9
17.53	16.25	4		60	284517-0
17.53	16.25	4		61	284517-1
17.53	16.25	4		62	284517-2
17.53	16.25	4		63	284517-3
17.53	16.25	4		64	284517-4
17.53	16.25	4		65	284517-5
17.53	16.25	4		66	284517-6
17.53	16.25	4		67	284517-7
17.53	16.25	4		68	284517-8
17.53	16.25	4		69	284517-9
17.53	16.25	4		70	284517-0
17.53	16.25	4		71	284517-1
17.53	16.25	4		72	284517-2
17.53	16.25	4		73	284517-3
17.53	16.25	4		74	284517-4
17.53	16.25	4		75	284517-5
17.53	16.25	4		76	284517-6
17.53	16.25	4		77	284517-7
17.53	16.25	4		78	284517-8
17.53	16.25	4		79	284517-9
17.53	16.25	4		80	284517-0
17.53	16.25	4		81	284517-1
17.53	16.25	4		82	284517-2
17.53	16.25	4		83	284517-3
17.53	16.25	4		84	284517-4
17.53	16.25	4		85	284517-5
17.53	16.25	4		86	284517-6
17.53	16.25	4		87	284517-7
17.53	16.25	4		88	284517-8
17.53	16.25	4		89	284517-9
17.53	16.25	4		90	284517-0
17.53	16.25	4		91	284517-1
17.53	16.25	4		92	284517-2
17.53	16.25	4		93	284517-3
17.53	16.25	4		94	284517-4
17.53	16.25	4		95	284517-5
17.53	16.25	4		96	284517-6
17.53	16.25	4		97	284517-7
17.53	16.25	4		98	284517-8
17.53	16.25	4		99	284517-9
17.53	16.25	4		100	284517-0



RECOMMENDED PC BOARD LAYOUT

THIS DRAWING IS A CONTROLLED DOCUMENT.		DWN E. ZANOLINI 06FEB2002	TE Connectivity	
DIMENSIONS: mm		CHK E. ZANOLINI 06FEB2002		
TOLERANCES UNLESS OTHERWISE SPECIFIED:		APVD D. BIEVENOUR 06FEB2002	NAME TERMINAL BLOCK, HEADER ASSEMBLY STRAIGHT, CLOSED ENDS 3.81mm PITCH	
0 PLC ±-		PRODUCT SPEC 108-20166	SIZE A300779	
1 PLC ±0.30		APPLICATION SPEC 114-20079	DRAWING NO C-284517	
2 PLC ±0.25		WEIGHT -	RESTRICTED TO -	
3 PLC ±-		CUSTOMER DRAWING	SCALE 4:1	
4 PLC ±-			SHEET 1 OF 1	
ANGLES ±2°		REV C2		
MATERIAL	FINISH			

Mouser Electronics

Authorized Distributor

Click to View Pricing, Inventory, Delivery & Lifecycle Information:

[TE Connectivity:](#)

[1-284517-0](#)