

4

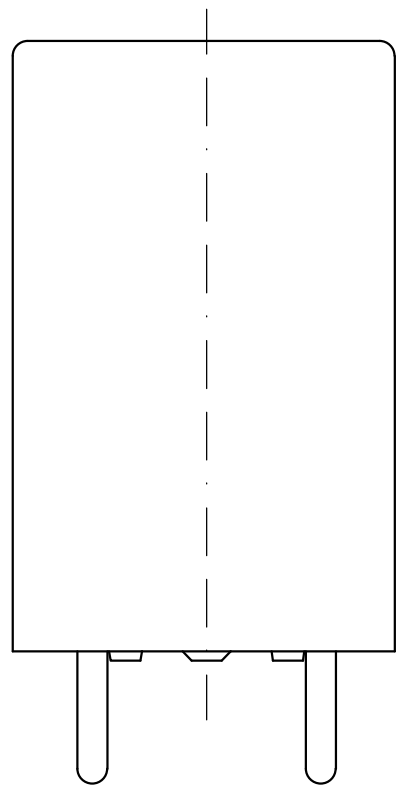
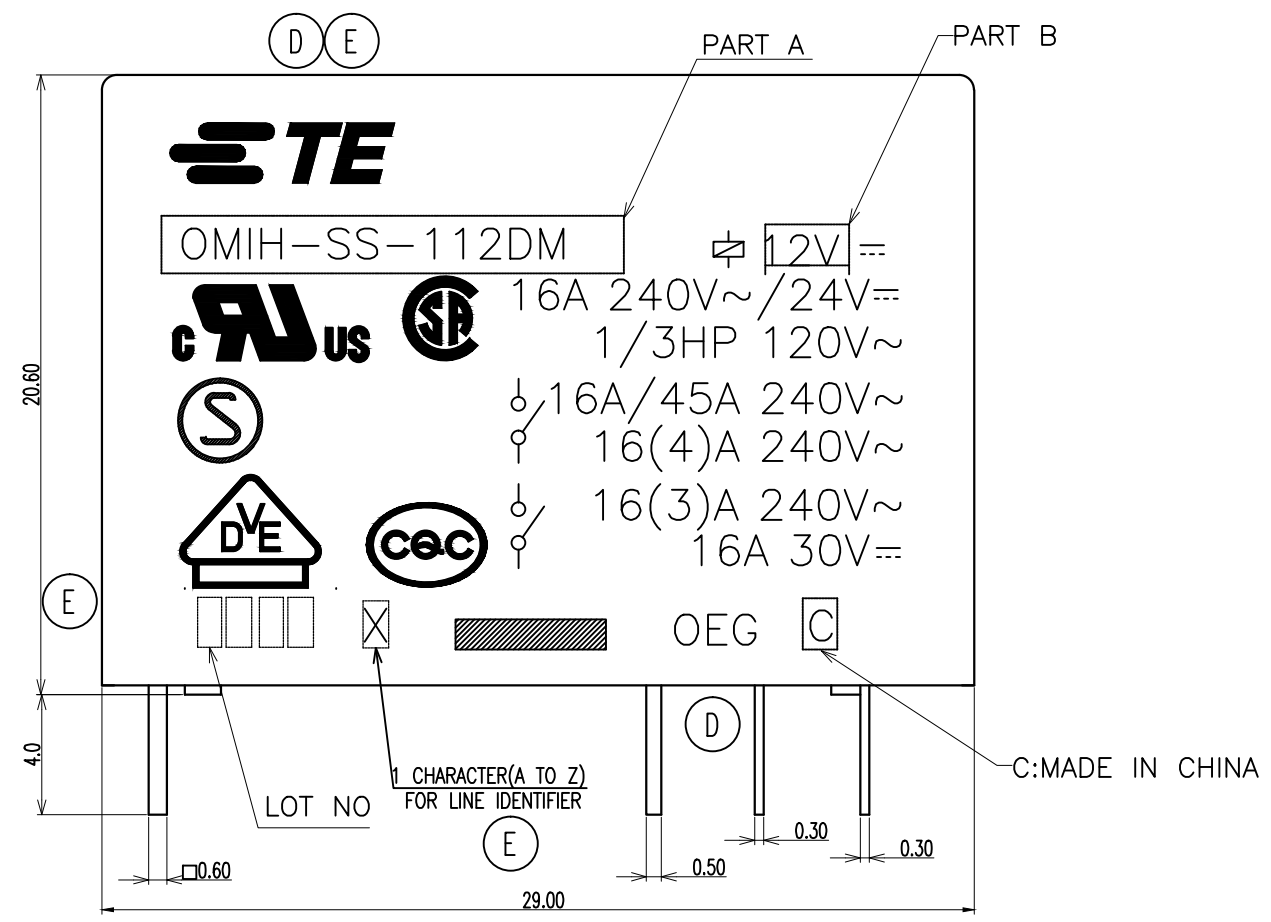
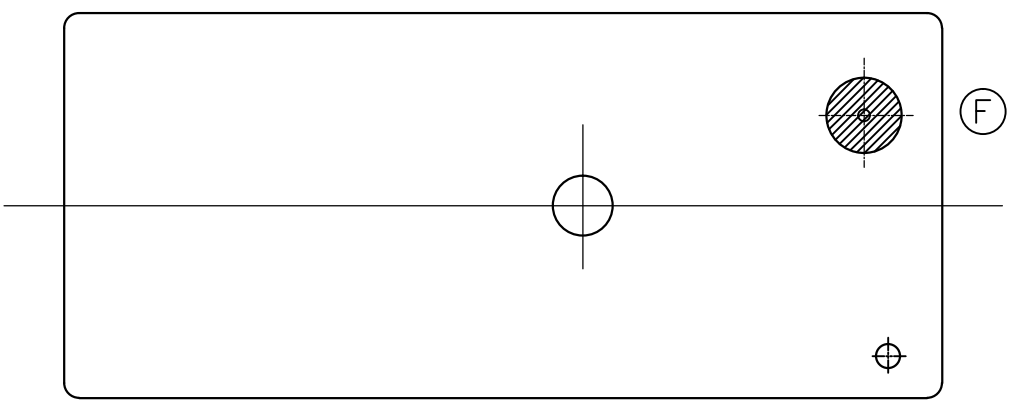
3

2

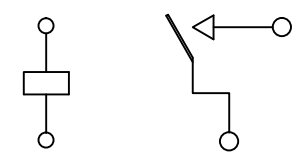
1

THIS DRAWING IS UNPUBLISHED. RELEASED FOR PUBLICATION
 © COPYRIGHT - By - ALL RIGHTS RESERVED.

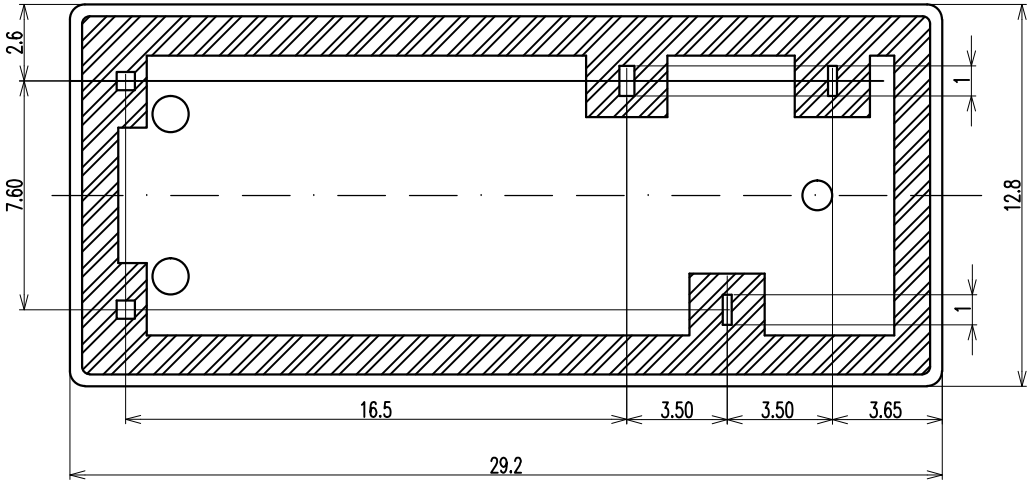
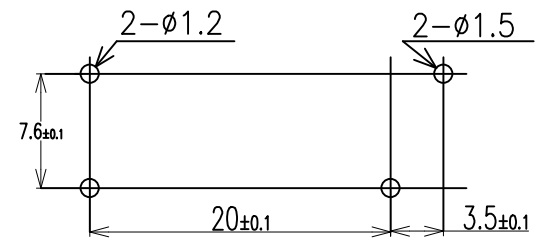
LOC	DIST	REVISIONS						
		P	LTR	DESCRIPTION	DATE	DWN	APVD	
HB	-		E	1.CHANGE LOGO, 2.VENT HOLE SHAPE; 3.ADD TERMINALS PLATING THICKNESS LINE IDENTIFIER	ECO-12-005725	26-JUL-12	D.L	BH.Y
			F	CHANGE THE VENT HOLE SHAPE FROM RECTANGLE TO CIRCLE ONE	ECO-13-015347	16-DEC-13	XL,Y	B,F



CONNECTION DIAGRAM (BOTTOM VIEW)



DRILLING DIAGRAM(2/1) (BOTTOM VIEW)



THIS DRAWING IS A CONTROLLED DOCUMENT.		DWN	-		
		CHK	Y.Xiao		
		APVD	N.Funayama		
		PRODUCT SPEC	CH.HSU		
		APPLICATION SPEC	-		
		WEIGHT	-		
		CUSTOMER DRAWING	-		
DIMENSIONS: mm		TOLERANCES UNLESS OTHERWISE SPECIFIED:		NAME	
		0 PLC ±		TE Connectivity	
		1 PLC ±		OMIH(1T) D/L CUSTOMER DRAWING	
		2 PLC ±		SIZE	
		3 PLC ±		CAGE CODE	
		4 PLC ±		DRAWING NO	
		ANGLES ±		RESTRICTED TO	
MATERIAL		FINISH		-	
		-		A300779	
		-		C=5-1419121-9	
		-		SCALE 4:1	
		-		SHEET 1 OF 2	
		-		REV F	

THIS DRAWING IS UNPUBLISHED.

RELEASED FOR PUBLICATION

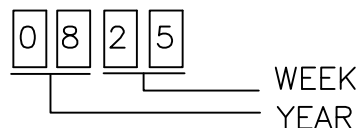
© COPYRIGHT - By -

ALL RIGHTS RESERVED.

LOC	DIST	REVISIONS					
		P	LTR	DESCRIPTION	DATE	DWN	APVD
HB	-						

NOTES:

(A1) 1.LOT NO. SYSTEM AS FOLLOWING:



2.GENERAL TOLERANCE AS FOLLOWING:

TOLERANCE	
0~0.99mm	±0.1
1mm~2.99mm	±0.2
3mm MIN.	±0.3

3.TERMINAL DIMENSION IS NOT INCLUDING SOLDER TIP.

(E) 4.FOR THE TIN-PLATING OF THE PINS:
+0.1mm FOR WIDTH,THICKNESS AND DIAMETER.
+0.5mm FOR LENGTH.

7-1440000-6	OMIH-SH-148L	OMIH-SH-148L	48V
0-1440007-7	OMIH-SH-124L	OMIH-SH-124L	24V
5-1419121-9	OMIH-SH-112L	OMIH-SH-112L	12V
1-1419145-7	OMIH-SH-112D	OMIH-SH-112D	12V
TE PART NO	DESCRIPTION	PART A	PART B

RELAY TYPE

		UV RESIN	UV SEAL	18
		—	TAPE	17
		EPOXY RESIN	SEAL	16
UL94 V-0		PBT	CASE	15
CLASS E		UEW	MAGNETIC WIRE	14
UL94 V-0		PET	BASE	13
UL94 V-0		PBT	BOBBIN	12
	SOLDER DIP	CP WIRE	COIL TERMINAL	11
UL94 V-0		PPS	CARD	10
		Ag ALLOY	MOVABLE CONTACT	9
		Ag ALLOY	STATIONARY CONTACT	8
		Cu ALLOY	HINGE SPRING	7
	SOLDER DIP	Cu ALLOY	B TERMINAL	6
	SOLDER DIP	Cu ALLOY	M TERMINAL	5
	SOLDER DIP	Cu ALLOY	MOVABLE SPRING	4
		STEEL	CORE	3
		STEEL	ARMATURE	2
		STEEL	YOKE	1
INCOMBUSTIBILITY	TREATMENT	MATERIAL	DESCRIPTION	ITEM

THIS DRAWING IS A CONTROLLED DOCUMENT.		DWN Y.Xiao	TE Connectivity		
DIMENSIONS: mm		CHK N.Funayama			
TOLERANCES UNLESS OTHERWISE SPECIFIED:		APVD CH.HSU	NAME OMIH(1T) D/L CUSTOMER DRAWING		
		PRODUCT SPEC —	SIZE A3		
MATERIAL		APPLICATION SPEC —	CAGE CODE 00779	DRAWING NO C-5-1419121-9	RESTRICTED TO —
FINISH —		WEIGHT	SCALE 4:1		
		CUSTOMER DRAWING	SHEET 2 of 2		REV F

Mouser Electronics

Authorized Distributor

Click to View Pricing, Inventory, Delivery & Lifecycle Information:

[TE Connectivity:](#)

[8-1440000-3](#)