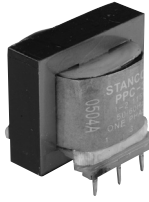


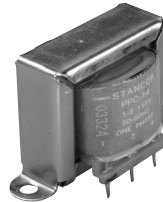
PRINTED CIRCUIT TRANSFORMERS

Plug-In Printed Circuit Series

PC Type



APC Type



* Agency Certification Note: UL Recognized (File E68100)

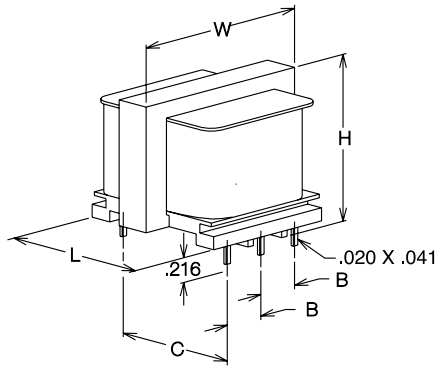
All Single Primaries are 115V 50/60Hz, 6 Pins

All Dual Primaries are 115/230V 50/60Hz, 8 Pins

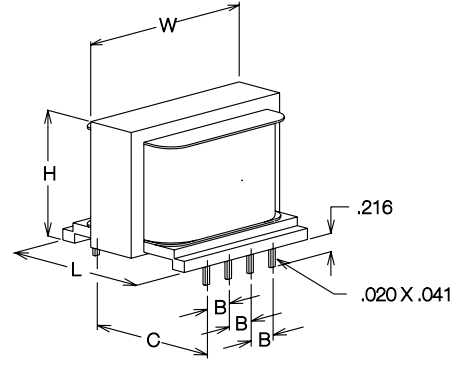


Sec.	STANCOR PART NUMBER	Style	Primary Winding	VA	Rated Output						DIMENSIONS - INCHES						Weight (lbs.)	Agency-Certif.		
					AC/DC	Individual Volts	mA	Series Volts	mA	Parallel Volts	mA	H	W	L	ML	A			B	C
A	PPC-1	PC	Single	1.5	AC	4.0	188	8.0 C.T.	188	4.0	376	1.19	1.41	1.16	-	-	0.31	1.00	0.22	
	PPC-2	PC	Single	1.5	AC	7.5	100	15.0 C.T.	100	7.5	200	1.19	1.41	1.16	-	-	0.31	1.00	0.22	
	PPC-46	PC	Dual	1.5	AC	7.5	100	15.0 C.T.	100	7.5	200	1.19	1.41	1.16	-	-	0.20	1.00	0.22	
	PPC-3	PC	Single	1.5	AC	15.0	50	30.0 C.T.	50	15.0	100	1.19	1.41	1.16	-	-	0.31	1.00	0.22	
	PPC-8	PC	Dual	1.5	AC	15.0	50	30.0 C.T.	50	15.0	100	1.19	1.41	1.16	-	-	0.20	1.00	0.22	
B	PPC-18	APC	Dual	4.5	AC	6.3	350	12.6 C.T.	350	6.3	700	1.44	2.38	1.25	2.00	-	0.25	1.10	0.47	
	PPC-19	APC	Dual	4.5	AC	8.0	280	16.0 C.T.	280	8.0	560	1.44	2.38	1.25	2.00	-	0.25	1.10	0.47	
C	PPC-20	APC	Dual	4.5	AC	12.0	180	24.0 C.T.	180	12.0	360	1.44	2.38	1.25	2.00	-	0.25	1.10	0.47	
	PPC-17	APC	Single	4.5	AC	20.0	112	40.0 C.T.	112	20.0	224	1.44	2.38	1.25	2.00	-	0.40	1.10	0.47	
	PPC-14	APC	Single	4.5	AC	27.0	84	54.0 C.T.	84	27.0	168	1.44	2.38	1.25	2.00	-	0.40	1.10	0.47	
D	PPC-23	APC	Single	7.5	AC	15.0	250	30.0 C.T.	250	15.0	500	1.63	2.81	1.47	2.38	-	0.40	1.30	0.66	
	PPC-58	PC	Dual	24.0	AC	12.0	1000	24.0 C.T.	1000	12.0	2000	1.44	1.63	2.31	-	-	0.25	2.11	0.90	

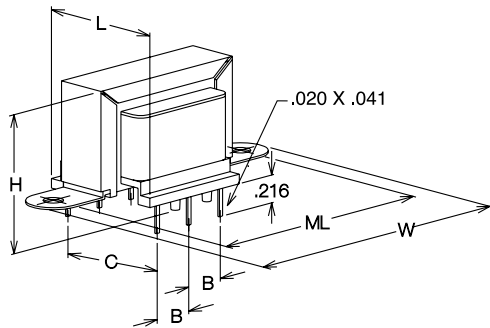
PC Style (Single)



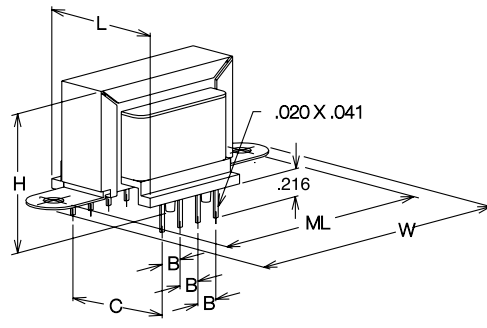
PC Style (Dual)



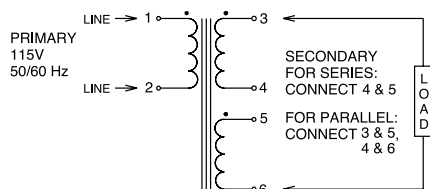
APC Style (Single)



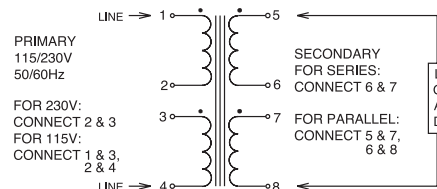
APC Style (Dual)



Single Input



Dual Input



Mouser Electronics

Authorized Distributor

Click to View Pricing, Inventory, Delivery & Lifecycle Information:

[White-Rodgers:](#)

[PPC-19](#) [PPC-18](#) [PPC-8](#)