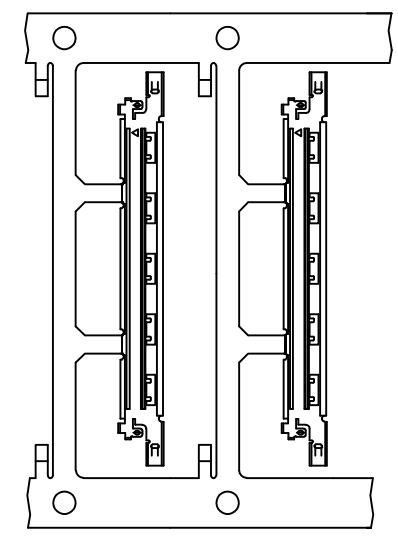
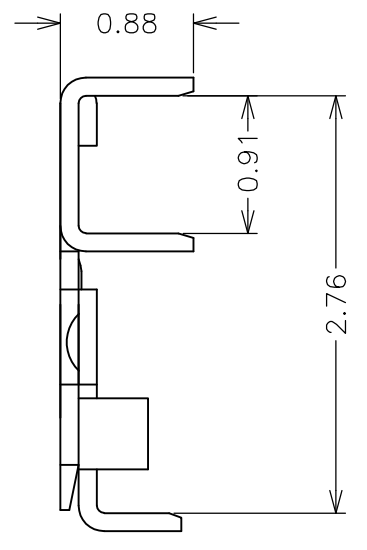
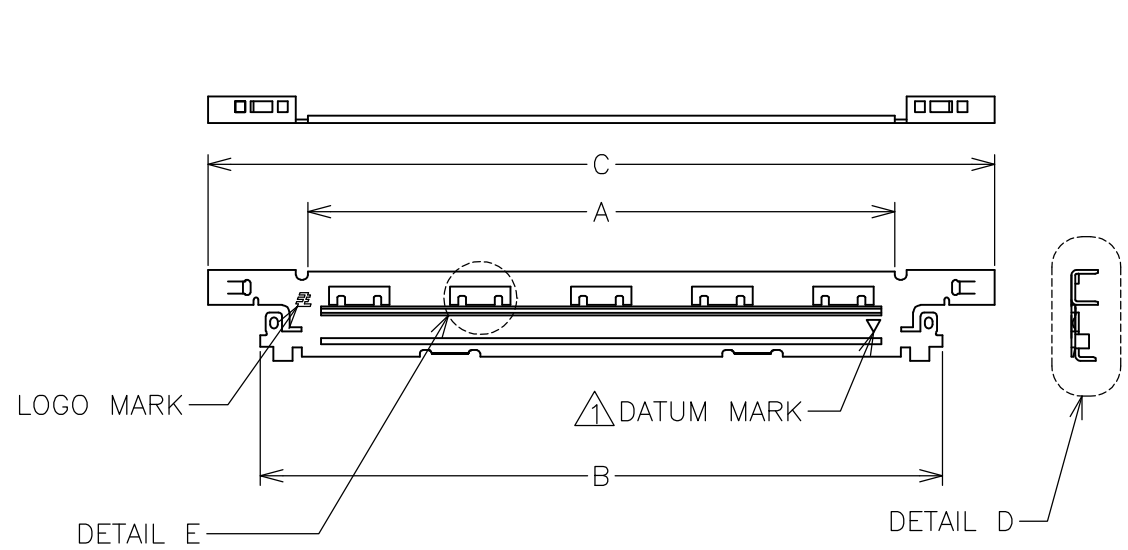
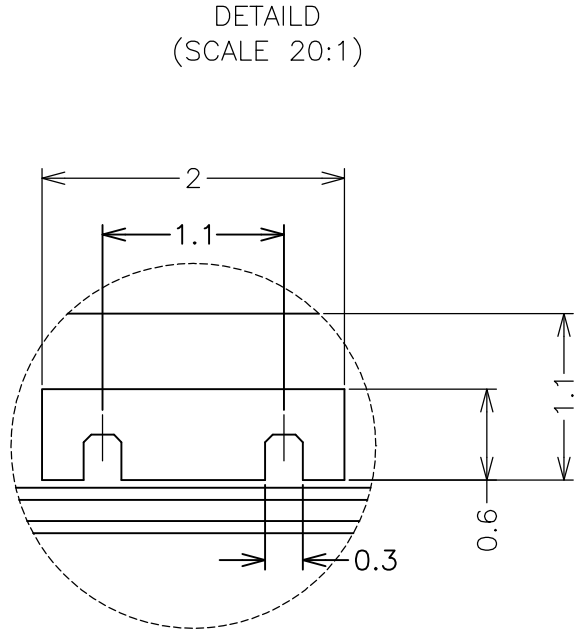
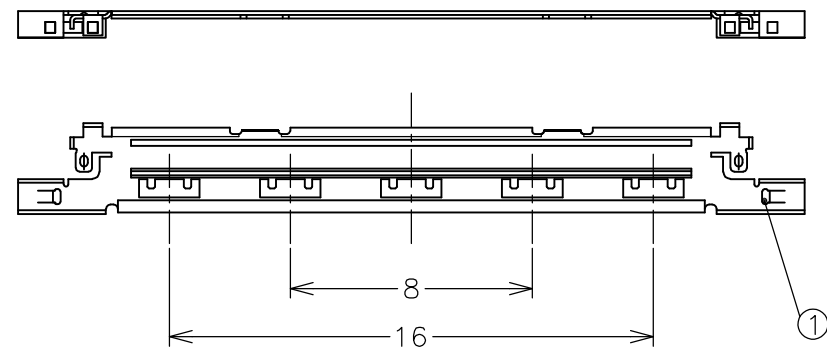


THIS DRAWING IS UNPUBLISHED.		RELEASED FOR PUBLICATION				
© COPYRIGHT - BY TYCO ELECTRONICS CORPORATION.		ALL RIGHTS RESERVED.				
PART NO.	POS NO.	A	B	C	DATUM MARK $\triangle$	TOOLING STATUS
2023347-3	40	19.4	22.56	26	WITHOUT DATUM MARK	AVAILABLE
2023347-2	30	14.4	17.56	21		NOT AVAILABLE
2023347-1	20	9.4	12.56	16		NOT AVAILABLE
5-2023347-3	40	19.4	22.56	26	WITH DATUM MARK	AVAILABLE
5-2023347-2	30	14.4	17.56	21		NOT AVAILABLE
5-2023347-1	20	9.4	12.56	16		NOT AVAILABLE

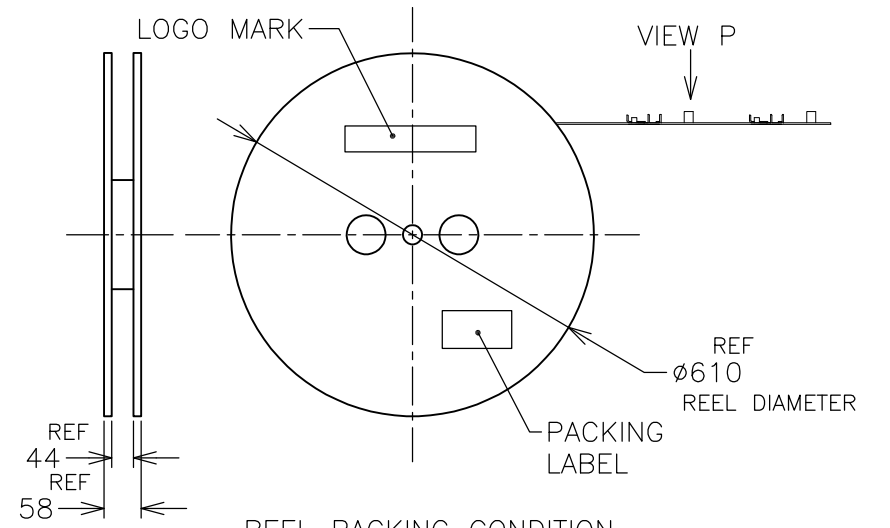
LOC	DIST	P	LTR	DESCRIPTION	DATE	DWN	APVD
J	/		A	RELEASED	18SEP2009	Y.S	S.K



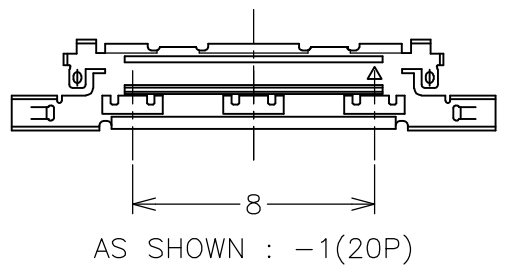
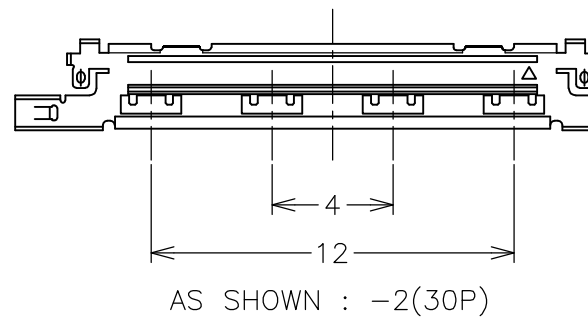
VIEW P  
(SCALE 2:1)



DETAIL E  
(SCALE 20:1)



REEL PACKING CONDITION  
(SCALE REF.)



GENERAL TOLERANCE	
6 MAX.	±0.2
6 OVER MAX. 30	±0.3
30 OVER MAX. 120	±0.5
ANGLE	±2°

①	UPPER SHELL	COPPER ALLOY, Au OVER Ni
ITEM	PART NAME	MATERIAL & FINISH $\triangle$

THIS DRAWING IS A CONTROLLED DOCUMENT.		DWN Y.SHINO 18SEP2009	Tyco Electronics Corporation Kawasaki, Japan													
DIMENSIONS: 単位: 耗 mm		CHK S.KAJINUMA 18SEP2009														
TOLERANCES UNLESS OTHERWISE SPECIFIED: 一般公差		APVD S.KAJINUMA 18SEP2009	NAME 名称													
<table border="1"> <tr><td>0 RLC</td><td>±</td></tr> <tr><td>1 PLC</td><td>±</td></tr> <tr><td>2 PLC</td><td>±</td></tr> <tr><td>3 PLC</td><td>±</td></tr> <tr><td>4 PLC</td><td>±</td></tr> <tr><td>ANGLES</td><td>±</td></tr> </table>		0 RLC	±	1 PLC	±	2 PLC	±	3 PLC	±	4 PLC	±	ANGLES	±	PRODUCT SPEC 製品規格 108-78659	LCD COAXIAL EMBEDDED DISPLAY INTERFACE (LCEDI) 0.5mm PITCH CONNECTOR PLUG UPPER SHELL	
0 RLC	±															
1 PLC	±															
2 PLC	±															
3 PLC	±															
4 PLC	±															
ANGLES	±															
MATERIAL 材料		APPLICATION SPEC 取付適用規格 114-5456	SIZE A3	CAGE CODE 00779												
FINISH 仕上		WEIGHT	DRAWING NO 番号 G-2023347	RESTRICTED TO												
		CUSTOMER DRAWING	SCALE 尺度 4:1	SHEET 1 OF 1												
				REV A												

# Mouser Electronics

Authorized Distributor

Click to View Pricing, Inventory, Delivery & Lifecycle Information:

[TE Connectivity:](#)

[5-2023347-2](#)